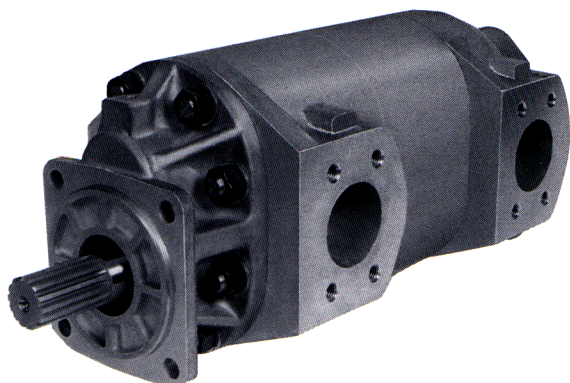


# Model TP25



Description . . . . . Gear Pumps (Two-place)  
 Flow Range . . . . . To 208 GPM  
 Displacements . . . . . To 19.22 C.I.R.  
 Maximum Pressure to . . . . . 2500 PSI  
 Maximum Speed to . . . . . 2500 RPM  
 Rotation . . . . . A or C  
 Bearings . . . . . Journal  
 Construction . . . . . Aluminum  
 Cast Iron Available—Consult Factory

## Performance Data

PUMP MODEL	SECTION SIZE	DISPLACEMENT/REVOLUTION (Theoretical)					MAXIMUM PRESSURE		MAXIMUM SPEED
		US Gallons	Cubic Inches	Liters	Cubic Centimeters	Imperial Gallons	PSI	BAR	RPM
TP25	550	.0479	11.06	.1812	181.241	.040	2500	172	2500
TP25	660	.0581	13.42	.2200	219.915	.048	2500*	172*	2500
TP25	770	.0671	15.50	.2540	254.400	.056	2500*	172*	2500
TP25	950	.0832	19.22	.3150	314.960	.069	2500*	172*	2500

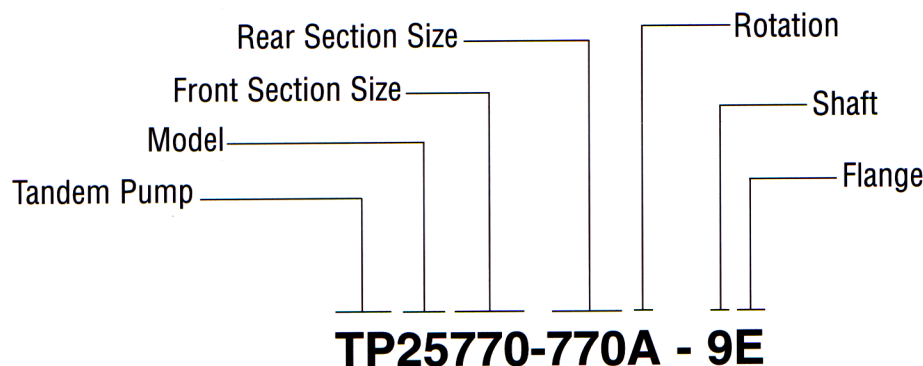
Available with Viton Seals for use with phosphate ester base fluids. All data based on SAE 10W oil at 150°F.  
 Cast-iron not available on all models. Consult factory for availability.  
 \*Consult factory for application approval.

**CAUTION:** "Inlet vacuum" should not exceed 5" Hg at normal operating speed and temperature. Operation of pumps in excess of 5" Hg requires factory approval.

When sizing pumps, refer to the performance charts in the back of the catalog to determine the volumetric efficiency and input horsepower requirements.

## How To Order

'A' denotes counterclockwise rotation  
 'C' denotes clockwise rotation  
 When viewed from drive shaft end



Note: Add prefix 'V' to pump model number (VTP25) when ordering pumps with Viton Seals for use with phosphate ester base fluids.  
 Add prefix 'F' to pump model number (TFP25) when ordering pumps with cast iron construction.

# Shafts Available

**4** **1-1/2" 17 Tooth Spline**  
**Flat Root Side Fit**  
 Torque limit 1180 Lbs. Ft. (1600,0 Nm)

**Spline Data**  
 Diametral Pitch ..... 12/24  
 Pressure Angle ..... 30°  
 No. Of Teeth ..... 17

**7** **1-1/2" Dia. Straight Shaft**  
 Torque limit 1180 Lbs. Ft. (1600,0 Nm)

**8** **1-1/2" Dia. Straight Shaft**  
 Torque limit 1180 Lbs. Ft. (1600,0 Nm)

**9** **1-1/2" 14 Tooth Spline**  
**Flat Root Side Fit**  
 Torque limit 1180 Lbs. Ft. (1600,0 Nm)

**Spline Data**  
 Diametral Pitch ..... 10/20  
 Pressure Angle ..... 300°  
 No. Of Teeth ..... 14

# Mounting Flanges Available

**E** **SAE 'C' 4-Bolt**

**F** **SAE 'C' 2-Bolt**

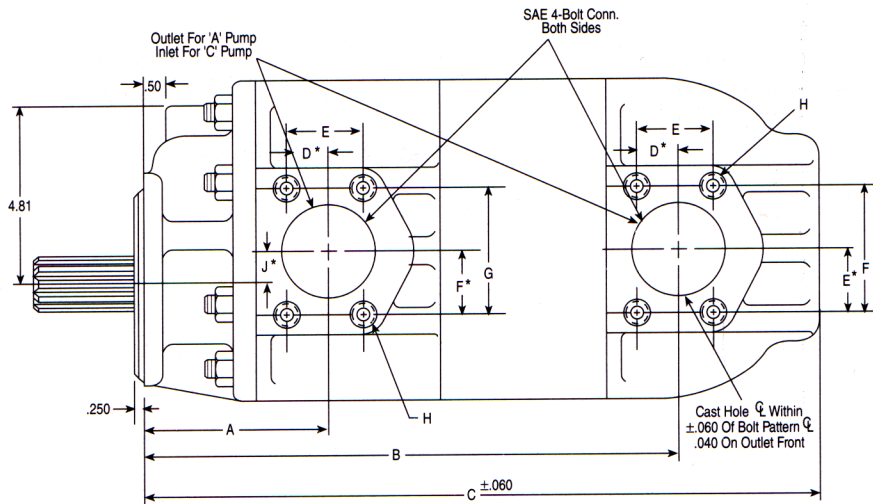
# Dimensional Data

## Mounting Dimensions

PUMP SIZE	For 'C' 2-Bolt & 'C' 4-Bolt Flg.			SAE 4-Bolt Conn. Port For Both Sections		Connector Hole Diameter			
	A	B	C			Front		Rear	
				Inlet	Outlet	Inlet	Outlet	Inlet	Outlet
TP25550 - 550 A & C	5.06 (128,5)	14.81 (376,1)	18.56 (471,4)	2-1/2"	1-1/2"	2.50 (63,5)	1.68 (42,6)	2.50 (63,5)	1.50 (38,1)
TP25660 - 550 A & C	5.43 (137,9)	15.23 (482,0)	18.98 (482,0)	2-1/2"	1-1/2"	2.50 (63,5)	1.68 (42,6)	2.50 (63,5)	1.50 (38,1)
TP25660 - 660 A & C	5.43 (137,9)	15.48 (488,4)	19.23 (488,4)	2-1/2"	1-1/2"	2.50 (63,5)	1.68 (42,6)	2.50 (63,5)	1.50 (38,1)
TP25770 - 550 A & C	5.81 (147,5)	15.60 (491,3)	19.35 (491,3)	2-1/2"	1-1/2"	2.50 (63,5)	1.68 (42,6)	2.50 (63,5)	1.50 (38,1)
TP25770 - 660 A & C	5.81 (147,5)	15.85 (497,8)	19.60 (497,8)	2-1/2"	1-1/2"	2.50 (63,5)	1.68 (42,6)	2.50 (63,5)	1.50 (38,1)
TP25770 - 770 A & C	5.81 (147,5)	16.10 (504,1)	19.85 (504,1)	2-1/2"	1-1/2"	2.50 (63,5)	1.68 (42,6)	2.50 (63,5)	1.50 (38,1)

## SAE 4-Bolt Connector Ports

Size	D	E	F	G	H	J	
						'A' Rotation	'C' Rotation
1-1/2"	.70 (19,7)	1.406 (35,7)	1.37 (34,7)	2.750 (69,8)	1/2-13NC	1.50 (38,1)	1.00 (25,4)
2-1/2"	1.00 (25,4)	2.000 (50,8)	1.75 (44,4)	3.500 (88,9)	1/2-13NC	1.50 (38,1)	1.00 (25,4)



\* These dimensions locate  $\phi$  of bolt pattern only

SAE 4-Bolt NPT Connectors are available. See Accessory Section

