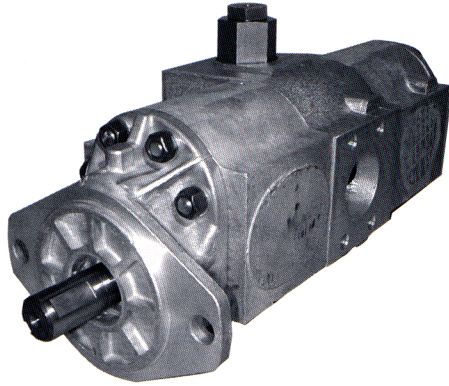


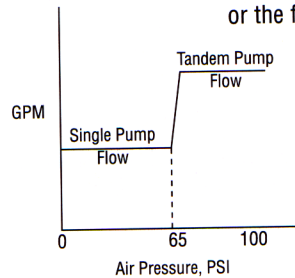
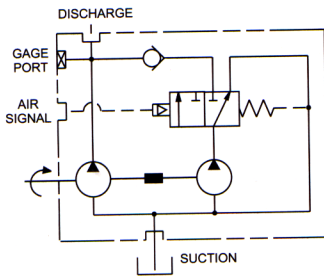
Model PSH20



Description Air Actuated Summation Pump
 Combined Flow Range To 197 GPM (745.7 LTR.)
 Displacements To 9.10 IN³ Each Section (149.12 CC's/REV.)
 Maximum Pressure to 2500 PSI (172 BAR)
 Maximum Speed to 2500 RPM
 Rotation A or C
 Bearings Journal
 Construction Aluminum

Tandem Pump With Air-Operated Unloading Valve

This tandem pump with air-actuated unloading valve is commonly used to select either the combined flow rate of both pump sections, or the flow rate of only one pump section.



Performance Data

PUMP MODEL	SECTION SIZE	DISPLACEMENT/REVOLUTION (Theoretical)					MAXIMUM PRESSURE		MAXIMUM SPEED
		US Gallons	Cubic Inches	Liters	Cubic Centimeters	Imperial Gallons	PSI	BAR	RPM
PSH20	150	.0131	3.02	.0496	49.489	.0108	2500	172	2500
PSH20	200	.0175	4.04	.0662	66.204	.0146	2500	172	2500
PSH20	250	.0219	5.06	.0829	82.919	.0182	2500	172	2500
PSH20	300	.0262	6.05	.0992	99.142	.0218	2500	172	2500
PSH20	350	.0306	7.07	.1158	115.857	.0255	2500	172	2500
PSH20	400	.0350	8.08	.1325	132.408	.0292	2500	172	2500
PSH20	450	.0394	9.10	.1491	149.123	.0328	2500	172	2500

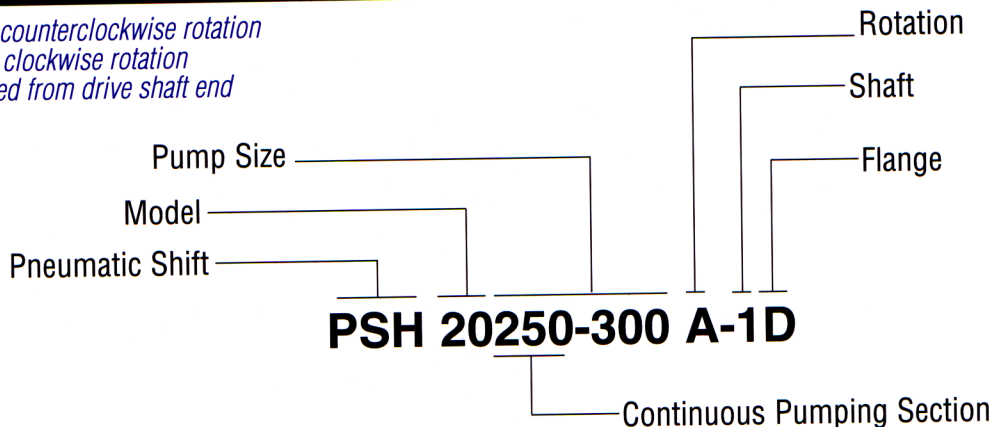
All data based on SAE 10W oil at 150°F. Available with Viton Seals for use with phosphate ester based fluid.

CAUTION: "Inlet vacuum" should not exceed 5" Hg at normal operating speed and temperature. Operation of pumps in excess of 5" Hg requires factory approval.

When sizing pumps, refer to the performance charts in the back of the catalog to determine the volumetric efficiency and input horsepower requirements.

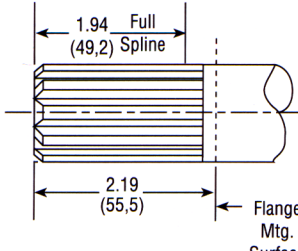
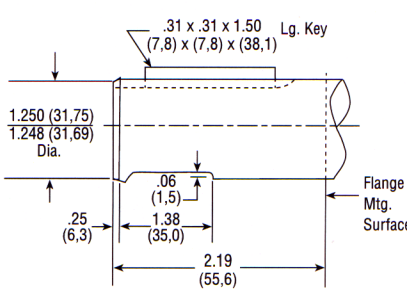
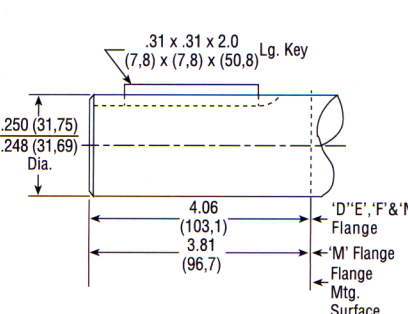
How To Order

'A' denotes counterclockwise rotation
 'C' denotes clockwise rotation
 When viewed from drive shaft end

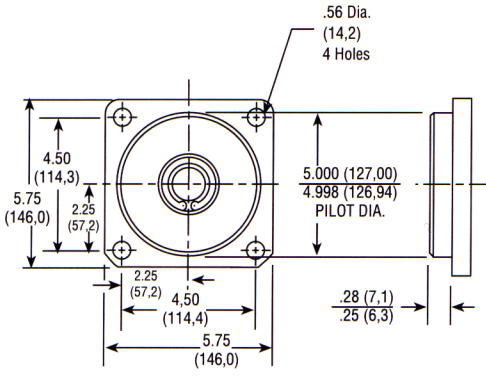
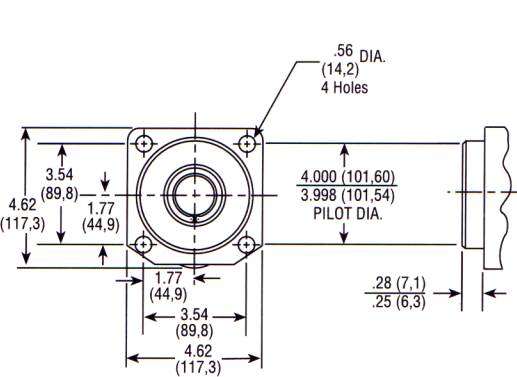
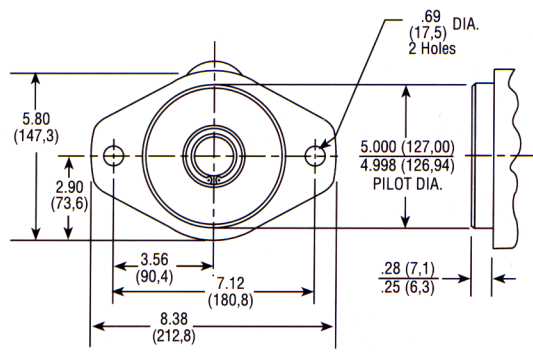
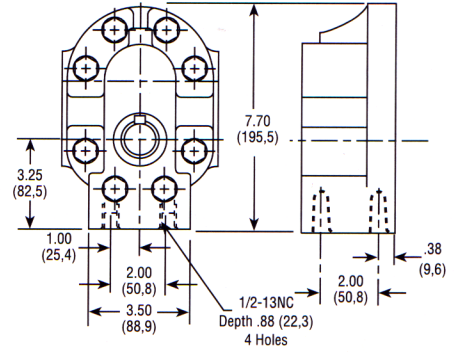


Note: Add prefix 'V' to pump model number (VPSH20) when ordering pumps with Viton Seals for use with phosphate ester base fluids.

Shafts Available

<p>1 SAE 'C' 1-1/4" 14-Tooth Spline Torque limit 655 Lbs. Ft. (888, Nm) "Tandem" Pumps only</p>  <p>Spline Data Diametral Pitch 12/24 Pressure Angle 30° No. Of Teeth 14</p>	<p>3 SAE 'C' 1-1/4" Straight Shaft Torque limit 655 Lbs. Ft. (888, Nm) Available on all sizes</p> 	<p>5 1-1/4" Straight Shaft Torque limit 655 Lbs. Ft. (888, Nm) Available on all sizes</p> 
---	--	---

Mounting Flanges Available

<p>D SAE 'C' 4-Bolt</p> 	<p>E SAE 'B' 4-Bolt</p> 
<p>F SAE 'C' 2-Bolt</p> 	<p>M Pad Mount</p> 



See "General Product & Safety Information" on inside front cover of this catalog



Dimensional Data

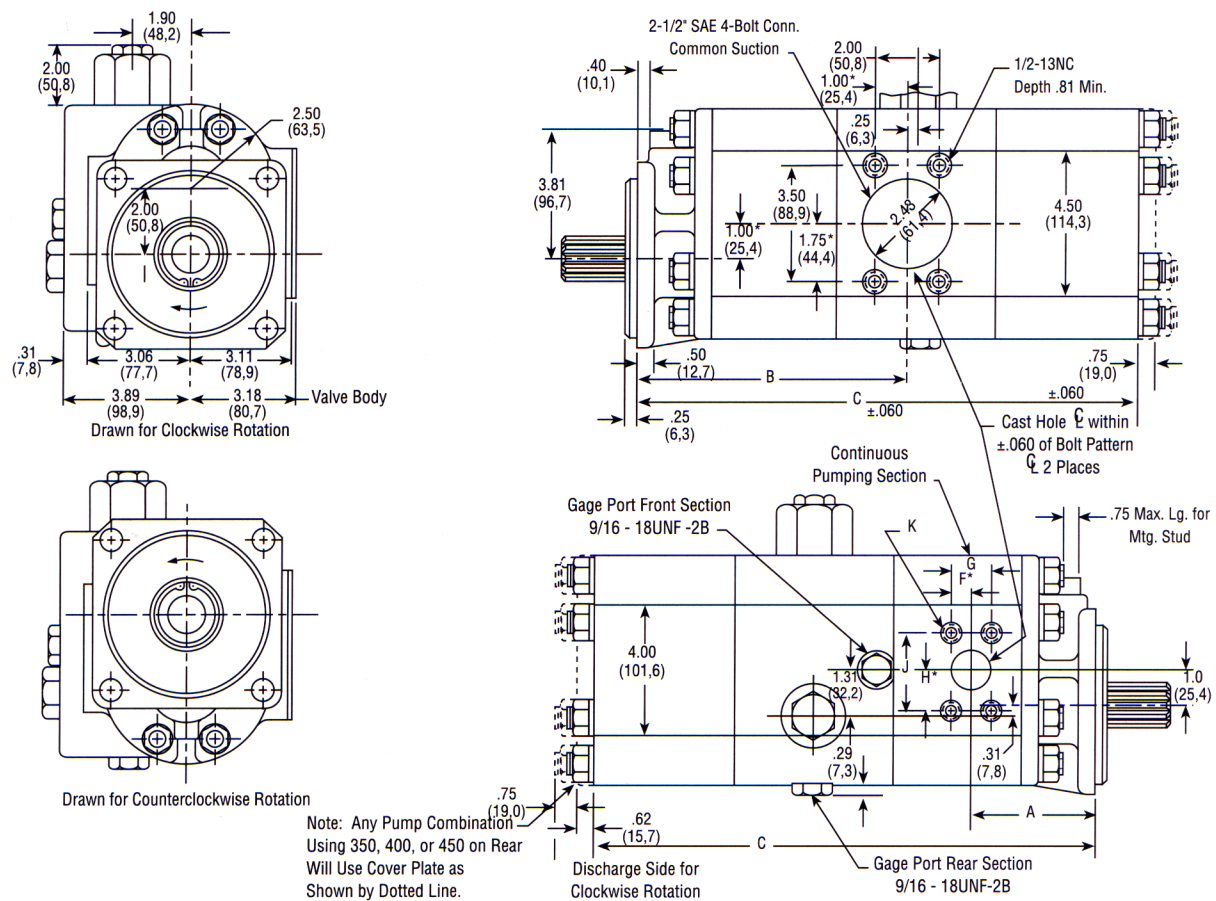
Mounting Dimensions

FRONT SECTION SIZE	REAR SECTION SIZE	DISCHARGE Front Section			SHIPPING WEIGHTS (Approx.)			
		Conn. Size	Hole Dia.	A	B	C	lbs.	kgs.
PSH20150	—150	1"	.93 (23,6)	3.60 (91,4)	7.68 (195,0)	13.86 (352,0)	56	20.9
	—200	1"	.93 (23,6)	3.60 (91,4)	7.68 (195,0)	14.64 (371,8)	57	21.3
	—250	1"	.93 (23,6)	3.60 (91,4)	7.68 (195,0)	15.04 (382,0)	58	21.7
	—300	1"	.93 (23,6)	3.60 (91,4)	7.68 (195,0)	15.32 (389,1)	60	22.4
	—350	1"	.93 (23,6)	3.60 (91,4)	7.68 (195,0)	14.93 (379,2)	62	23.1
	—400	1"	.93 (23,6)	3.60 (91,4)	7.68 (195,0)	15.21 (386,3)	64	23.9
	—450	1"	.93 (23,6)	3.60 (91,4)	7.68 (195,0)	15.50 (393,7)	66	24.6
	PSH20200	—200	1-1/2"	1.19 (30,2)	3.75 (95,2)	8.47 (215,1)	15.43 (391,9)	59
—250		1-1/2"	1.19 (30,2)	3.75 (95,2)	8.47 (215,1)	15.83 (402,0)	60	22.4
—300		1-1/2"	1.19 (30,2)	3.75 (95,2)	8.47 (215,1)	16.11 (409,1)	62	23.1
—350		1-1/2"	1.19 (30,2)	3.75 (95,2)	8.47 (215,1)	15.72 (399,2)	64	23.9
—400		1-1/2"	1.19 (30,2)	3.75 (95,2)	8.47 (215,1)	16.00 (406,4)	66	24.6
—450		1-1/2"	1.19 (30,2)	3.75 (95,2)	8.47 (215,1)	16.29 (413,7)	68	25.4
PSH20250	—250	1-1/2"	1.19 (30,2)	4.00 (101,6)	8.75 (222,2)	16.11 (409,1)	62	23.1
	—300	1-1/2"	1.19 (30,2)	4.00 (101,6)	8.75 (222,2)	16.39 (416,3)	64	23.9
	—350	1-1/2"	1.19 (30,2)	4.00 (101,6)	8.75 (222,2)	16.00 (406,4)	66	24.6
	—400	1-1/2"	1.19 (30,2)	4.00 (101,6)	8.75 (222,2)	16.28 (413,5)	68	25.4
	—450	1-1/2"	1.19 (30,2)	4.00 (101,6)	8.75 (222,2)	16.57 (420,8)	70	26.1
	PSH20300	—300	1-1/2"	1.19 (30,2)	4.14 (105,1)	9.03 (229,3)	16.67 (423,4)	68
—350		1-1/2"	1.19 (30,2)	4.14 (105,1)	9.03 (229,3)	16.28 (413,5)	70	26.1
—400		1-1/2"	1.19 (30,2)	4.14 (105,1)	9.03 (229,3)	16.56 (420,6)	72	26.9
—450		1-1/2"	1.19 (30,2)	4.14 (105,1)	9.03 (229,3)	16.85 (427,9)	74	27.6
PSH20350		—350	1-1/2"	1.19 (30,2)	4.35 (110,4)	9.32 (236,7)	16.57 (420,8)	72
	—400	1-1/2"	1.19 (30,2)	4.35 (110,4)	9.32 (236,7)	16.85 (427,9)	74	27.6
	—450	1-1/2"	1.19 (30,2)	4.35 (110,4)	9.32 (236,7)	17.14 (435,3)	76	28.4
PSH20400	—400	1-1/2"	1.25 (31,7)	4.35 (110,4)	9.60 (243,8)	17.13 (435,1)	76	28.4
	—450	1-1/2"	1.25 (31,7)	4.35 (110,4)	9.60 (243,8)	17.42 (442,4)	78	29.1
PSH20450	—450	1-1/2"	1.25 (31,7)	4.66 (118,3)	9.89 (251,2)	17.71 (449,8)	80	29.9

SAE 4-Bolt Connector Ports

Size	F	G	H	J	K
1"	.51 (12,9)	1.03 (26,1)	1.03 (26,1)	2.06 (52,3)	3/8-16NC
1-1/2"	.70 (17,7)	1.40 (35,7)	1.37 (34,7)	2.75 (69,3)	1/2-13NC
2-1/2"	1.00 (25,4)	2.50 (50,8)	1.75 (44,4)	3.50 (88,9)	1/2-13NC

Dimensional Data



* These dimensions locate \varnothing of bolt pattern only

SAE 4-Bolt NPT Connectors are available. See Accessory Section



See "General Product & Safety Information" on inside front cover of this catalog

