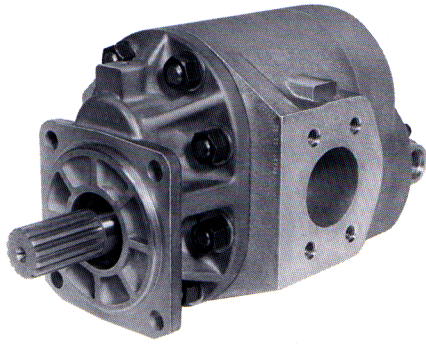


Model PB25



Description. Gear Pumps
 Flow Range To 167 GPM (632.1 LTR.)
 Displacements . To 15.50 C.I.R. (254.40 CC's/REV.)
 Maximum Pressure to. 3000 PSI (207 BAR)
 Maximum Speed to. 2500 RPM
 Rotation A or C
 Bearings Journal
 Construction Aluminum

Performance Data

PUMP MODEL	SECTION SIZE	DISPLACEMENT/REVOLUTION (Theoretical)					MAXIMUM PRESSURE		MAXIMUM SPEED
		US Gallons	Cubic Inches	Liters	Cubic Centimeters	Imperial Gallons	PSI	BAR	RPM
		25	350	.0306	7.07	.1158	115.857	.025	3000
25	400	.0350	8.08	.1324	132.408	.029	3000	207	2500
25	450	.0394	9.10	.1491	149.123	.033	3000	207	2500
25	500	.0435	10.05	.1647	164.690	.036	2500	172	2500
25	550	.0479	11.06	.1812	181.241	.040	2500	172	2500
25	660	.0581	13.42	.2200	219.915	.048	2500*	172*	2500
25	770	.0671	15.50	.2540	254.400	.056	2500*	172*	2500

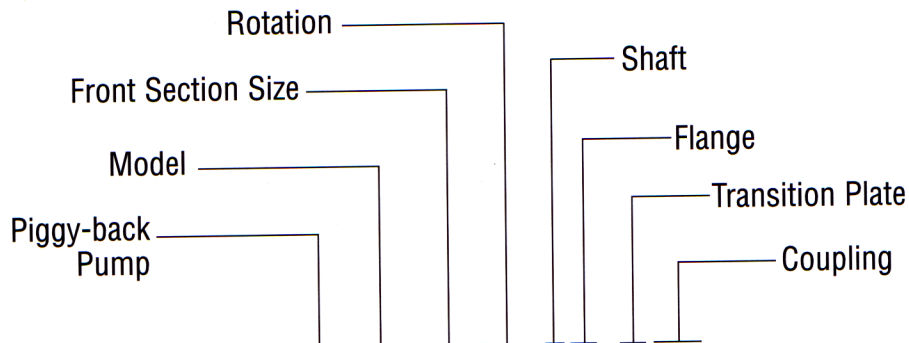
Available with Viton Seals for use with phosphate ester base fluids. All data based on SAE 10W oil at 150 °F.
 *Consult factory for application approval.

CAUTION: "Inlet vacuum" should not exceed 5" Hg at normal operating speed and temperature. Operation of pumps in excess of 5" Hg requires factory approval.

When sizing pumps, refer to the performance charts in the back of the catalog to determine the volumetric efficiency and input horsepower requirements.

How To Order

'A' denotes counterclockwise rotation
 'C' denotes clockwise rotation
 When viewed from drive shaft end



PB25660A-9E-B75-

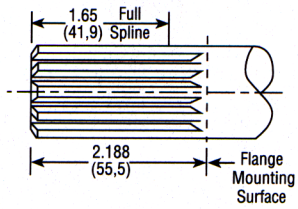
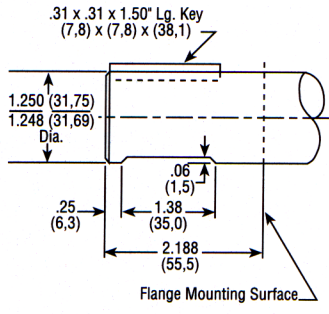
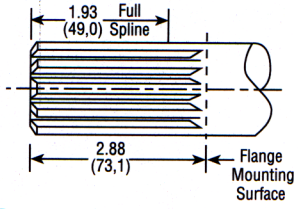
Insert Model of Rear Pump Selected**

Note: Front section, rear pump, and coupling will be furnished as separate items for assembly by customer.

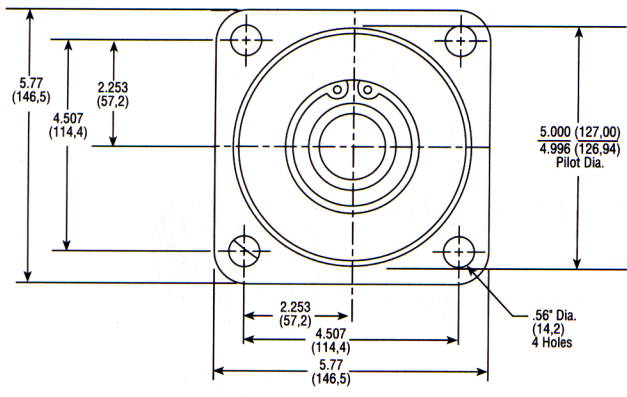
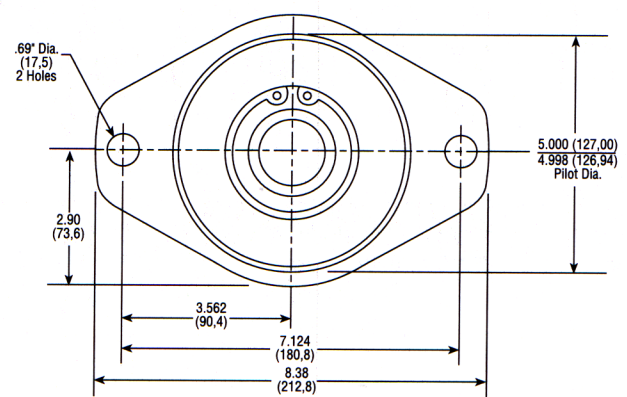
**Refer to specific pump brochures for data on rear pumps.

Note: Add prefix 'V' to pump model number (VPB25) when ordering pumps with Viton Seals for use with phosphate ester base fluids.

Shafts Available

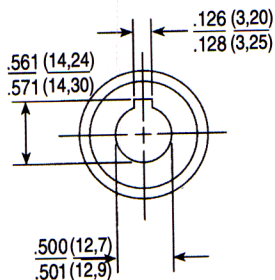
<p>1 SAE 'C' 1-1/4" 14 Tooth Spline Flat Root Side Fit Torque Limit 655 Lbs. Ft. (888,0 Nm)</p>  <p>Spline Data Diametral Pitch 12/24 Pressure Angle 30° No. Of Teeth 14</p>	<p>7 1-1/2" Dia. Straight Shaft Torque Limit 1180 Lbs. Ft. (1600,0 Nm)</p>  <p>Spline Data Diametral Pitch 10/20 Pressure Angle 30° No. Of Teeth 14</p>	<p>9 1-1/2" 14 Tooth Spline Flat Root Side Fit Torque Limit 1180 Lbs. Ft. (1600,0 Nm)</p>  <p>Spline Data Diametral Pitch 10/20 Pressure Angle 30° No. Of Teeth 14</p>
--	---	--

Mounting Flanges Available

<p>E SAE 'C' 4-Bolt</p> 	<p>F SAE 'C' 2-Bolt</p> 
--	--

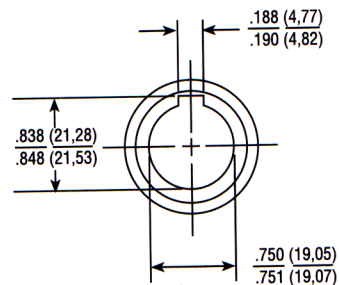
Couplings Available

50 1/2" Straight



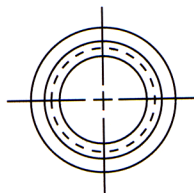
Kit No. 13974

75 3/4" Straight



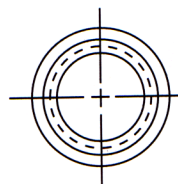
Kit No. 13975

88 7/8" 13 Tooth Spline



Kit No. 13976

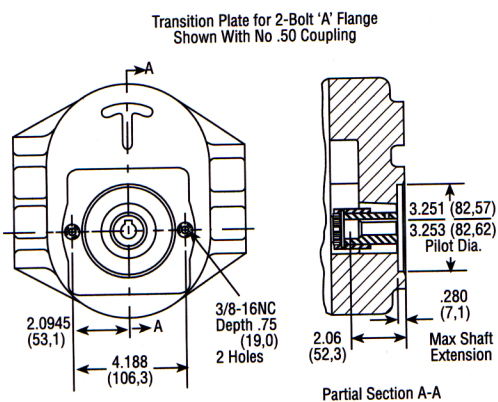
125 1-1/4" 14 Tooth Spline



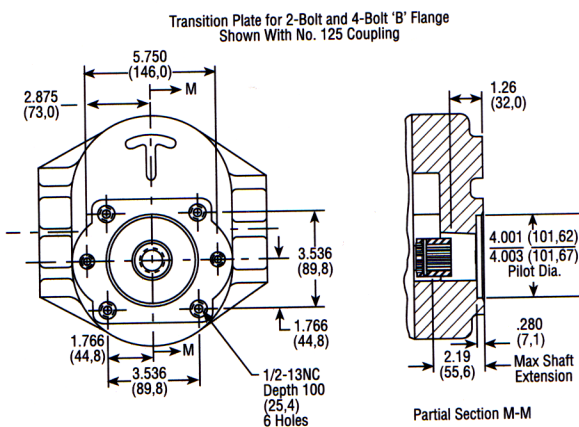
Kit No. 13978

Transition Plates Available

A SAE 'A' 2-Bolt Shown with No. 50 Coupling



B SAE 'B' 2 & 4-Bolt Shown with No. 125 Coupling



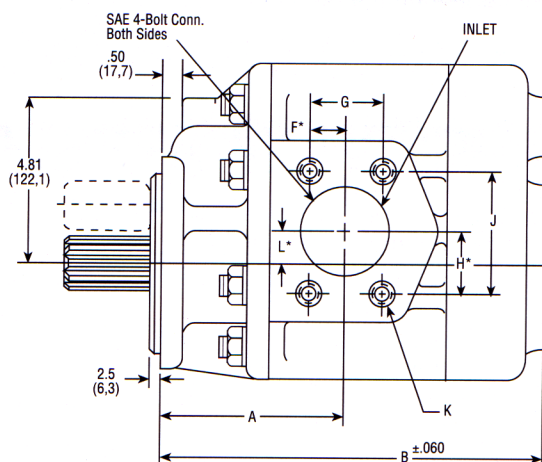
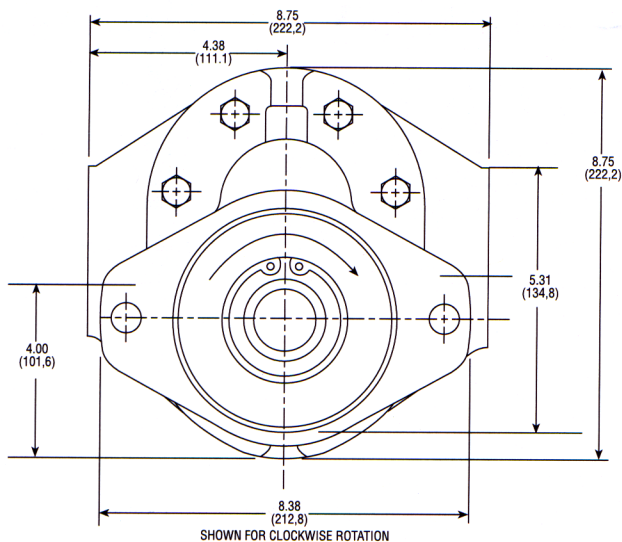
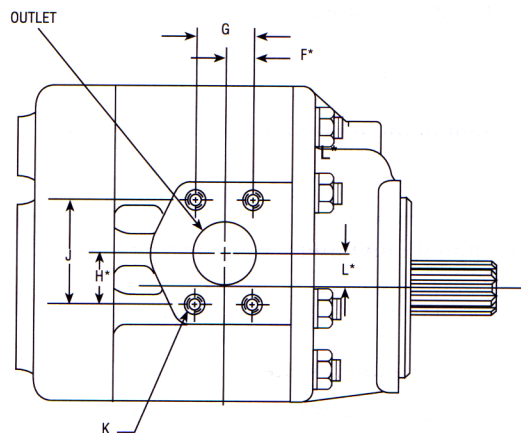
Dimensional Data

Mounting Dimensions

PUMP SIZE	For 'C' 2-Bolt & 'C' 4-Bolt Flg.		SAE 4-Bolt Conn. Port		L		Shipping Weights (Approx.)	
	A	B	Suction	Disc.	A Rotation	C Rotation	lbs.	kgs.
PB25350	4.88 (123,9)	10.49 (266,4)	2-1/2"	1-1/2"	1.50 (38,1)	1.00 (25,4)	52	19.40
PB25400	5.06 (128,9)	10.67 (271,0)	2-1/2"	1-1/2"	1.50 (38,1)	1.00 (25,4)	54	20.16
PB25450	5.06 (128,9)	10.67 (271,0)	2-1/2"	1-1/2"	1.50 (38,1)	1.00 (25,4)	56	20.90
PB25500	4.88 (123,9)	10.49 (266,4)	2-1/2"	1-1/2"	1.50 (38,1)	1.00 (25,4)	58	21.65
PB25550	5.06 (128,9)	10.67 (271,0)	2-1/2"	1-1/2"	1.50 (38,1)	1.00 (25,4)	60	22.39
PB25660	5.44 (138,1)	11.09 (281,6)	2-1/2"	1-1/2"	1.50 (38,1)	1.00 (25,4)	62	23.14
PB25770	5.81 (147,5)	11.46 (291,0)	2-1/2"	1-1/2"	1.50 (38,1)	1.00 (25,4)	64	23.88

SAE 4-Bolt Connector Ports

Size	F	G	H	J	K
1-1/2"	.70 (17,7)	1.406 (35,7)	1.37 (34,7)	2.750 (69,8)	1/2-13NC
2-1/2"	1.00 (25,4)	2.000 (50,8)	1.75 (44,4)	3.500 (88,9)	1/2-13NC



SAE 4-Bolt connectors are available. See Accessory Section.