

# Model P14



Description . . . . . Gear Pumps  
 Flow Range . . . . . To 9.0 GPM (34.0 LTR)  
 Displacements . . . . . To 2.079 C.I.R. (34.07 CC's/REV.)  
 Maximum Pressure to . . . . . 3000 PSI (207 BAR)  
 Maximum Speed to . . . . . 3600 RPM  
 Rotation . . . . . A or C  
 Bearings . . . . . Journal  
 Construction . . . . . Aluminum Body and Flanges

## Performance Data

PUMP MODEL	SECTION SIZE	DISPLACEMENT/REVOLUTION (Theoretical)					MAXIMUM PRESSURE		MAXIMUM SPEED
		US Gallons	Cubic Inches	Liters	Cubic Centimeters	Imperial Gallons	PSI	BAR	RPM
P14	42	.0035	.808	.0132	13.24	.0029	3000	207	3600
P14	59	.0049	1.132	.0185	18.55	.0041	3000	207	3600
P14	74	.0062	1.432	.0235	23.47	.0052	3000	207	3400
P14	91	.0076	1.756	.0288	28.77	.0063	2750	190	3200
P14	108	.0090	2.079	.0341	34.07	.0075	2500	172	3000

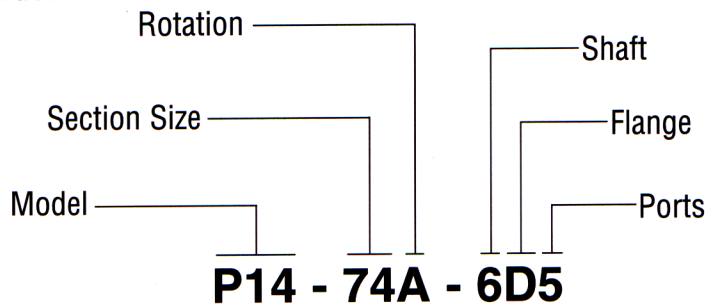
All data based on SAE 10W oil at 150°F.  
 Available with Viton Seals for use with phosphate ester base fluids.

**CAUTION:** "Inlet vacuum" should not exceed 5" Hg at normal operating speed and temperature.  
 Operation of pumps in excess of 5" Hg requires factory approval.

When sizing pumps, refer to the performance charts in the back of the catalog to determine the volumetric efficiency and input horsepower requirements.

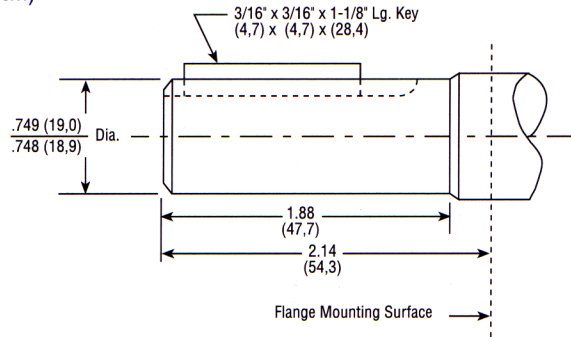
## How To Order

'A' denotes counterclockwise rotation  
 'C' denotes clockwise rotation  
 When viewed from drive shaft end



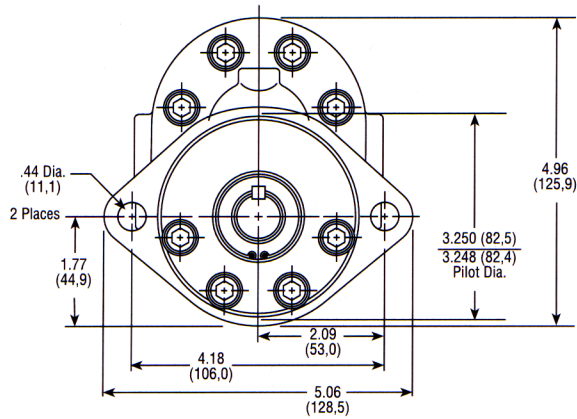
# Shafts Available

**6** **3/4" Dia. Straight**  
Torque Limit 105 Lbs. Ft. (142,3 Nm)



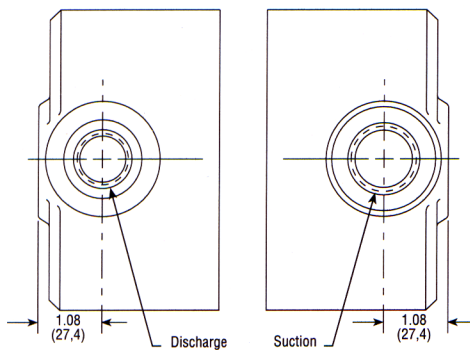
# Mounting Flanges Available

**D** **SAE 'A' 2-Bolt**

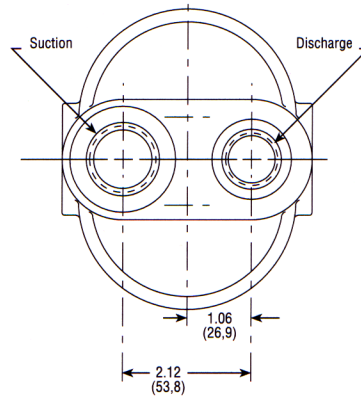


# Ports Available

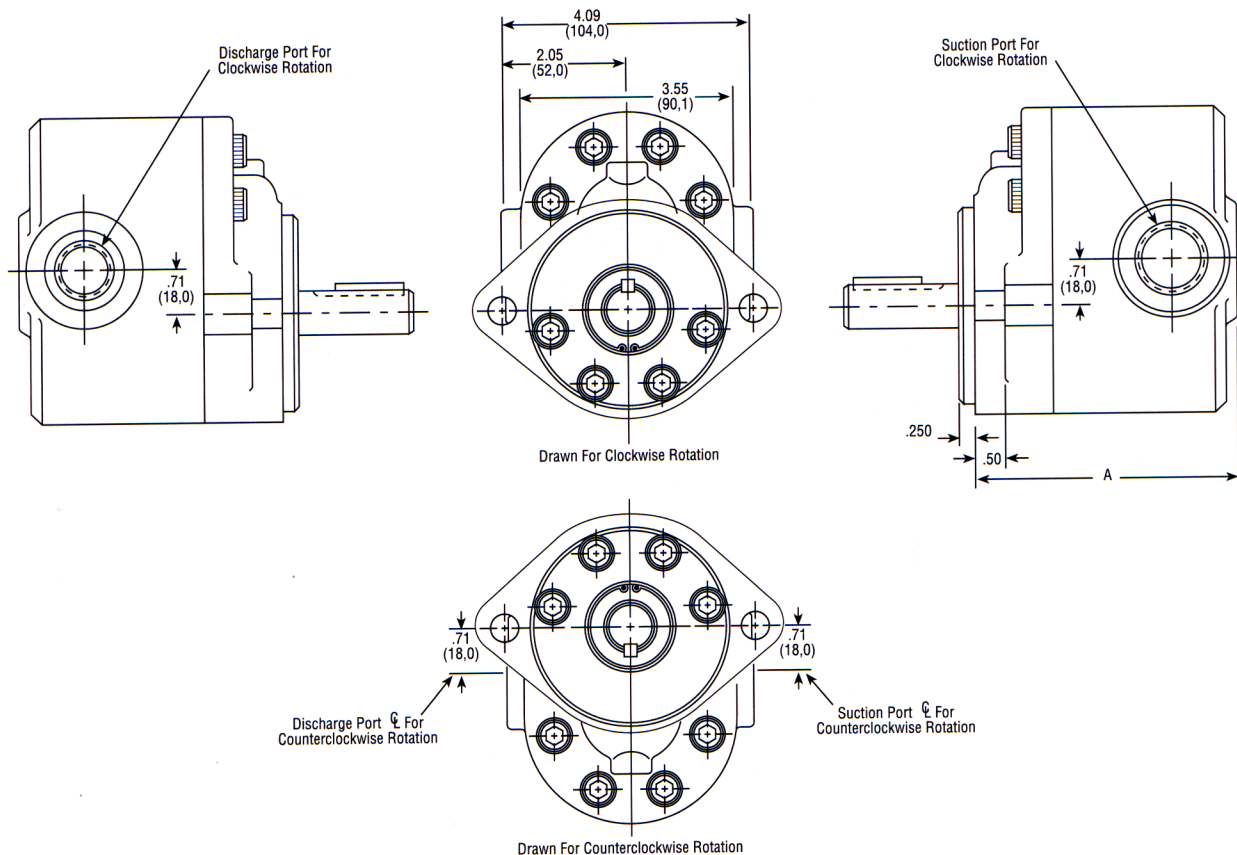
**5** **Side Ported Straight Thread**



**6** **Rear Ported Straight Thread**



# Dimensional Data



## Mounting Dimensions

PUMP SIZES	A		PORT SIZES		SHIPPING WEIGHT (Approx.)	
			Suction	Discharge	LBS.	KGS.
P14 - 42	3.53	(89,66)	1-1/16-12UN-2B SAE 12	7/8-14UNF-2B SAE 10	7.1	3.2
P14 - 59	3.73	(94,74)	1-3/16-12UN-2B SAE 14	7/8-14UNF-2B SAE 10	7.2	3.3
P14 - 74	3.93	(99,82)	1-3/16-12UN-2B SAE 14	7/8-14UNF-2B SAE 10	7.3	3.3
P14 - 91	4.13	(104,90)	1-3/16-12UN-2B SAE 14	7/8-14UNF-2B SAE 10	7.4	3.4
P14 - 108	4.33	(109,98)	1-5/16-12UN-2B SAE 16	1-1/16-12UN-2B SAE 12	7.5	3.4