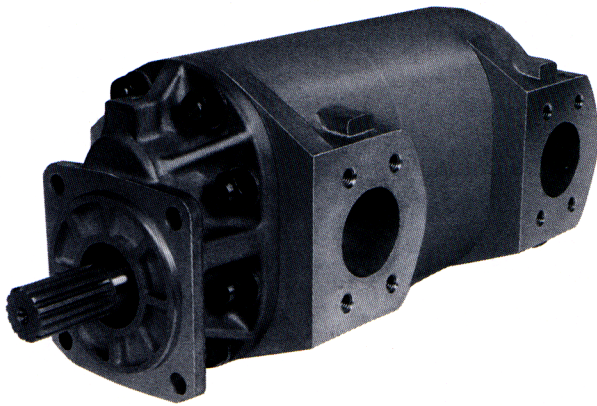


# Model NTP25\*



Description . . . . . Gear Pumps  
 Flow Range . . . . . To 167 GPM (632.1 LTR.) Per Section  
 Displacements To 15.50 C.I.R. (254.40 CC's/REV.) Per Section  
 Maximum Pressure to . . . . . 3000 PSI (207 BAR)  
 Maximum Speed to . . . . . 2500 RPM  
 Rotation . . . . . A or C  
 Bearings . . . . . Journal  
 Construction . . . . . Aluminum  
 \*The N here represents the New Modular Construction.

PUMP MODEL	SECTION SIZE	DISPLACEMENT/REVOLUTION (Theoretical)					MAXIMUM PRESSURE		MAXIMUM SPEED
		US Gallons	Cubic Inches	Liters	Cubic Centimeters	Imperial Gallons	PSI	BAR	RPM
NTP25	350	.0306	7.07	.1158	115.857	.025	3000	207	2500
NTP25	400	.0350	8.08	.1324	132.408	.029	3000	207	2500
NTP25	450	.0394	9.10	.1491	149.123	.033	3000	207	2500
NTP25	500	.0435	10.05	.1647	164.690	.036	2500	172	2500
NTP25	550	.0479	11.06	.1812	181.241	.040	2500	172	2500
NTP25	660	.0581	13.42	.2200	219.915	.048	2500*	172*	2500
NTP25	770	.0671	15.50	.2540	254.400	.056	2500*	172*	2500

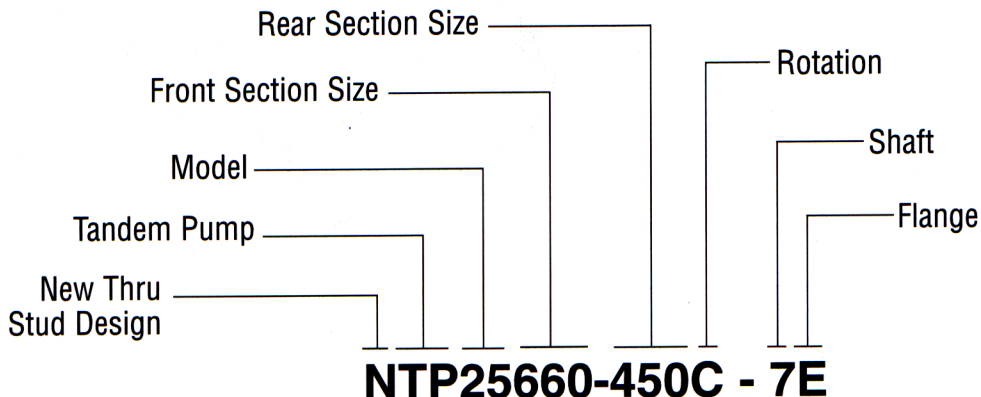
Available with Viton Seals for use with phosphate ester base fluids. All data based on SAE 10W oil at 150°F.  
 \*Consult factory for application approval.

**CAUTION:** "Inlet vacuum" should not exceed 5" Hg at normal operating speed and temperature. Operation of pumps in excess of 5" Hg requires factory approval.

When sizing pumps, refer to the performance charts in the back of the catalog to determine the volumetric efficiency and input horsepower requirements.

## How To Order

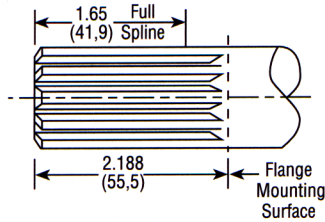
'A' denotes counterclockwise rotation  
 'C' denotes clockwise rotation  
 When viewed from drive shaft end



Note: Add prefix 'V' to pump model number (VNTP25) when ordering pumps with Viton Seals for use with phosphate ester base fluids.

# Shafts Available

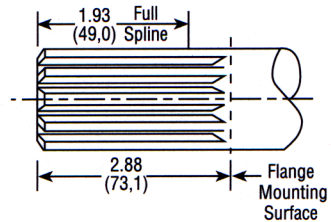
**1 SAE 'C' 1-1/4" Tooth Spine  
Flat Root Side Fit**  
Torque limit 655 Lbs. Ft. (800,0 Nm)



**Spline Data**

Diametral Pitch ..... 12/24  
Pressure Angle ..... 30°  
No. Of Teeth ..... 14

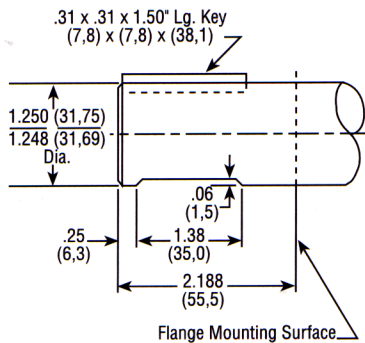
**4 1-1/2" 17 Tooth Spline  
Flat Root Side Fit**  
Torque limit 1180 Lbs. Ft. (1600,0 Nm)



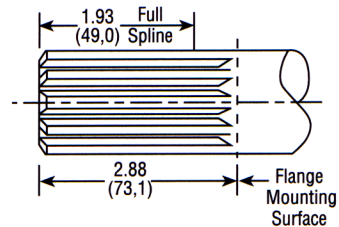
**Spline Data**

Diametral Pitch ..... 12/24  
Pressure Angle ..... 30°  
No. Of Teeth ..... 17

**8 1-1/2" Dia. Straight Shaft**  
Torque limit 1180 Lbs. Ft. (1600,0 Nm)



**9 1-1/2" 14 Tooth Spline  
Flat Root Side Fit**  
Torque limit 1180 Lbs. Ft. (1600,0 Nm)

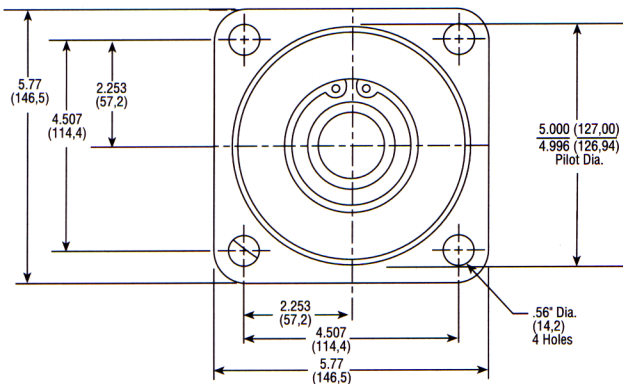


**Spline Data**

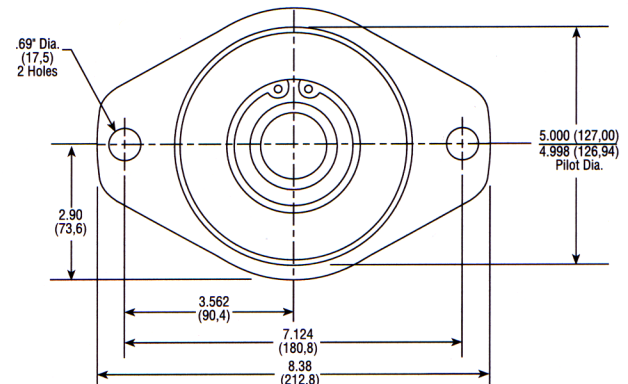
Diametral Pitch ..... 10/20  
Pressure Angle ..... 30°  
No. Of Teeth ..... 14

# Mounting Flanges Available

**E SAE 'C' 4-Bolt**



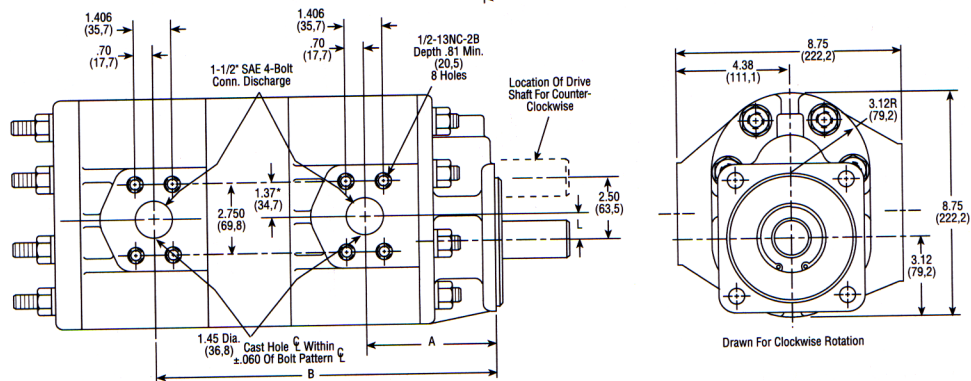
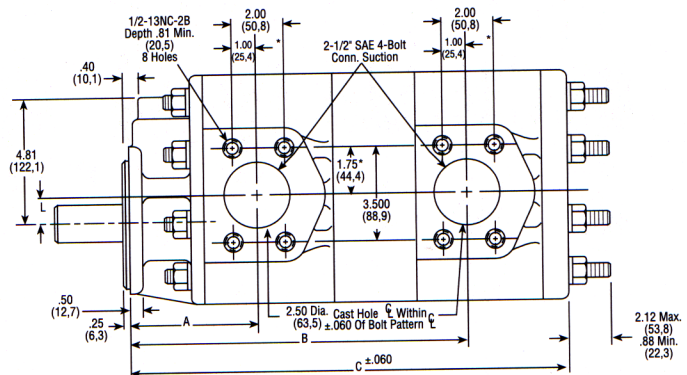
**F SAE 'C' 2-Bolt**



# Dimensional Data

## Mounting Dimensions

PUMP MODEL	A		B		C		L			
							'A' Rotation	'C' Rotation		
NTP25 350-350	4.88	(124,0)	12.90	(327,7)	16.79	(426,5)	1.50	(38,1)	1.00	(25,4)
NTP25 400-350	5.06	(128,5)	13.07	(332,0)	16.96	(430,8)	1.50	(38,1)	1.00	(25,4)
NTP25 400-400	5.06	(128,5)	13.25	(336,6)	17.13	(435,1)	1.50	(38,1)	1.00	(25,4)
NTP25 450-350	5.06	(128,5)	13.07	(332,0)	16.96	(430,8)	1.50	(38,1)	1.00	(25,4)
NTP25 450-400	5.06	(128,5)	13.25	(336,6)	17.13	(435,1)	1.50	(38,1)	1.00	(25,4)
NTP25 450-450	5.06	(128,5)	13.25	(336,6)	17.13	(435,1)	1.50	(38,1)	1.00	(25,4)
NTP25 500-350	5.06	(128,5)	13.07	(332,0)	16.96	(430,8)	1.50	(38,1)	1.00	(25,4)
NTP25 500-400	5.06	(128,5)	13.25	(336,6)	17.13	(435,1)	1.50	(38,1)	1.00	(25,4)
NTP25 500-450	5.06	(128,5)	13.25	(336,6)	17.13	(435,1)	1.50	(38,1)	1.00	(25,4)
NTP25 500-500	5.06	(128,5)	13.25	(336,6)	17.13	(435,1)	1.50	(38,1)	1.00	(25,4)
NTP25 550-350	5.48	(139,2)	13.49	(342,7)	17.38	(441,5)	1.50	(38,1)	1.00	(25,4)
NTP25 550-400	5.48	(139,2)	13.67	(347,2)	17.55	(445,8)	1.50	(38,1)	1.00	(25,4)
NTP25 550-450	5.48	(139,2)	13.67	(347,2)	17.55	(445,8)	1.50	(38,1)	1.00	(25,4)
NTP25 550-500	5.48	(139,2)	13.67	(347,2)	17.55	(445,8)	1.50	(38,1)	1.00	(25,4)
NTP25 550-550	5.48	(139,2)	14.09	(357,9)	17.97	(456,4)	1.50	(38,1)	1.00	(25,4)
NTP25 660-350	5.85	(148,6)	13.82	(351,0)	17.71	(449,8)	1.50	(38,1)	1.00	(25,4)
NTP25 660-400	5.85	(148,6)	14.00	(355,6)	17.88	(454,2)	1.50	(38,1)	1.00	(25,4)
NTP25 660-450	5.85	(148,6)	14.00	(355,6)	17.88	(454,2)	1.50	(38,1)	1.00	(25,4)
NTP25 660-500	5.85	(148,6)	14.00	(355,6)	17.88	(454,2)	1.50	(38,1)	1.00	(25,4)
NTP25 660-550	5.85	(148,6)	14.42	(366,2)	18.30	(464,8)	1.50	(38,1)	1.00	(25,4)
NTP25 660-660	5.85	(148,6)	14.79	(375,7)	18.63	(473,2)	1.50	(38,1)	1.00	(25,4)
NTP25 770-350	6.14	(156,0)	14.14	(359,2)	18.03	(458,0)	1.50	(38,1)	1.00	(25,4)
NTP25 770-400	6.14	(156,0)	14.32	(363,7)	18.20	(462,3)	1.50	(38,1)	1.00	(25,4)
NTP25 770-450	6.14	(156,0)	14.32	(363,7)	18.20	(462,3)	1.50	(38,1)	1.00	(25,4)
NTP25 770-500	6.14	(156,0)	14.32	(363,7)	18.20	(462,3)	1.50	(38,1)	1.00	(25,4)
NTP25 770-550	6.14	(156,0)	14.74	(374,4)	18.62	(473,0)	1.50	(38,1)	1.00	(25,4)
NTP25 770-660	6.14	(156,0)	15.11	(383,8)	18.95	(481,3)	1.50	(38,1)	1.00	(25,4)
NTP25 770-770	6.14	(156,0)	15.40	(391,2)	19.27	(489,5)	1.50	(38,1)	1.00	(25,4)



\* These dimensions locate  $\phi$  of bolt pattern only

SAE 4-Bolt NPT Connectors are available. See Accessory Section