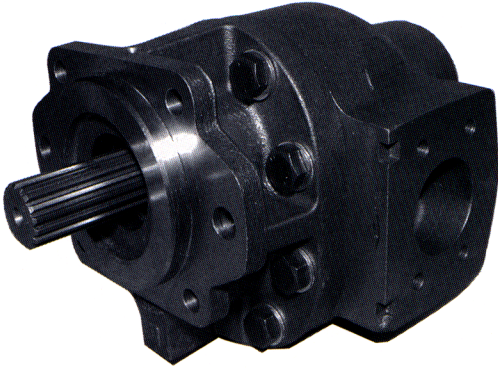


Model FPDV25



Description Dry Valve Pumps
 Flow Range . . . To 55 GPM (208.19 LTR) @ 1200 RPM
 Displacements To 11.06 C.I.R. (181.24 CC's/REV.)
 Maximum Pressure to 3000 PSI (207 BAR)
 Maximum Speed to 2500 RPM
 Rotation A or C
 Bearings Journal
 Construction Cast Iron

Performance Data

PUMP MODEL	SECTION SIZE	DISPLACEMENT/REVOLUTION (Theoretical)					MAXIMUM PRESSURE		MAXIMUM SPEED
		US Gallons	Cubic Inches	Liters	Cubic Centimeters	Imperial Gallons	PSI	BAR	RPM
FPDV25	450	.0394	9.10	.1491	149.123	.033	3000	207	2500
FPDV25	550	.0479	11.06	.1812	181.241	.040	2500	172	2500

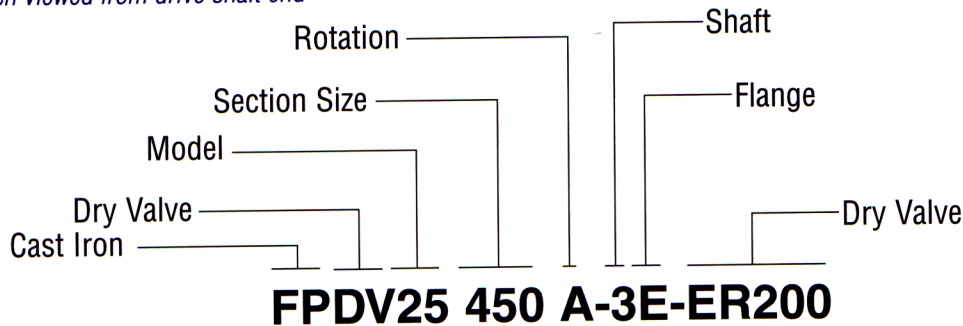
Available with Viton seals for use with phosphate ester base fluids.

CAUTION: "Inlet vacuum" should not exceed 5" Hg at normal operating speed and temperature. Operation of pumps in excess of 5" Hg requires factory approval.

When sizing pumps, refer to the performance charts in the back of the catalog to determine the volumetric efficiency and input horsepower requirements.

How To Order

'A' denotes counterclockwise rotation
 'C' denotes clockwise rotation
 When viewed from drive shaft end

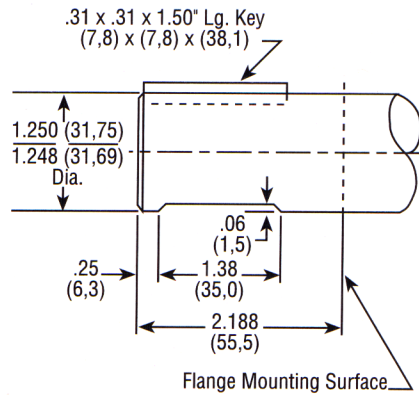


Note: Add prefix 'V' to pump model number (VFPDV25) when ordering pumps with Viton Seals.

Shafts Available for FPDV25

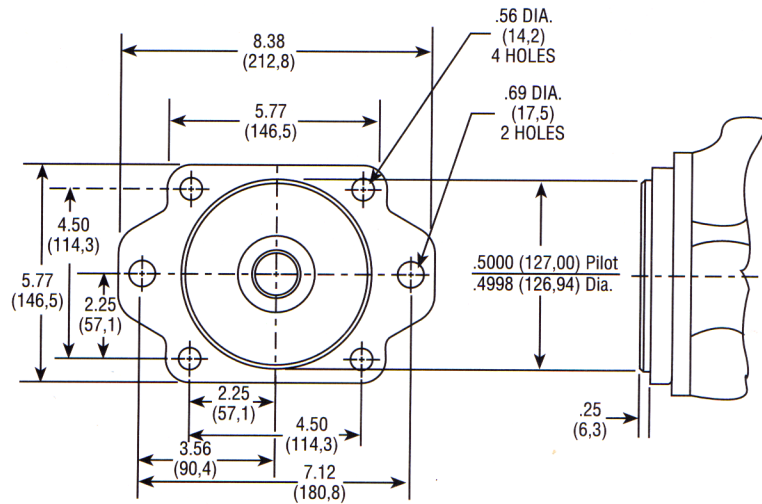
1

SAE 'C' 1-1/4" 14 Tooth Spline
Torque Limit 655 Lbs. Ft. (888,0 Nm)



Mounting Flanges Available for FPDV25

E



Dimensional Data

Mounting Dimensions

PUMP MODEL	DRY VALVE	A	B	C	D	E	F
DV25450	ER-200	8.81 (223,7)	6.21 (157,7)	4.00 (101,6)	8.75 (222,2)	2.00 (50,8)	20.96 (532,3)
DV25550	ER-250	8.81 (223,7)	6.21 (157,7)	4.00 (101,6)	8.75 (222,2)	3.25** (82,5)	22.21 (564,1)

*Includes 1.75" for Adapter Kit 1677
 **Includes 1.25" for Adapter Kit 14190

PUMP MODEL	Ports		Conn. Hole Dia.	
	SAE 4-Bolt Conn. Suction	SAE 4-Bolt Conn. Discharge	Suction	Disc
DV25450	2"	1-1/4"	2.00 (50,8)	1.25 (31,7)
DV25550	2-1/2"	1-1/2" ⁽²⁾	2.50 (63,5)	1.50 (38,1)

⁽¹⁾Requires Port Adapter Kit 16771 to mount ER250 valve
⁽²⁾Requires Port Adapter Kit 14190 to mount ES valve

SAE 4-Bolt Connector Ports

Size	G	H	J	K	L
1-1/4"	.59 (15,0)	1.188 (30,2)	1.15 (29,2)	2.313 (58,7)	7/16-14NC
1-1/2"	.70 (17,8)	1.406 (35,7)	1.37 (34,8)	2.750 (69,8)	1/2-13NC
2"	.84 (21,3)	1.688 (42,9)	1.53 (38,9)	3.062 (77,8)	1/2-13NC
2-1/2"	1.00 (25,4)	2.000 (50,8)	1.75 (44,4)	3.500 (88,9)	1/2-13NC

