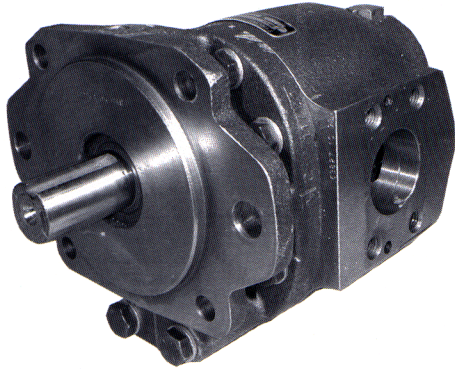


Model FPDV20



Description Dry Valve Pumps
 Flow Range To 47 GPM (177.9 LTR) @ 1200 RPM
 Displacements To 9.101 C.I.R.(149.13 CC's/REV.)
 Maximum Pressure to 2500 PSI (172 BAR)
 Maximum Speed to 2500 RPM
 Rotation A or C
 Bearings Journal
 Construction Cast Iron

Performance Data

PUMP MODELS	SECTION SIZE	DISPLACEMENT/REVOLUTION (Theoretical)					MAXIMUM PRESSURE		MAXIMUM SPEED
		US Gallons	Cubic Inches	Liters	Cubic Centimeters	Imperial Gallons	PSI	BAR	RPM
FPDV20	200	.0175	4.043	.0662	66.253	.015	2500	172	2500
FPDV20	250	.0219	5.059	.0829	82.902	.018	2500	172	2500
FPDV20	300	.0262	6.052	.0992	99.175	.022	2500 ⁽¹⁾	172	2500
FPDV20	350	.0306	7.069	.1158	115.840	.025	2500 ⁽²⁾	172	2500
FPDV20	400	.0350	8.085	.1325	132.490	.029	2500	172	2500
FPDV20	450	.0394	9.101	.1491	149.139	.033	2500	172	2500

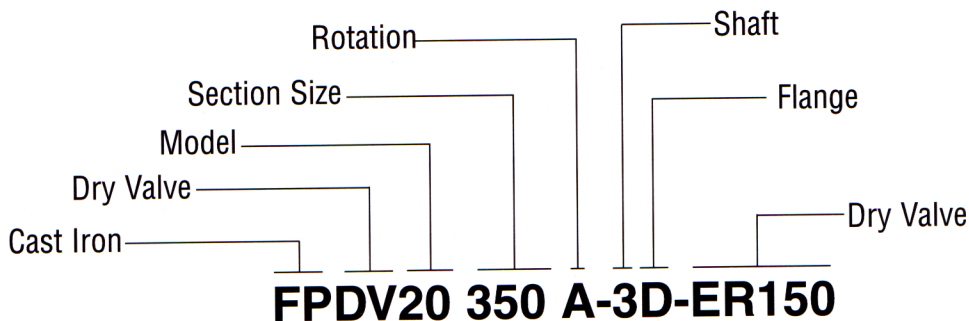
Notes: (1) 2100 PSI maximum due to torque limitations of No. 4 shaft. (2) 1800 PSI maximum due to torque limitations of No. 4 shaft. Consult factory for application tandem units. *Consult factory for application approval.

CAUTION: "Inlet vacuum" should not exceed 5" Hg at normal operating speed and temperature. Operation of pumps in excess of 5" Hg requires factory approval.

When sizing pumps, refer to the performance charts in the back of the catalog to determine the volumetric efficiency and input horsepower requirements.

How To Order

'A' denotes counterclockwise rotation
 'C' denotes clockwise rotation
 When viewed from drive shaft end



Note: Add prefix 'V' to pump model number (VFPDV20) when ordering pumps with Viton Seals.

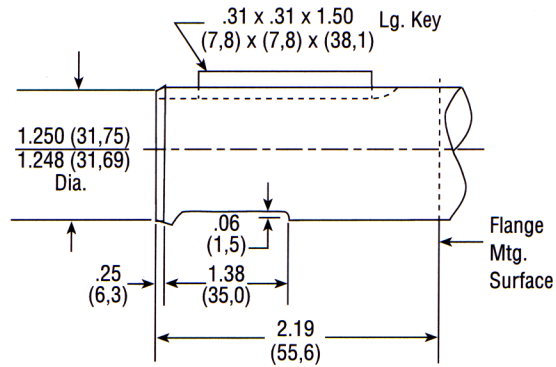
Shafts Available for FPDV20

3

SAE 'C' 1 1/4" Dia. Straight Shaft

Torque limit 655 Lbs. Ft. (888, Nm)

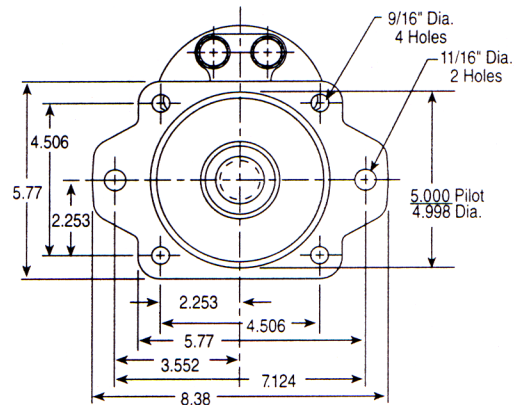
Available On All Sizes



Mounting Flange Available for FPDV20

D

SAE 'C' 2- & 4-Bolt



Dimensional Data

Mounting Dimensions

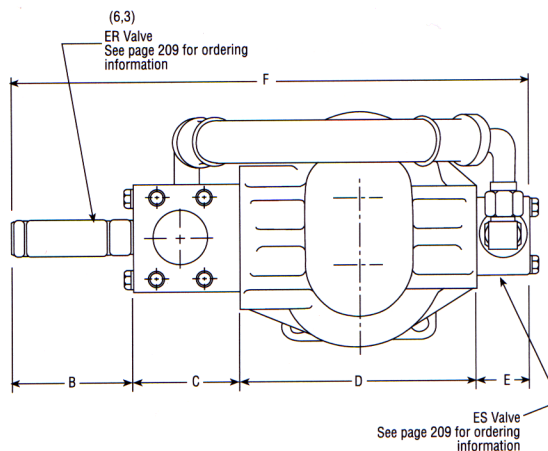
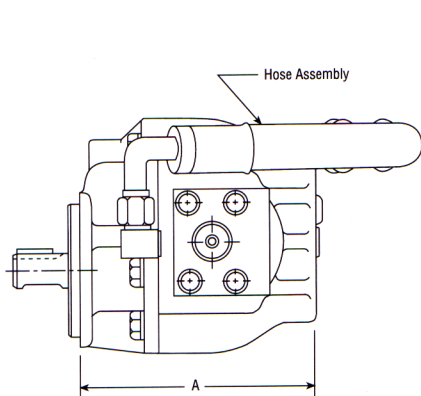
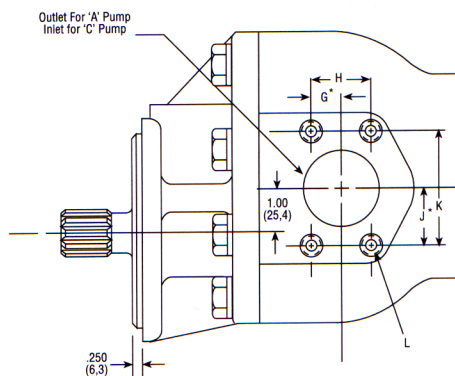
PUMP MODEL	DRY VALVE	A	B	C	D	E	F
DV20150	ER-125	6.61 (167,9)	4.40 (111,8)	3.00 (76,2)	5.25 (133,4)	N/A -	12.65 (321,3)
DV20200	ER-125	6.61 (167,9)	4.40 (111,8)	3.00 (76,2)	5.25 (133,4)	N/A N/A	12.65 (321,3)
DV20250	ER-150	6.61 (167,9)	4.40 (111,8)	3.00 (76,2)	5.25 (133,4)	2.00 (50,8)	14.65 (372,1)
DV20300	ER-150	6.90 (175,3)	4.40 (111,8)	3.00 (76,2)	5.25 (133,4)	2.00 (50,8)	14.65 (372,1)
DV20350	ER-150	7.18 (182,4)	4.40 (111,8)	3.00 (76,2)	5.25 (133,4)	2.00 (50,8)	14.65 (372,1)
DV20400	ER-200	7.47 (189,7)	6.21 (157,7)	4.00 (101,6)	5.25 (133,4)	2.00 (50,8)	17.46 (443,5)
DV20450	ER-200	7.75 (196,9)	6.21 (157,7)	4.00 (101,6)	5.25 (133,4)	2.00 (50,8)	17.46 (443,5)

Mounting Dimensions

PUMP SIZE	SAE 4-Bolt Connector Ports			
	Inlet		Outlet	
	Conn. Sz.	Hole Dia.	Conn. Sz.	Hole Dia.
150	1-1/4"	1.19 (30,2)	1"	.937 (23,8)
200	1-1/4"	1.19 (30,2)	1"	.937 (23,8)
250	1-1/2"	1.50 (38,1)	1-1/4"	1.19 (30,2)
300	1-1/2"	1.50 (38,1)	1-1/4"	1.19 (30,2)
350	1-1/2"	1.50 (38,1)	1-1/4"	1.19 (30,2)
400	2"	2.00 (50,8)	1-1/4"	1.37 (34,8)
450	2"	2.00 (50,8)	1-1/4"	1.37 (34,8)

SAE 4-Bolt Connector Ports

Size	G	H	J	K	L
1"	.51 (12,9)	1.031 (26,2)	1.03 (26,2)	2.062 (57,4)	3/8-16NC
1-1/4"	.59 (15,0)	1.188 (30,2)	1.15 (29,2)	2.313 (58,8)	7/16-14NC
1-1/2"	.70 (17,8)	1.406 (35,7)	1.37 (34,8)	2.750 (69,8)	1/2-13NC
2"	.84 (21,3)	1.688 (42,9)	1.53 (38,9)	3.062 (77,8)	1/2-13NC



* These dimensions locate \bar{C} of bolt pattern only

SAE 4-Bolt NPT Connectors are available. See Accessory Section