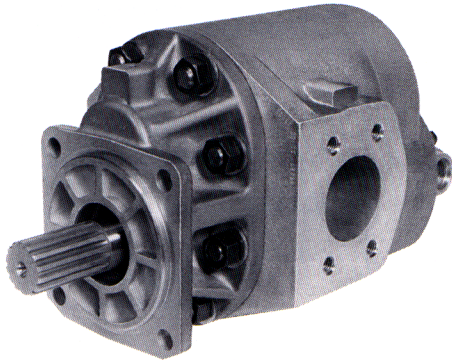


Model 25



Description Gear Pumps
 Flow Range To 208 GPM (787.3 LTR.)
 Displacements . To 19.22 C.I.R. (314.96 CC's/REV.)
 Maximum Pressure to 3000 PSI (207 BAR)
 Maximum Speed to 2500 RPM
 Rotation A or C
 Bearings Journal
 Construction Aluminum
 Cast Iron Available—Consult Factory

Performance Data

PUMP MODEL	SECTION SIZE	DISPLACEMENT/REVOLUTION (Theoretical)					MAXIMUM PRESSURE		MAXIMUM SPEED
		US Gallons	Cubic Inches	Liters	Cubic Centimeters	Imperial Gallons	PSI	BAR	RPM
25	300	.0262	6.05	.0992	99.142	.022	3000	207	2500
25	350	.0306	7.07	.1158	115.857	.025	3000	207	2500
25	400	.0350	8.08	.1324	132.408	.029	3000	207	2500
25	450	.0394	9.10	.1491	149.123	.033	3000	207	2500
25	500	.0435	10.05	.1647	164.690	.036	2500	172	2500
25	550	.0479	11.06	.1812	181.241	.040	2500	172	2500
25	660	.0581	13.42	.2200	219.915	.048	2500*	172*	2500
25	770	.0671	15.50	.2540	254.400	.056	2500*	172*	2500
25	950	.0832	19.22	.3150	314.960	.069	2500*	172*	2500

Available with Viton Seals for use with phosphate ester base fluids. All data based on SAE 10W oil at 150°F.
 Cast-iron not available on all models. Consult factory for availability.
 *Consult factory for application approval.

CAUTION: "Inlet vacuum" should not exceed 5" Hg at normal operating speed and temperature.
 Operation of pumps in excess of 5" Hg requires factory approval.

When sizing pumps, refer to the performance charts in the back of the catalog to determine the volumetric efficiency and input horsepower requirements.

How To Order

'A' denotes counterclockwise rotation
 'C' denotes clockwise rotation
 When viewed from drive shaft end



Note: Add prefix 'V' to pump model number (V25) when ordering pumps with Viton Seals for use with phosphate ester base fluids.
 Add prefix 'FP' to pump model number (FP25) when ordering pumps with cast iron construction.

Shafts Available

<p>1 SAE 'C' 1-1/4" 14 Tooth Spline Flat Root Side Fit Torque limit 655 Lbs. Ft. (888,0 Nm)</p> <p>Spline Data Diametral Pitch 12/24 Pressure Angle 30° No. Of Teeth 14</p>	<p>2 SAE 'C' 1-1/4" 14 Straight Shaft Torque limit 655 Lbs. Ft. (888,0 Nm)</p>	<p>5 1-1/4" Straight Shaft Torque limit 655 Lbs. Ft. (888,0 Nm)</p>
---	---	--

Mounting Flanges Available

<p>E SAE 'C' 4-Bolt</p>	<p>F SAE 'C' 2-Bolt</p>
--------------------------------	--------------------------------

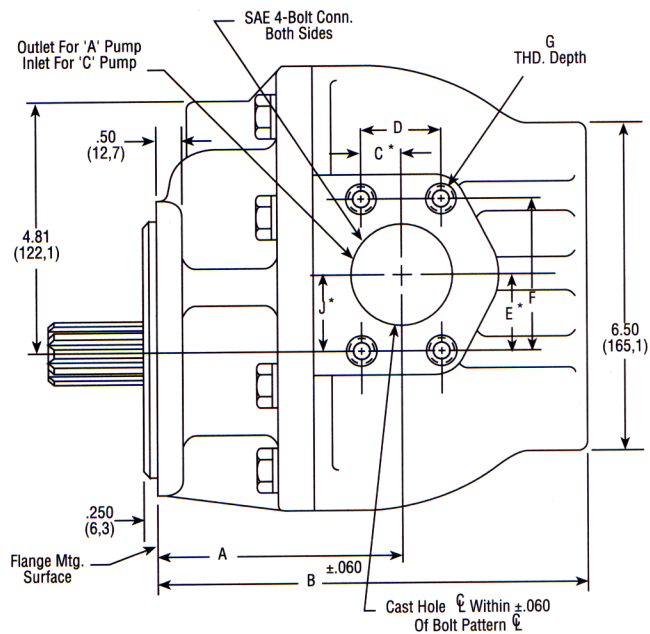
Dimensional Data

Mounting Dimensions

PUMP SIZE	For 'C' 2-Bolt & 'C' 4-Bolt Flg.		SAE 4-Bolt Conn. Port		Conn. Hole Dia.		Shipping Weights (Approx.)	
	A	B	Suction	Disc.	Suction	Disc.	lbs.	kgs.
25300	5.06 (128,5)	8.81 (223,7)	2"	1-1/4"	2.00 (50,8)	1.25 (31,7)	41	18.60
25350	5.06 (128,5)	8.81 (223,7)	2"	1-1/4"	2.00 (50,8)	1.25 (31,7)	42	19.05
25400	5.06 (128,5)	8.81 (223,7)	2"	1-1/4"	2.00 (50,8)	1.25 (31,7)	43	19.50
25450	5.06 (128,5)	8.81 (223,7)	2"	1-1/4"	2.00 (50,8)	1.25 (31,7)	44	19.96
25500	4.88 (123,9)	8.63 (219,2)	2-1/2"	1-1/2"	2.50 (63,5)	1.50 (38,1)	45	20.41
25550	5.06 (128,5)	8.81 (223,7)	2-1/2"	1-1/2"	2.50 (63,5)	1.50 (38,1)	45	20.41
25660	5.31 (34,8)	9.06 (230,1)	2-1/2"	1-1/2"	2.50 (63,5)	1.50 (38,1)	46	20.87
25770	5.56 (141,2)	9.31 (236,4)	2-1/2"	1-1/2"	2.50 (63,5)	1.50 (38,1)	48	21.77
25950	6.21 (157,7)	9.95 (252,7)	3"	2"	3.00 (76,2)	2.00 (50,8)	49	22.23

SAE 4-Bolt Connector Ports

Size	C	D	E	F	G	J	
						'A' Rotation	'C' Rotation
1-1/4"	.59 (14,9)	1.188 (30,1)	1.15 (29,2)	2.313 (58,7)	7/16-14NC	1.50 (38,1)	1.00 (25,4)
1-1/2"	.70 (17,7)	1.406 (35,7)	1.37 (34,7)	2.750 (69,8)	1/2-13NC	1.50 (38,1)	1.00 (25,4)
2"	.84 (21,3)	1.688 (42,8)	1.53 (38,8)	3.062 (77,7)	1/2-13NC	1.50 (38,1)	1.00 (25,4)
2-1/2"	1.00 (25,4)	2.000 (50,8)	1.75 (44,4)	3.500 (88,9)	1/2-13NC	1.50 (38,1)	1.00 (25,4)
3"	1.21 (30,7)	2.438 (61,9)	2.09 (53,0)	4.188 (106,3)	5/8-11NC	1.50 (38,1)	1.00 (25,4)



* These dimensions locate C of bolt pattern only

SAE 4-Bolt NPT Connectors are available. See Accessory Section