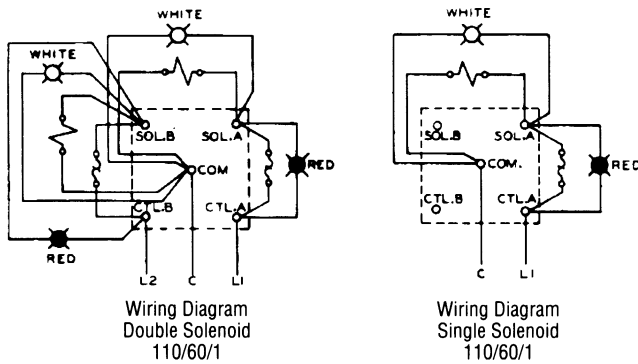
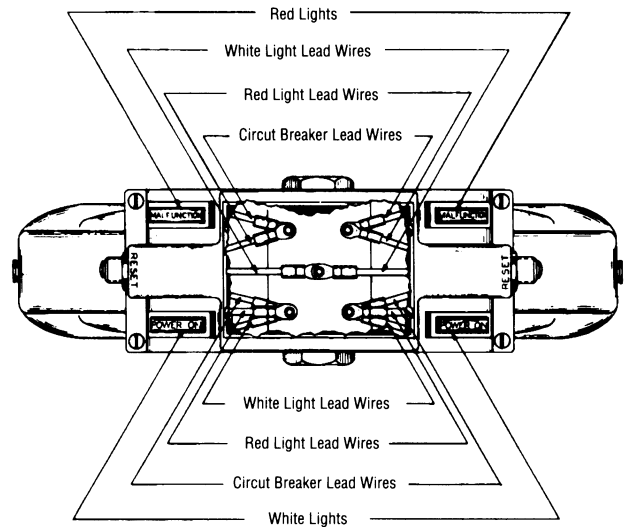


View AA  
(shown with wire leads removed)



## Features

- The Tel-Lite is an optional accessory that can be installed at the factory or in the field.
- Long-lasting neon lights.
- Thermal cut-out circuit breaker.
- White light indicates solenoid is energized and valve is working properly.
- Red light indicates a mechanical or electrical malfunction which causes overload circuit breaker to open and prevent solenoid coil burn-out.
- For use with A.C. solenoids only.



Double Solenoid Application Shown

## Tel-Lite Installation

1. Turn off electrical power.
2. Remove valve nameplate.
3. Disconnect solenoid lead wires.
4. Remove Tel-Lite mounting plate.
5. Install mounting plate on the valve with gasket.
6. Connect solenoid and power leads to Tel-Lite per wiring diagram.
7. Mount Tel-Lite on mounting plate with the A solenoid terminal toward the valve A solenoid.
8. The blank nameplate should be stamped the same as the valve nameplate, except the third digit of the third group of numbers will be a one (1) for single solenoid valve or a two (2) for double solenoid valve.
9. Install nameplate and activate system.

Valve Size	Tel-Lite Unit Only	Ordering Part Number
3 GPM	Double Sol. Valve, 115V, 60 Cy Sol. A & B	02012-2103-0000
3 GPM	Single Sol. Valve, 115V, 60 Cy Sol. A	02011-2103-0100
3 GPM	Single Sol. Valve, 115V, 60 Cy Sol. B	02011-2103-0200
10 GPM	Double Sol. Valve, 115V, 60 Cy Sol. A & B	02022-2103-0000
10 GPM	Single Sol. Valve, 115V, 60 Cy Sol. A	02021-2103-0100
10 GPM	Single Sol. Valve, 115V, 60 Cy Sol. B	02021-2103-0200
Valve Size	Replacement Parts	Ordering Part Number
3 GPM	Circuit Breaker, 1-1/2 Amp. (-7)	00201-2100-1200
10 GPM	Circuit Breaker, 7-1/2 Amp. (-24)	00201-2100-1100
	Power On Light (White)	00201-2100-0900
	Malfunction Light (Red)	00201-2100-0800