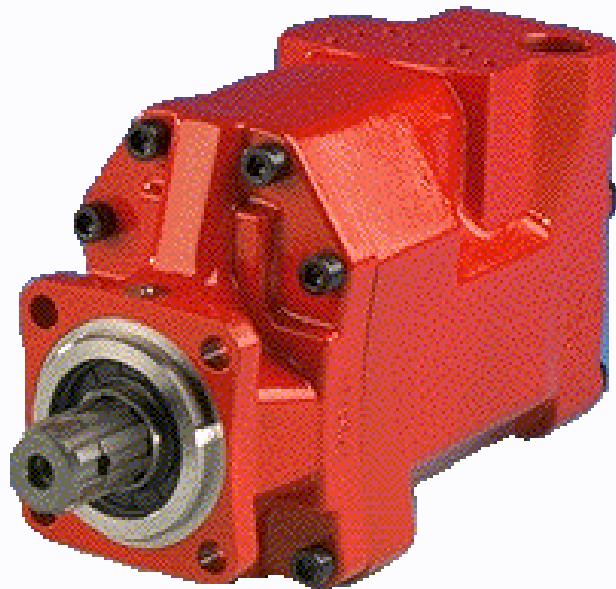
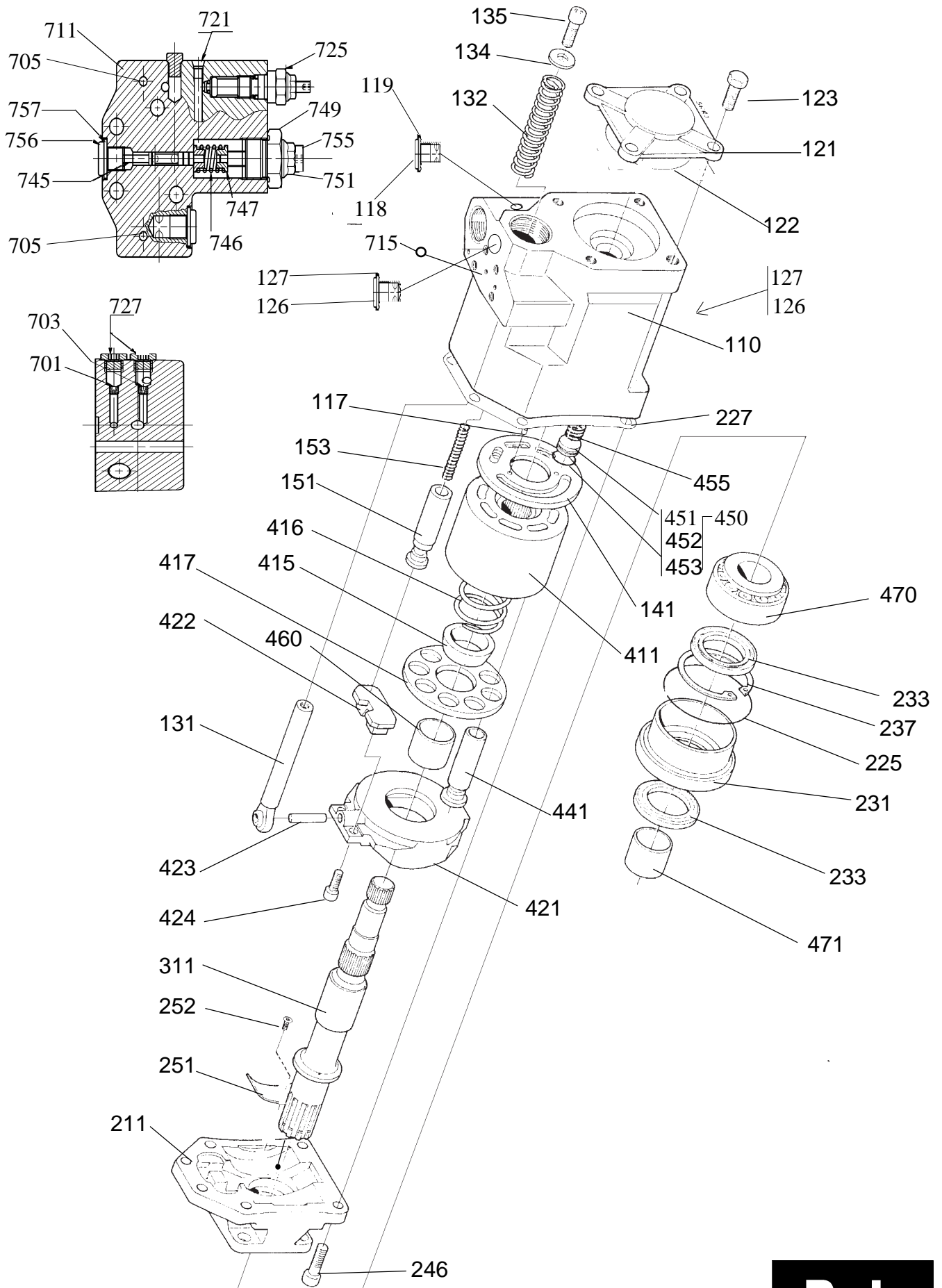


Spare Parts Lists VP1





Item	Part No.	Description	Benämning	Qty.	Remarks
111	3780105	Barrel Housing Left	Trumhus V%onster	1	Type L
111	3780104	Barrel Housing Right	Trumhus H%ger	1	Type R
116	950525	Pin	Pinne	2	
117	3796927	Guide Pin	Styrstift	2	
118	944505	Hex Socket Plug R1/4	Insexpropp R1/4	1	
119	943907	Seal Washer	T%otbricka	1	
121	3780602	Cover	Lock	1	* Not available
122	3780603	O-ring	O-ring	1	
123	970827	Hexagon Screw	Sexkantskruv	4	
124	906995	Spring Washer 12.2	Fj%oderbricka 12,2	4	* Not available
126	945065	Hex Socket Plug M14	Insexpropp M14	2	
127	976929	Seal Washer M14	T%otbricka M14	2	
131	3781209	Bar Assy	StAng Kpl	1	
132	3780212	Compression Spring	Tryckf%oder	1	Rep. 3796924
134	960148	Washer	Bricka	1	
135	949068	Hex S Scr	Ins Skruv	1	
141	3780087	Valveplate L	Ventilskiva L	1	Rep. 3797779
141	3780086	Valveplate R	Ventilskiva R	1	Rep. 3797664
151	3796799	Piston Assy	Kolv Kpl.	2	
153	3797689	Compression Spring	Tryckf%oder	2	
211	3780088	Bearing Housing	Lagerhus	1	Rep. 3796837
225	925095	O-Ring 84,5*3 N70	O-Ring 84,5*3 N70	1	
227	3781779	Gasket	Packning	1	Rep. 3797665
231	3792877	Seal Carrier	T%ottringshÅllare	1	
233	118773	Shaft Seal	T%otningsring	2	
237	967822	Retaining Ring Jk62	SpÅrring Jk62 Din 984	1	
246	949068	Hex S Scr	Ins Skruv	6	
248	3793510	Washer	Bricka	1	
249	116090	Grooved Rivet	Nit	1	
251	3780093	Bearing Cap	Lagerskiva	2	Rep. 3798414
252	3782436	Sunk Head Screw	Insexs%onkskruv	2	Rep. 944824
311	3798117	Shaft	Axel	1	
411	3798118	Cylinder Barrel	Cylindertrumma	1	
415	3797744	Ball	Ans%otningsst%of	1	
416	3797741	Compression Spring	Tryckf%oder	1	
417	3797745	Plate	NedHÅllarplatta	1	
420	3798262	Swashplate Assy type R	Vagga Kpl Typ R	1	Size 045
420	3798226	Swashplate Assy type L	Vagga Kpl Typ L	1	Size 045
420	3798261	Swashplate Assy type R	Vagga Kpl Typ R	1	Size 075
420	3798225	Swashplate Assy type L	Vagga Kpl Typ L	1	Size 075
441	3796799	Piston Assy	Kolv Kpl.	9	
451	3797848	Bush	Ans%otningshylsa	1	
452	3797989	Piston Seal	Kolv%otning	5	
453	3797953	X-Ring	X-Ring	5	
455	3797690	Compression Spring	Tryckf%oder	5	
460	3796926	Plain Bearing	Glidlager	1	
470	3796929	Tap Rol Bearing	Kon Rullager	1	
471	3796039	Inner Ring	Innerring	1	
491	949141	Protective Plug 29,6-32,0	Skyddsplugg 29,6-32,0	1	

* 3780602 is not a spare part. You have to order 3780601 which is a kit including 3780602 and 3780603.

492	940308	Protective Plug 36,8-40,7	Skyddsplugg 36,8-40,7	1
498	3797901	Name Plate Voac	Produktskylt Voac	1
499	116090	Grooved Rivet	Nit	2
601	3780158	Hex Socket Screw M8*60	Insexskruv M8*60	4
700	3781227	Control Ls Assy	Regulator Ls Kpl	1
701	3704588	Nozzle 0.6	Munstycke 0.6	1
703	3704588	Nozzle 0.6	Munstycke 0.6	1
705	3705824	Nozzle 2.0	Munstycke 2,0	2
711	3781212	Control Housing	Regulatorhus	1
715	960159	O-Ring 8,3*2,4 N90	O-Ring 8,3*2,4 N90	6
721	3795603	Seal Plug M6	Förseglingspropp M6	10
725	3763680	Pressure Relief Valve	Tryckbegränsningsventil	1
727	3793398	Hex Socket Plug Assy	Insexpropp Kpl M10 H	2
738	943583	Protective Plug 10,7-12,3	Skyddsplugg 10,7-12,3	2
745	3781228	Spool LS	Slid LS	1
746	3780102	Compression Spring	Tryckfjäder	1
747	3792173	Spring Seat	Fjädersäte	2
749	3780323	Threadbushing Assy	Ångbussning Kpl	1
751	966709	Seal Nut M8	Tötmutter M8	1
755	3780381	Adjusting Screw	Ställskruv	1
756	944505	Hex Socket Plug R1/4	Insexpropp R1/4	1
757	943907	Seal Washer 13,7*20,6	Tötblbricka 13,7*20,6	1
991	3780473	Instruction Tag	Instruktionslapp	1
992	3780474	Instruction	Instruktion	1

Note! Item 701 until 757 only as Control LS Assy, item 700!

Sealkit VP1, Part No. 3780615

Items included in the sealkit are 119, 122, 127, 225, 227, 233, 452, 453, 715, 748, 751 and 757.