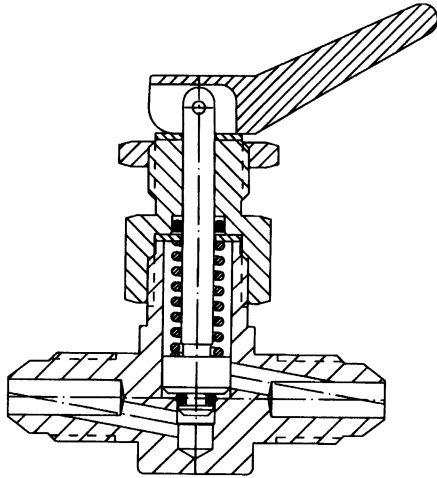




# Catalog Series T133-T148



## Features

- Valve snaps on and off.
- Zero leakage.
- Pneumatic or hydraulic service.
- Wide selection of fitting ends in both inline and angle porting.
- External pipe threaded ports are counterbored to accept solder-type tube fittings.

Size	CV Factors				Weights (In Lbs.)
	Series		Exceptions		
	130	140	138-4	148-4	
1/8, 4	.20	.35	.18	.32	.13
1/4, 6	.25	.40	.22	.37	.25

## Specifications

### Service Applications:

Gases and liquids.

### Pressure Range:

Working: 200 PSI  
Proof: 300 PSI

### Temperature Range:

-65° to 250° F.

### Sizes:

NPT: 1/8, 1/4  
FLD: 4, 6

### Type Ports:

NPT: Pipe threads.  
FLD: Flared tube connection SAE 37° MS33656.  
FLS: Flareless tube connection MS33514.  
IST: Internal straight threads per MS33649.

### Internal Leakage:

Zero.

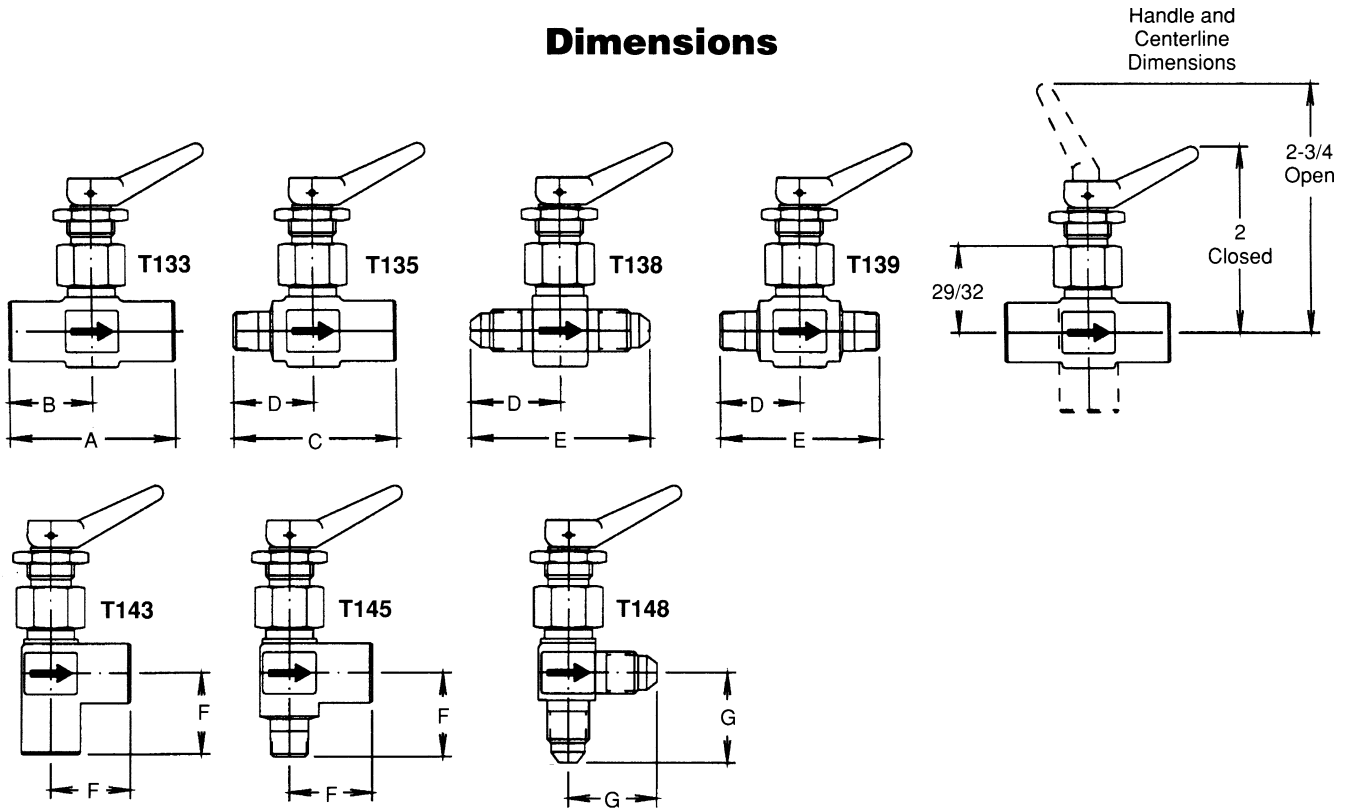
### Mounting:

Panel. Maximum panel thickness 1/4". Panel hole diameter 17/32".

### Materials:

Body, Cap Stem, Locknut: Brass.  
Washers: Brass.  
Handle: Nylon.  
Packing and Seat: Synthetic rubber.  
Spring: Stainless steel type AMS5673.  
Spring Pins: Stainless steel type 420.

**Dimensions**



Dash No.	Size		A	B	C	D	E	F	G	H
	Tube	Pipe								
1/8	—	1/8	1-3/4	7/8	—	27/32	1-11/16	7/8	—	—
1/4	—	1/4	1-7/8	15/16	1-13/16	7/8	1-3/4	7/8	—	—
4	1/4	—	—	—	—	15/16	1-7/8	—	15/16	7/8
6	3/8	—	—	—	—	15/16	1-7/8	—	31/32	7/8

**Interpretation of Valve Number**

