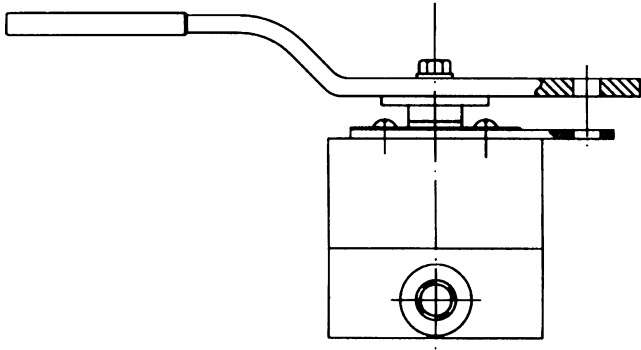


Features

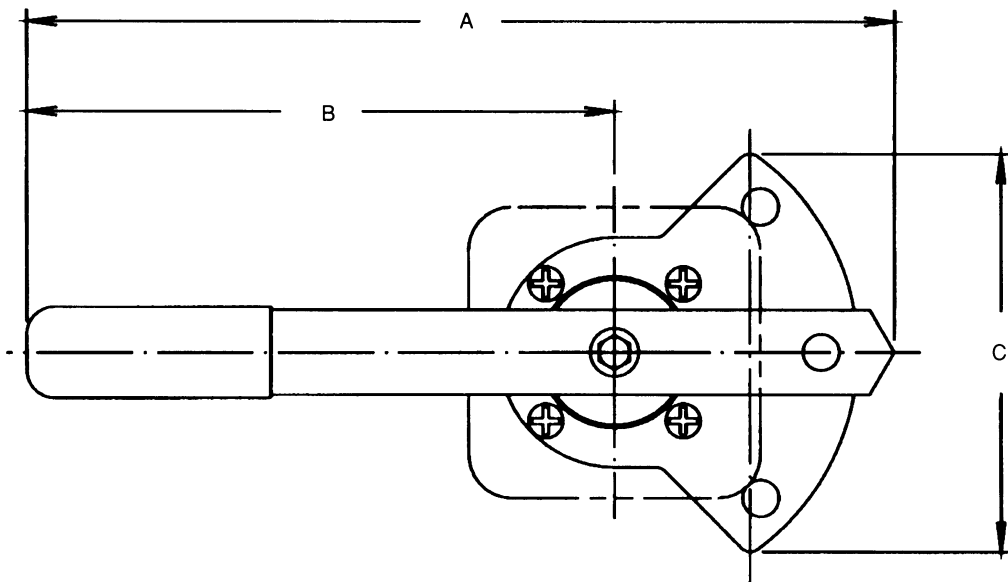


- Provides means for positive lockout of selector valves on hydraulic and pneumatic systems as required by OSHA.
- A separate padlock* hole is provided for each handle position.
- The kits are easily installed on existing valves or can be ordered on new valves.**
- Typical applications for the Safety Lockout Kits are: machine tool equipment, accumulator circuits, maintenance purposes, control systems.

* Padlock not furnished.

** To order lockout kit installed on new valves, prefix valve part number with "LK" such as: LK8001E-1/2HS2.

Dimensions



Kit Part Number	Size	Dim. A	Dim. B	Dim. C
8-3076-1-1	4 & 6	8 - 7/8	6"	4 - 1/8
8-3076-1-2	8 & 10	10 - 1/8	7"	4 - 5/8
8-3076-1-3	12 & 16	14 - 1/8	10"	6 - 1/8

D