

## Series RA Direct-Operated Relief Valves

Series RA and RAS direct-operated pressure relief valves are often used for “pop-off” protection against overpressure on systems where normal overpressures are relieved by other relief valves, such as Parker Series RP and RM types.

Series RA and RAS valves are available in two port sizes: 3/8” and 3/4”. They can be mounted inline or on subplates, in any position. A panel mounting nut is provided with each “RA” series valve.

The two models are available in four pressure ranges:

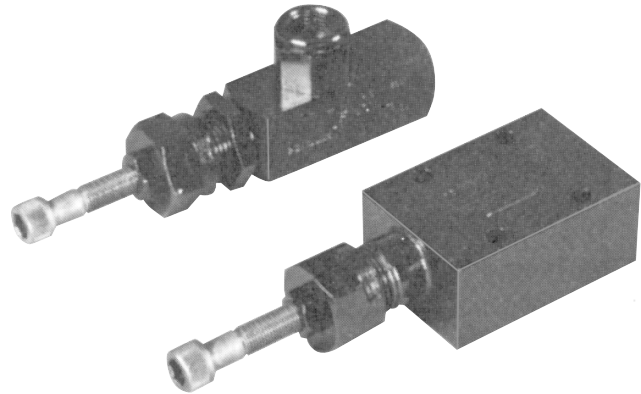
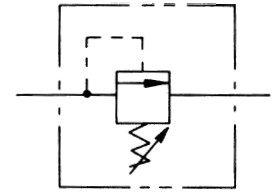
Minimum to 250 PSI (Min. to 17 Bar)

250 to 500 PSI (17 to 35 Bar)

500 to 1000 PSI (35 to 70 Bar)

1000 to 2000 PSI (70 to 140 Bar)

Operating pressure, max.: 3000 PSI (210 Bar)



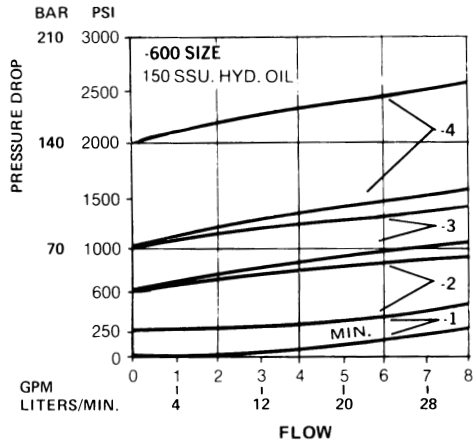
### Quick Reference Data Chart

Valve Model	Port Size, In.	Flow, Max. GPM (L/M)	Mounting
RA600S	3/8-NPTF	8 (30)	Inline
RA(S)600S	3/8-NPTF subplate port	8 (30)	Subplate
RA1200S	3/4-NPTF	20 (76)	Inline

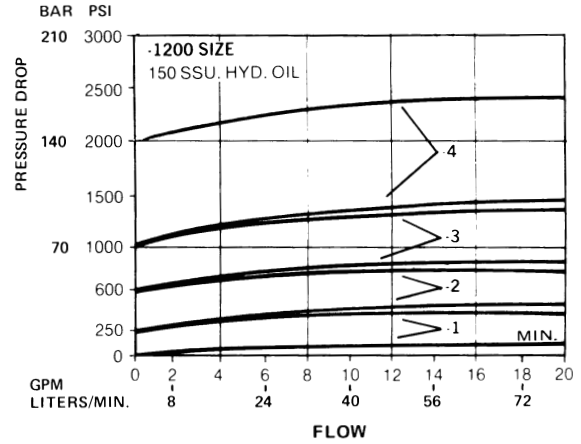


### Override

All relief valves are subject to override. For a given valve setting and flow, any change in flow will cause a change in relief pressure. See curves (relief pressure vs: flow).

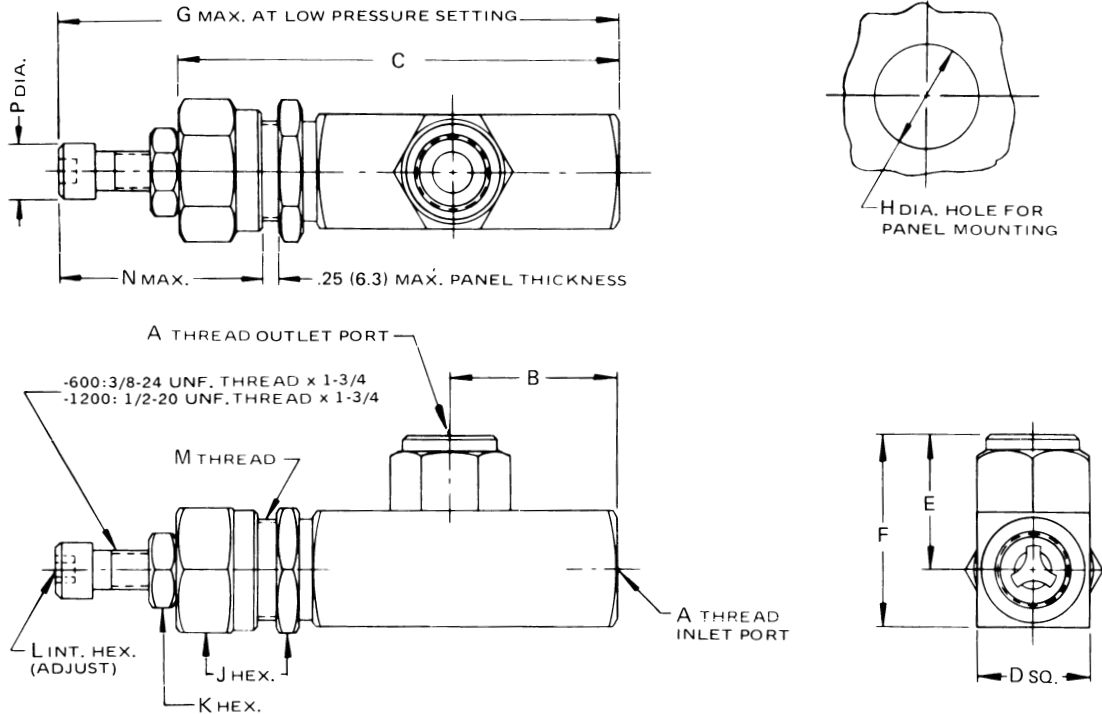


\_OVERRIDE CURVES  
MODELS RA600S and RA(S)600S



\_OVERRIDE CURVES  
MODEL RA1200S

### Dimensions



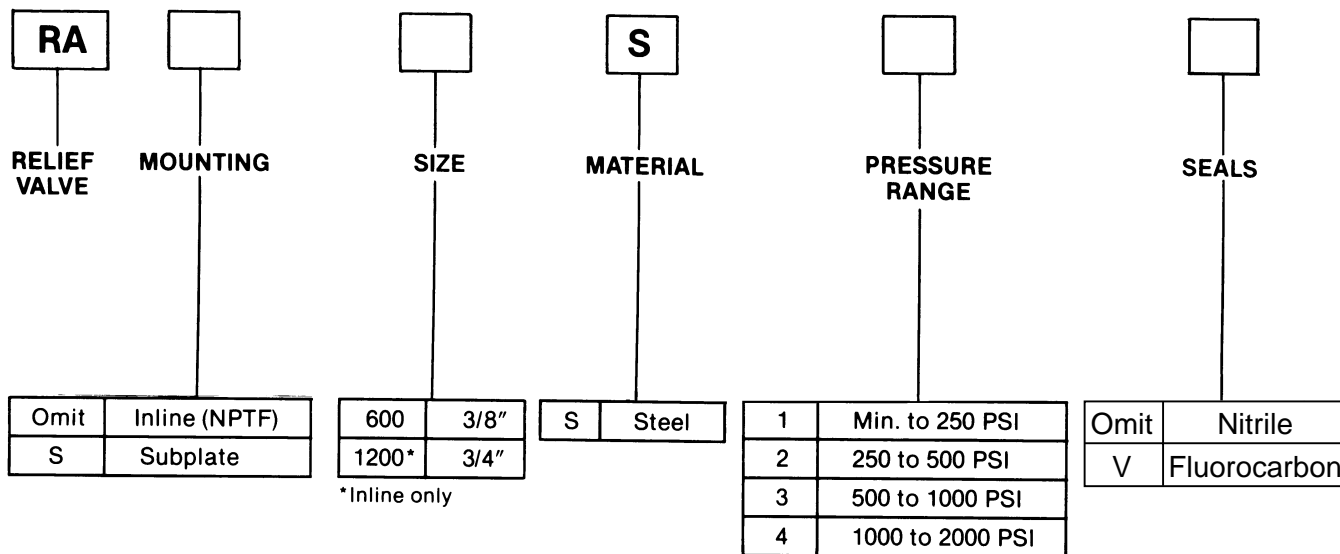
VALVE MODEL	A THREAD NPFT	B	C	D	E	F	G	H	J	K	L	M THREAD	N	WEIGHT Lb. (Kg.)	
RA600S	3/8-18	1.67 (42.4)	4.25 (108)	1.00 (25.4)	1.25 (32)	1.75 (44.4)	5.62 (142.7)	.906 (23)	1.125 (28.5)	.562 (14.2)	.312 (8)	7/8-14 UNF THREAD	2.12 (53.8)	.56 (14.2)	1.2 (0.5)
RA1200S	3/4-14	2.22 (56.3)	5.91 (150.1)	1.50 (38.1)	1.75 (44.4)	2.50 (63.5)	7.25 (184.1)	1.344 (34.1)	1.625 (41.2)	.75 (19)	.375 (9.5)	1-5/16-12 UNF THREAD	2.44 (61.9)	.75 (19)	3.2 (1.5)





### Ordering Information

Example: "RA600S3" means Model RA Direct-operated, Pressure-control relief valve, inline model, 3/8" steel, 500-1000 PSI pressure range.



### Bolt Kits

Model	Bolt Kit No.	Bolts	Torque
RAS 600S	BK04	1/4-20 x 1-3/4 SAE grade 8 or better	13 Ft. Lb.

