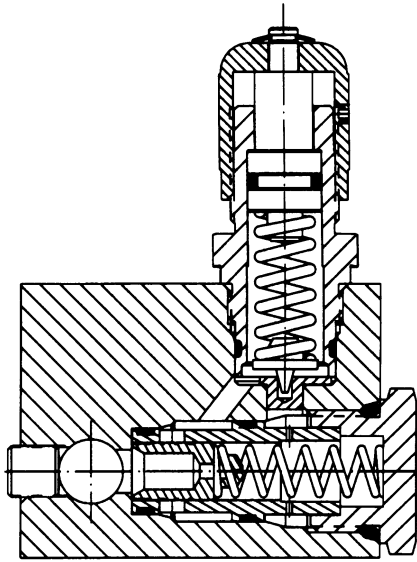


Catalog Series R6701



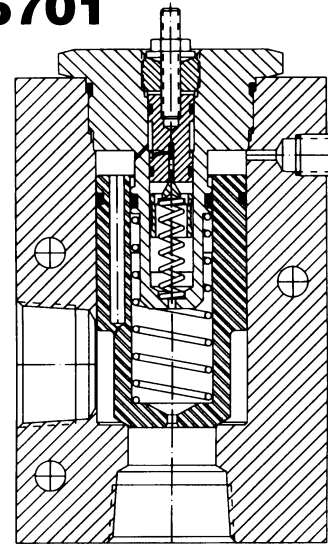
R6701 1/4 - 3/4

Features

- Accurate, quick response due to pressure balanced spool design.
- Available in 1/4" through 1-1/2".
- Can be equipped with Tel-lok cap for tamper-proof design (1/4 - 3/4 size only).
- High-volume pilot-operated relief (90 GPM) 1-1/4 and 1-1/2 poppet design available.

Specifications

Valve Size	Cv Factor Inlet to Inlet	Flow Rate GPM Max.	Vent Pressure at Max. Flow	Weight
1/4	1.5	6	65 PSI	4 Lbs. 12 Oz.
3/8	4.0	10	70 PSI	5 Lbs. 6 Oz.
1/2	9.0	15	30 PSI	7 Lbs.
3/4	12.5	25	50 PSI	9 Lbs. 10 Oz.
1 1/4	—	90	110 PSI	24 Lbs. 8 Oz.
1 1/2	—	90	110 PSI	24 Lbs. 8 Oz.



R6701 1-1/4 - 1-1/2

Specifications

Service Applications: Hydraulic oil.

Pressure Range:

Pressure Range	Adjustable Range & Size	
	1/4 - 3/4	1 1/4 - 1 1/2
1	100 to 1200 PSI	250 to 1200 PSI
2	1000 to 3000 PSI	1000 to 3000 PSI
3	3000 to 6000 PSI	3000 to 6000 PSI

Temperature Range: -40° to 250° F.

Sizes:

NPT: 1/4, 3/8, 1/2, 3/4, 1-1/4, 1-1/2.

Type Ports: NPT Pipe Threads.

Mounting:

R6701 — inline or panel; R6701 (1-1/4, 1-1/2) — 3 mounting holes .390" diameter.

Materials:

Body, Cap, Piston Sleeve,

Pilot Cap: Barstock steel.

Pilot Knob: Aluminum.

Piston, Adjustable

Stem, Pilot Piston,

Pilot Seat: Stainless steel series 400.

O-Rings: Synthetic rubber.

Back-up Rings: PTFE.

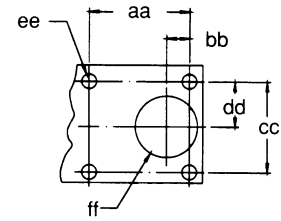
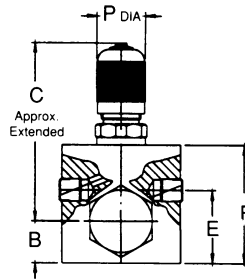
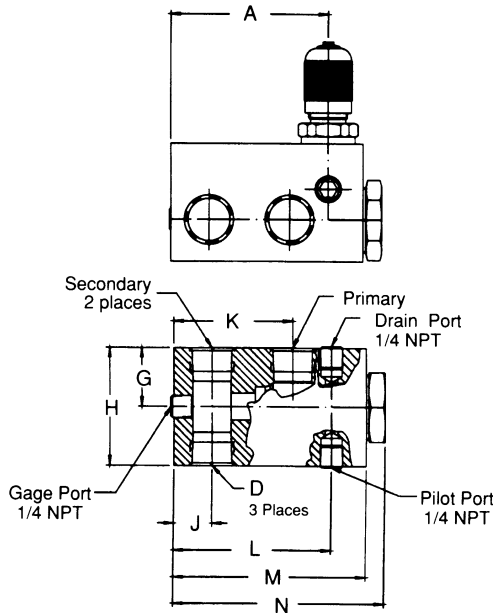
Pistons

(1-1/4, 1-1/2): Steel, carburized hardened.

Body Finish: Paint.

Dimensions

R6701 Sizes 1/4 - 3/4



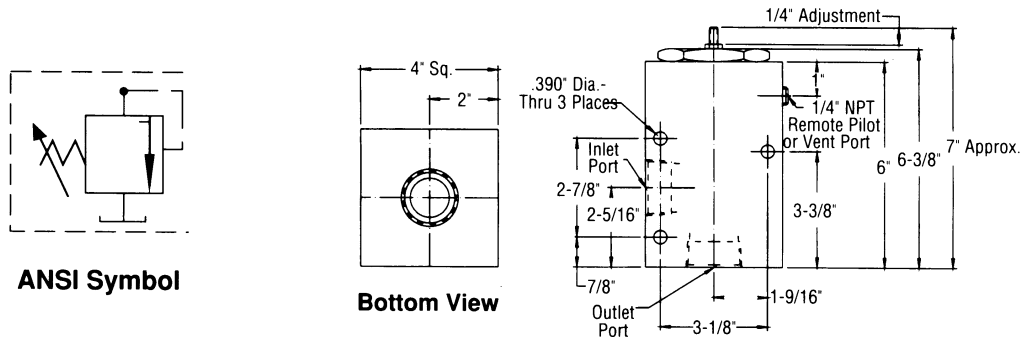
Panel Machining for Panel Mounted Valves

Panel Mounting Dimensions

Valve Size	aa	bb	cc	dd	ee	ff	Mounting Threads
1/4	1.750	0.531	1.750	0.875	0.281	1.4375	1/4 - 20NC-2
3/8							
1/2							
3/4	2.312	0.531	2.125	1.062	0.343	1.4375	5/16 - 18NC-2

Valve Size	A	B	C	Port Type D	E	F	G	H	J	K	L	M	N	P
1/4	2.313	.750	4.000	1/4 NPT	1.313	2.375	1.187	2.375	.625	1.563	2.313	3.125	3.437	1.125
3/8	2.750	.750	4.000	3/8 NPT	1.313	2.375	1.187	2.375	.750	2.000	2.750	3.562	3.875	1.125
1/2	3.188	.968	4.156	1/2 NPT	1.688	2.750	1.125	2.250	.750	2.250	3.188	4.000	4.437	1.125
3/4	3.688	.968	4.156	3/4 NPT	1.688	2.750	1.375	2.750	.891	2.781	3.688	4.500	4.937	1.125

R6701 Sizes 1-1/4 - 1-1/2



Interpretation of Valve Number

