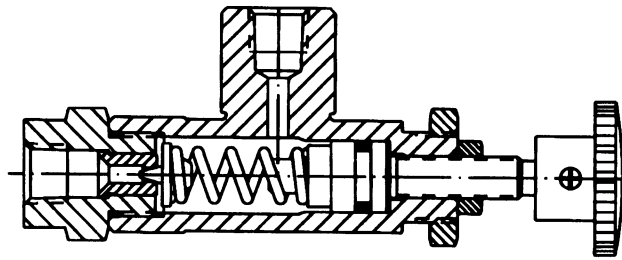


Catalog Series P6701

Specifications



Features

- Remote pilot for R6701, R6703, S6701, S6703, PR6701, and PR6703.
- Ideal for adjustable vent valve.

Service Applications: Hydraulic oil.

Pressure Range:

- Range 1: 100 to 1200 PSI
- Range 2: 1000 to 3000 PSI
- Range 3: 2500 to 6000 PSI

Pressures:

- Proof: 7500 PSI
- Burst: 12,000 PSI

Temperature Range: -40° to 250° F.

Sizes: NPT: 1/4.

Orifice Diameter: 1/8".

Type Ports: NPT Pipe Threads.

Internal Leakage:

Less than 1 DPM at 90% of cracking pressure.

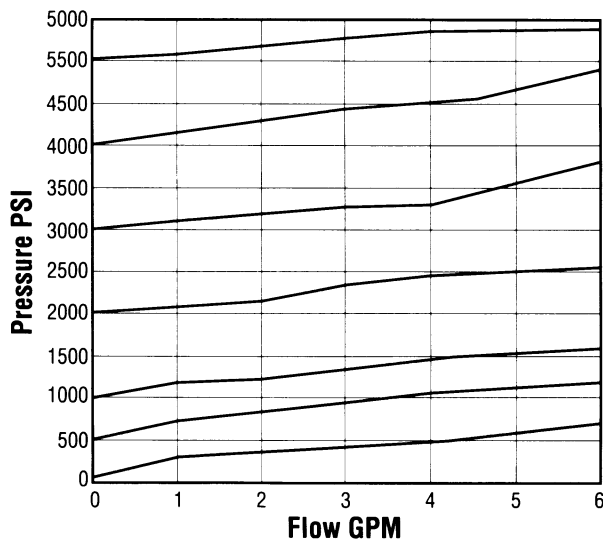
Mounting: Panel hole 27/32" diameter.

Materials:

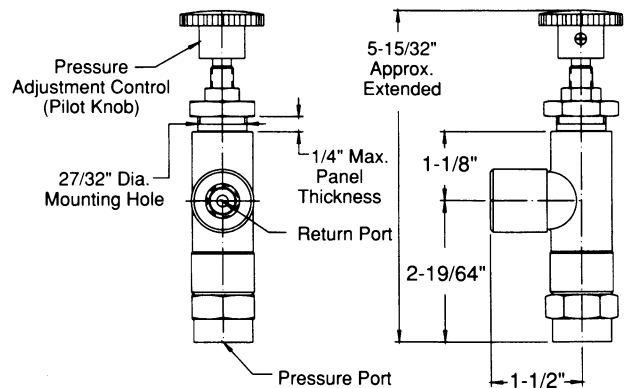
- Body: Forged aluminum alloy.
- Trim: Steel and stainless steel.
- O-Rings: Synthetic rubber.

Weight: 10 oz.

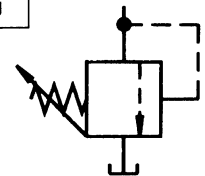
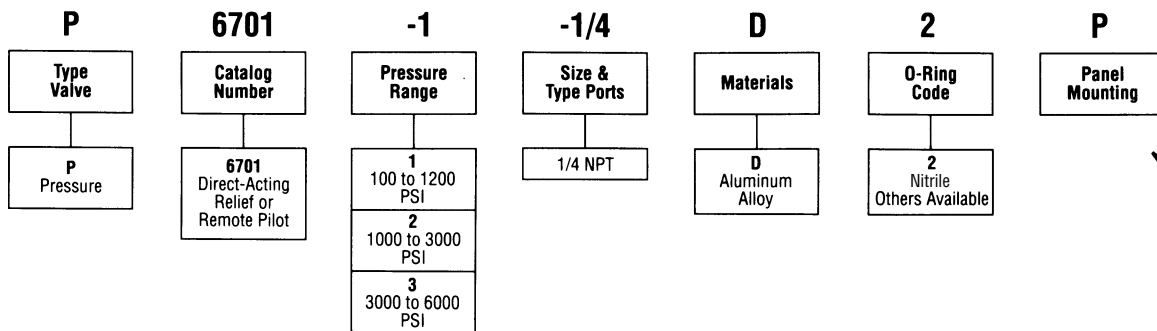
Flow Characteristics



Dimensions



Interpretation of Valve Number



ANSI Symbol