

## Series PR Pressure-Reducing Pressure Control Valves

These pressure-reducing valves maintain an independently controlled constant outlet pressure on one leg of the hydraulic system, regardless of pressure at the valve inlet or on the main relief valve. Inlet pressure on a Series PR valve must be higher than the pressure setting on the valve.

Made from alloy steel bar stock, Series PR valves are compact and require minimum space. They can be installed in any position. They are used on installations that do not require NFPA standard mountings, but that do require service of equal reliability.

The one-hand adjusting knob is self-locking at desired pressure. Pull the knob and turn to adjust; release knob to lock positively.

Drain lines of Series PR valves should be connected directly to tank below fluid level. Pressure in any drain line is in addition to the valve pressure setting chosen.

For certain unusual installations, the drain line can be pressurized or restricted to improve valve pressure-reducing performance. For example . . . if full pressure is applied to the drain, the Series PR Valve will lock open, preventing pressure reduction. Pressurizing or restricting the drain will avoid this. However, be careful in using Series PR Valves in other-than-normal applications; consult your Parker representative or the Factory.



Series PR Valves are available in three pressure adjustment ranges:

- 50 to 1000 PSI ( 3.5 to 70 Bar)
- 150 to 2000 PSI (10.5 to 140 Bar)
- 150 to 3000 PSI (10.5 to 210 Bar)

Operating pressure, max.:  
3000 PSI (210 Bar)

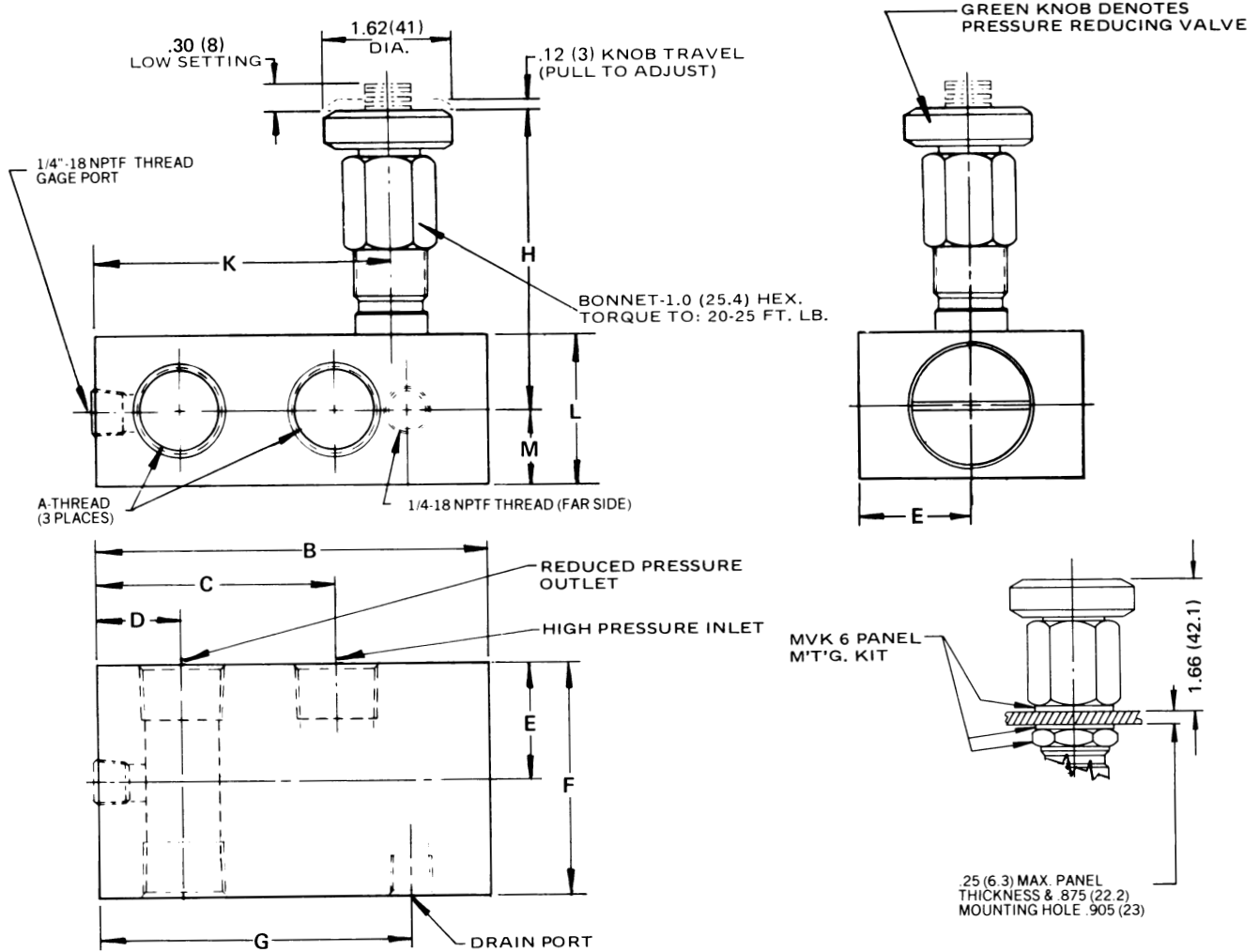
Pressure setting, min.:  
50 PSI (3.5 Bar) at rated flow.  
Changes in flow, viscosity, or temperature will affect valve minimum pressure.

### Quick Reference Data Chart

Valve Model	Port Size	Flow (Max)
PR400S	1/4 NPTF	6 GPM (25 L/M)
PR600S	3/8 NPTF	10 GPM (40 L/M)
PR800S	1/2 NPTF	15 GPM (60 L/M)

### Dimensions

Inline-Mounted, Pilot-Operated  
Pressure-Reducing Valves



Valve Model	A-Thread	B	C	D	E	F	G	H	K	L	M	Weight Lb. (Kg.)
PR400S	1/4-18 NPTF	3.00 (76.2)	1.60 (41)	.67 (17)	.88 (22.3)	1.75 (44.4)	2.25 (57.1)	3.16 (80.2)	2.04 (52)	1.12 (28.4)	.56 (14.2)	1.9 (0.9)
PR600S	3/8-18 NPTF	3.53 (90)	2.00 (51)	.75 (19)	1.00 (25.4)	2.00 (51)	2.77 (70.3)	3.22 (82)	2.62 (66.5)	1.25 (32)	.62 (16)	2.6 (1.2)
PR800S	1/2-14 NPTF	4.10 (104.1)	2.40 (61)	.91 (23.1)	1.12 (28.4)	2.25 (57.1)	3.17 (81)	3.34 (85)	3.03 (77)	1.50 (38.1)	.75 (19)	3.7 (1.7)



### Ordering Information

How to order Series PR Pressure-reducing Valves:  
Example: "PR400SVF" means Series PR, 1/4", steel, optional Fluorocarbon seal, 150-2000 PSI pressure range.

