

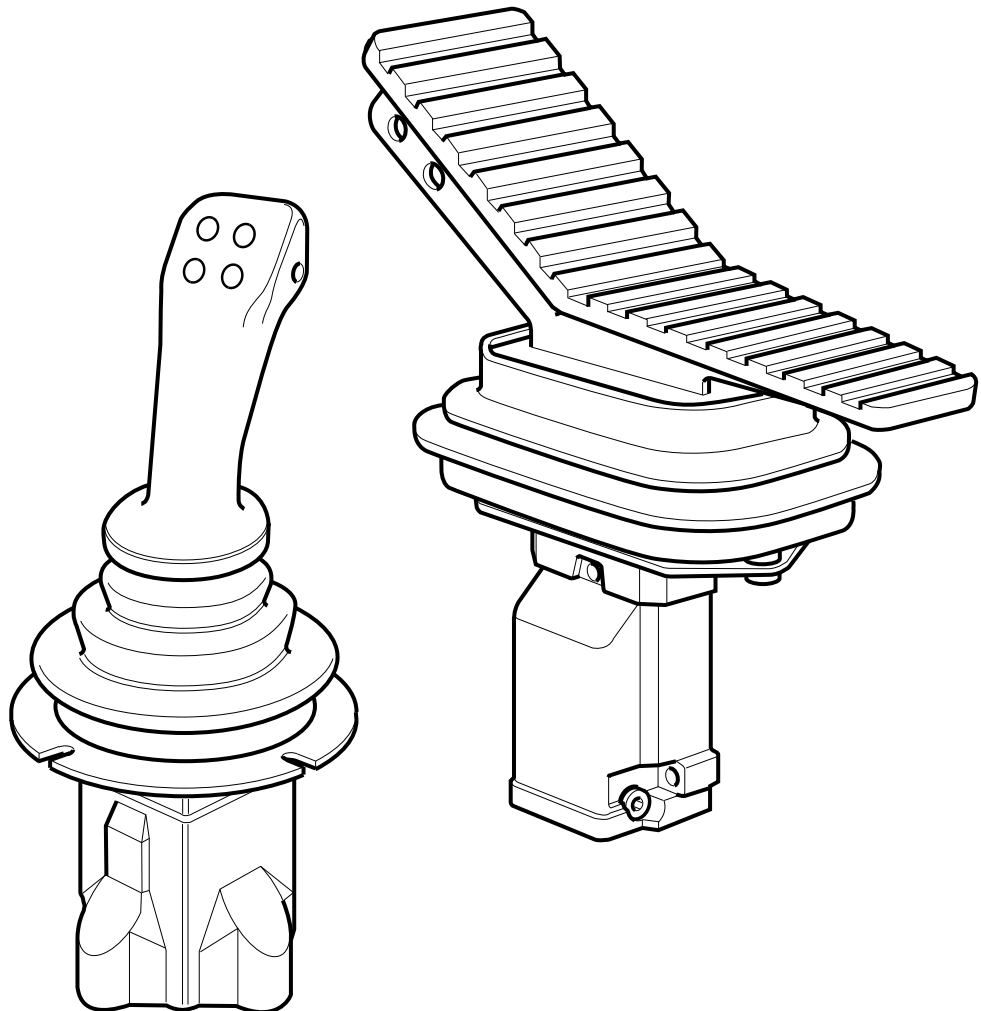


Spare Parts List

PCL4 01/02/04/05

*Hydraulic Proportional Remote Control
Valve Series*

Publication No HY17-8813/UK
April 2005



Conversion factors

1 kg	= 2.2046 lb
1 N	= 0.22481 lbf
1 bar	= 14.504 psi
1 l	= 0.21997 UK gallon
1 l	= 0.26417 US gallon
1 cm ³	= 0.061024 in ³
1 m	= 3.2808 feet
1 mm	= 0.03937 in
9/5 °C + 32	= °F



WARNING

FAILURE OR IMPROPER SELECTION OR IMPROPER USE OF THE PRODUCTS AND/OR SYSTEMS DESCRIBED HEREIN OR RELATED ITEMS CAN CAUSE DEATH, PERSONAL INJURY AND PROPERTY DAMAGE.

This document and other information from Parker Hannifin Corporation, its subsidiaries and authorized distributors provide product and/or system options for further investigation by users having technical expertise. It is important that you analyze all aspects of your application, including consequences of any failure, and review the information concerning the product or system in the current product catalogue. Due to the variety of operating conditions and applications for these products or systems, the user, through its own analysis and testing, is solely responsible for making the final selection of the products and systems and assuring that all performance, safety and warning requirements of the application are met.


The products described herein, including without limitation, product features, specifications, designs, availability and pricing, are subject to change by Parker Hannifin Corporation and its subsidiaries at any time without notice.



Offer of Sale



Please contact your Parker representation for a detailed "Offer of Sale".



List of contents	Page
PCL401	
Basic valve, mounting plate M1, N, plugs, bolts etc.	4 - 5
Handles PCL401, H1, E0 - E4	6 - 7
Handles PCL401, N0, N2, N4 etc.	8 - 9
Handles PCL401, N0, N2, N4 etc.	10 - 11
PCL402 (PCL404)	
Basic valve PCL402	12 - 13
Mounting plates M2 - M6, Lever link, PCL402	14 - 15
Detents MD2, ED2, PCL402	16 - 17
Friction ratchet S2, PCL402	18 - 19
Marine design A86, A87, A88	20 - 21
Handles PCL402, H3 - H7, E0 - E4	22 - 23
Foot pedal PCL404	24 - 25
Foot pedal PCL402 + A95	26 - 27
PCL405	
Foot pedal PCL405X, 405F	28 - 29

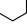
Spring Packs, Push Pin Sets have been moved to a separate document.

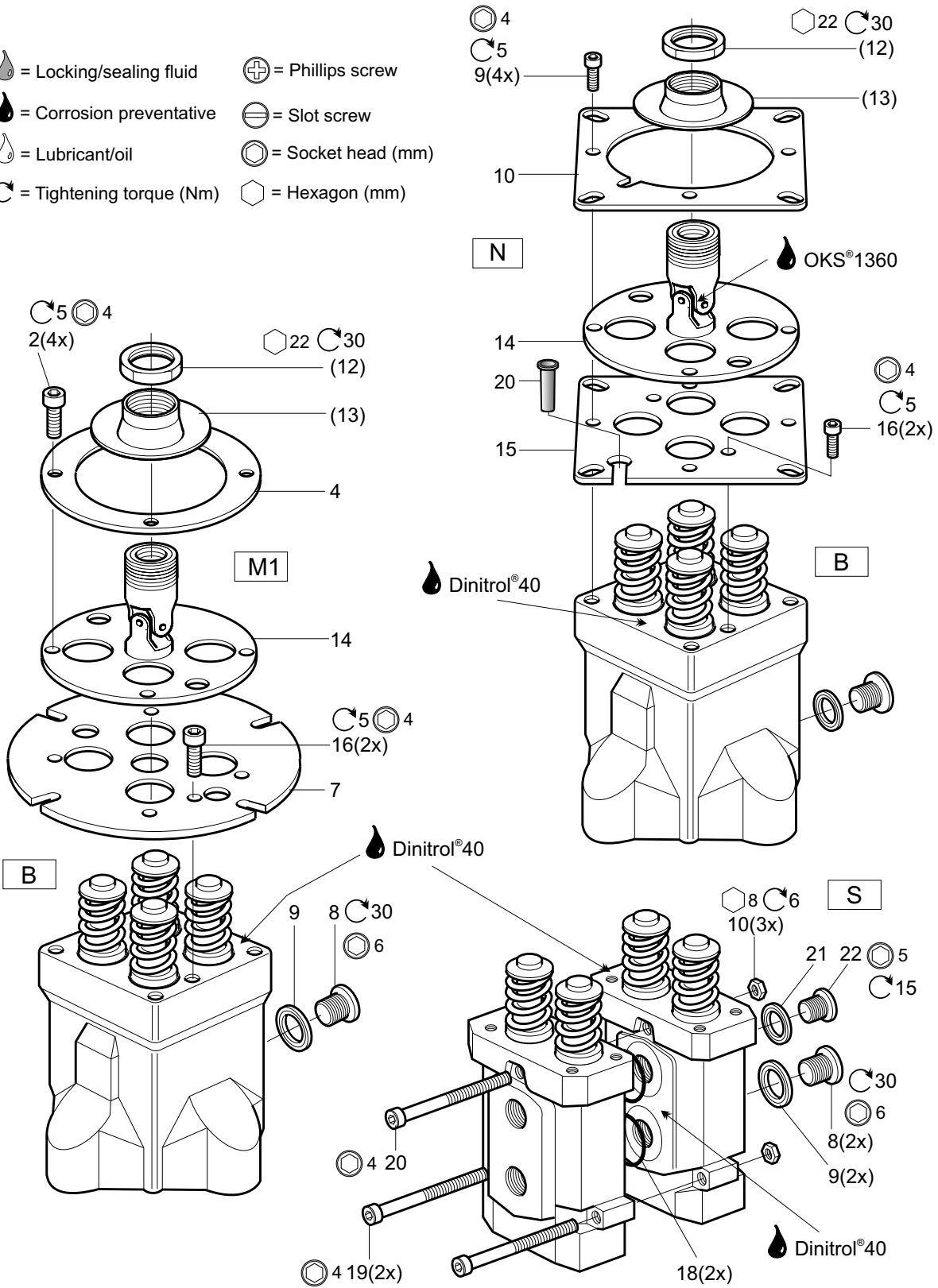
-  = Locking/sealing fluid

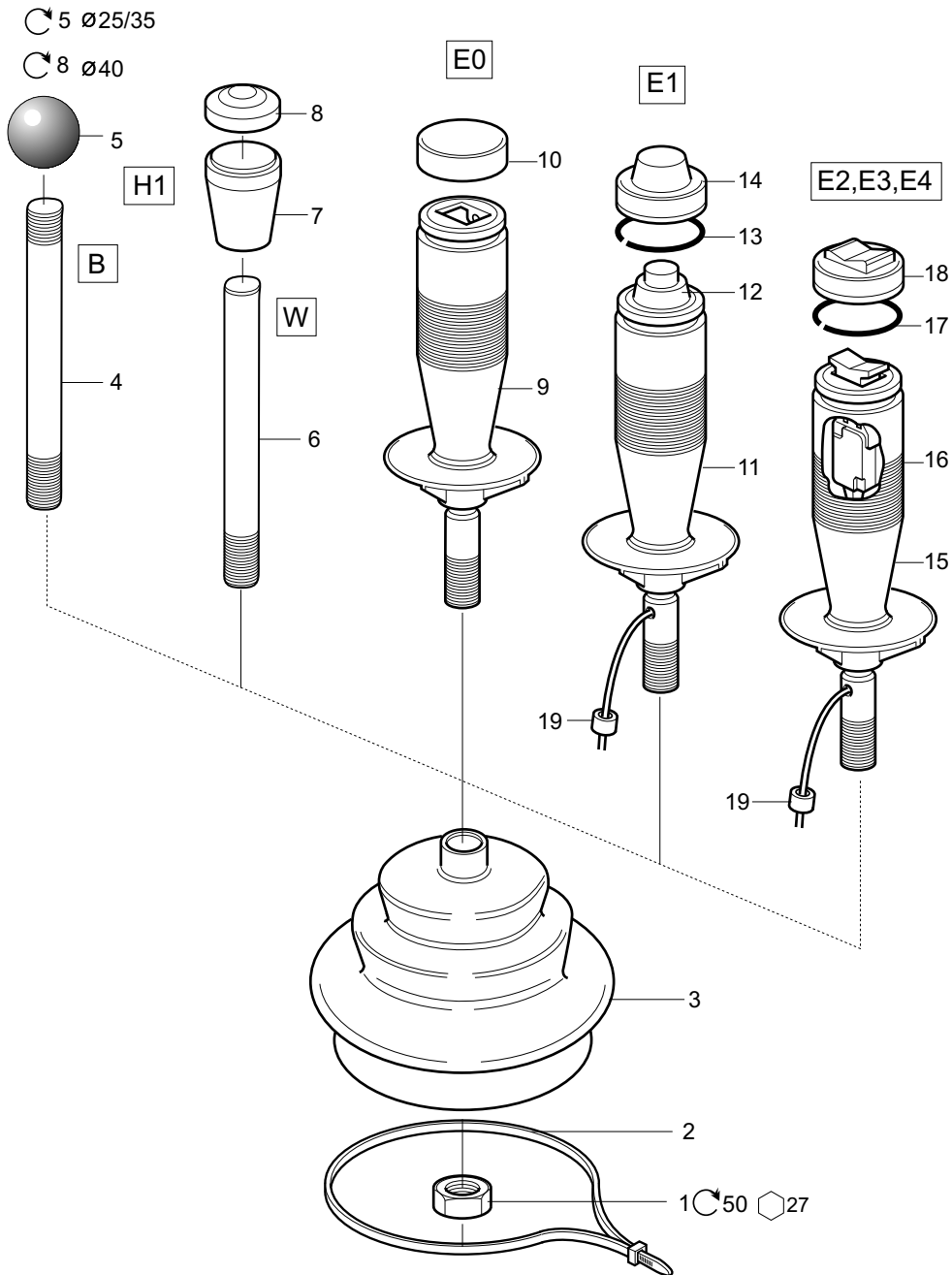
 = Phillips screw
-  = Corrosion preventative

 = Slot screw
-  = Lubricant/oil

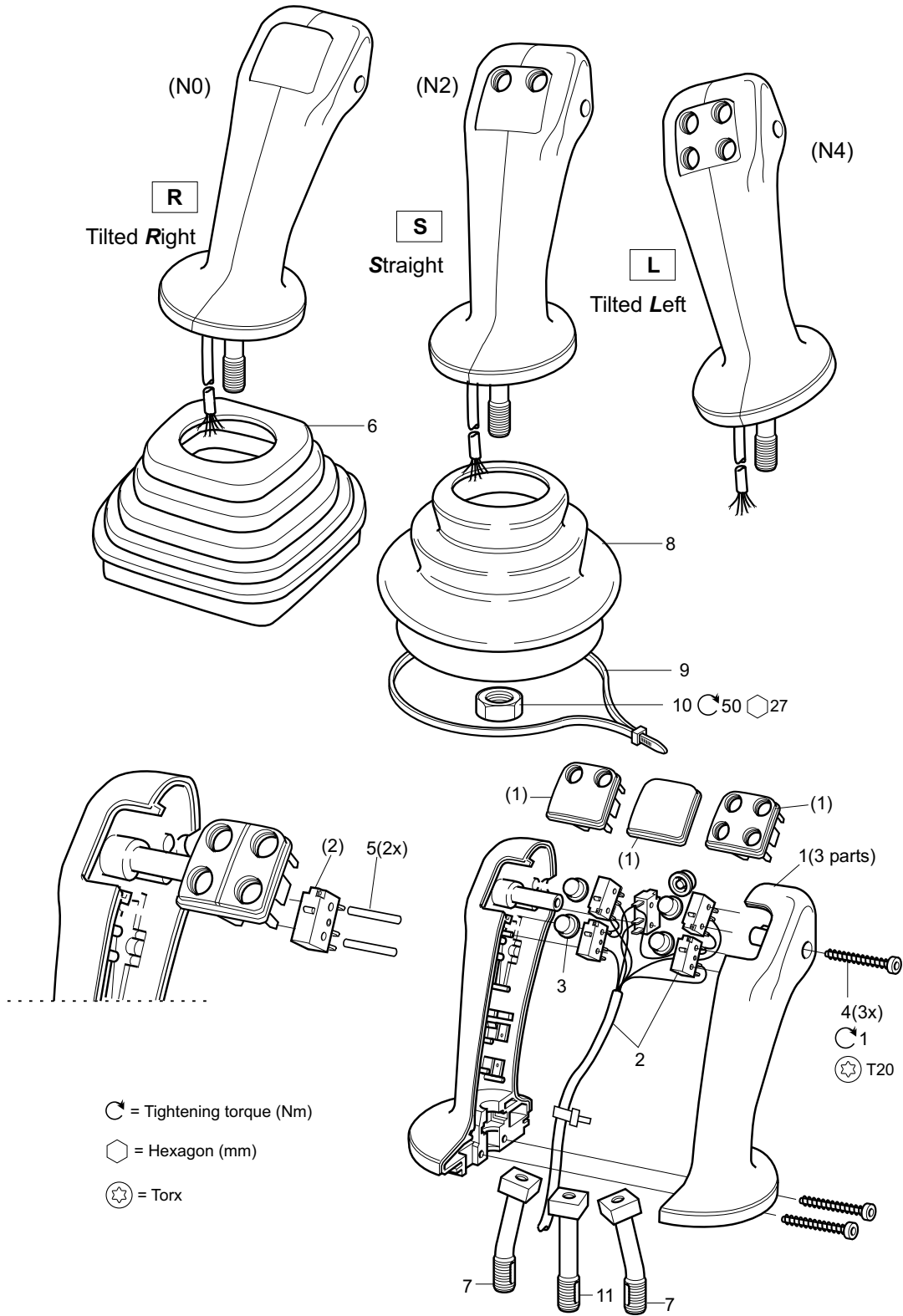
 = Socket head (mm)
-  = Tightening torque (Nm)

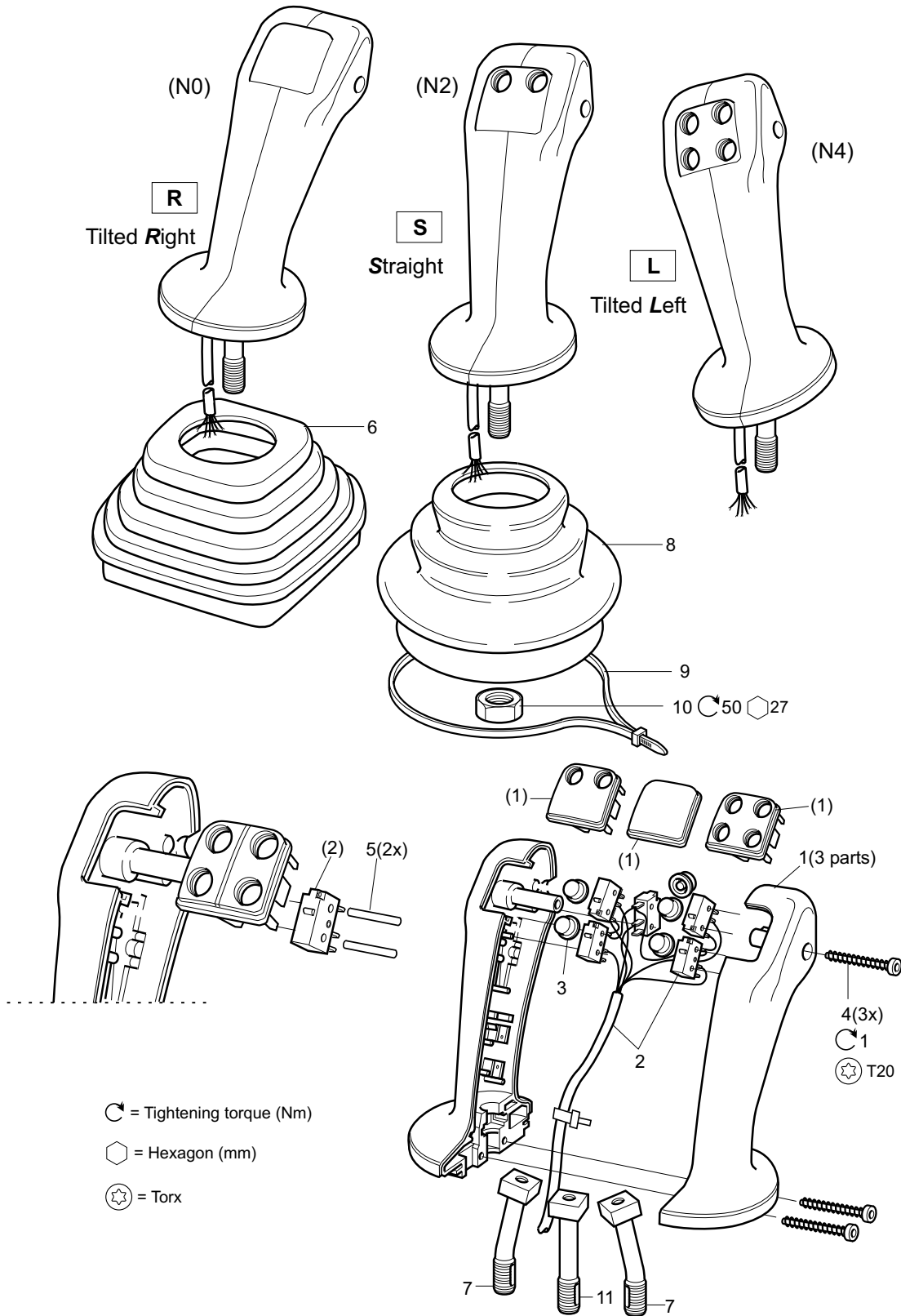
 = Hexagon (mm)









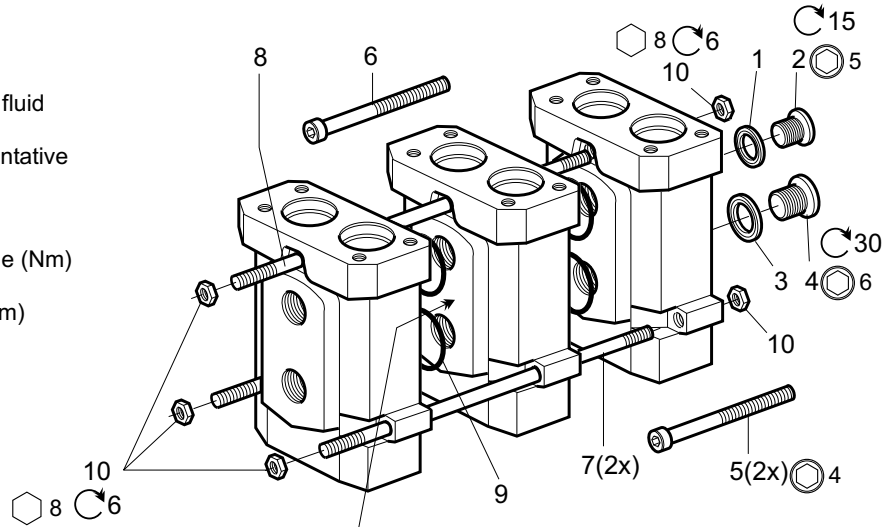



- = Locking/sealing fluid
- = Corrosion preventative
- = Lubricant/oil
- ⤵ = Tightening torque (Nm)
- + = Phillips screw
- = Slot screw
- ⊙ = Socket head (mm)
- ⬡ = Hexagon (mm)

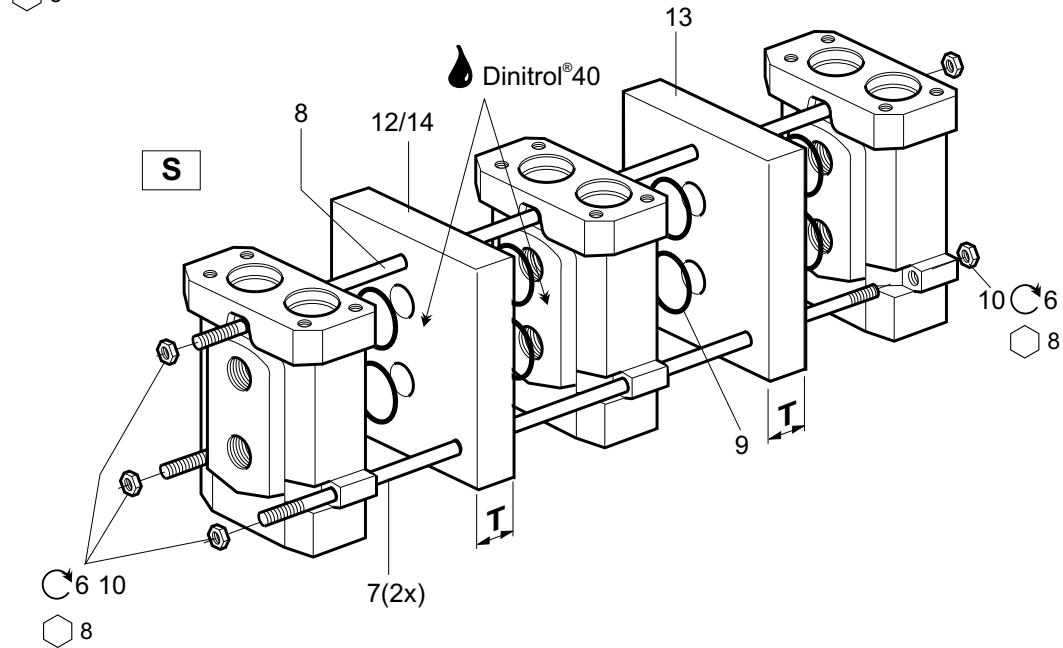
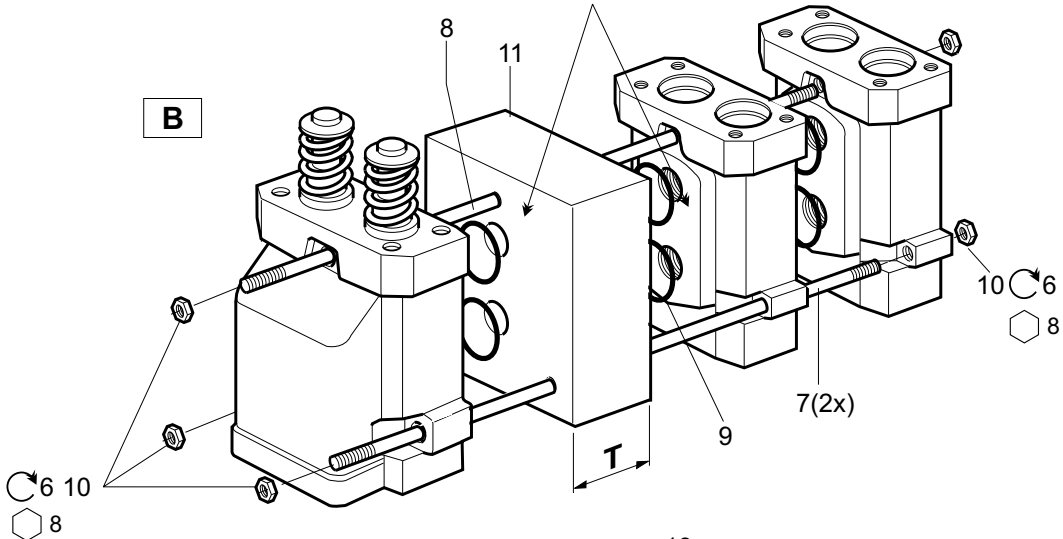




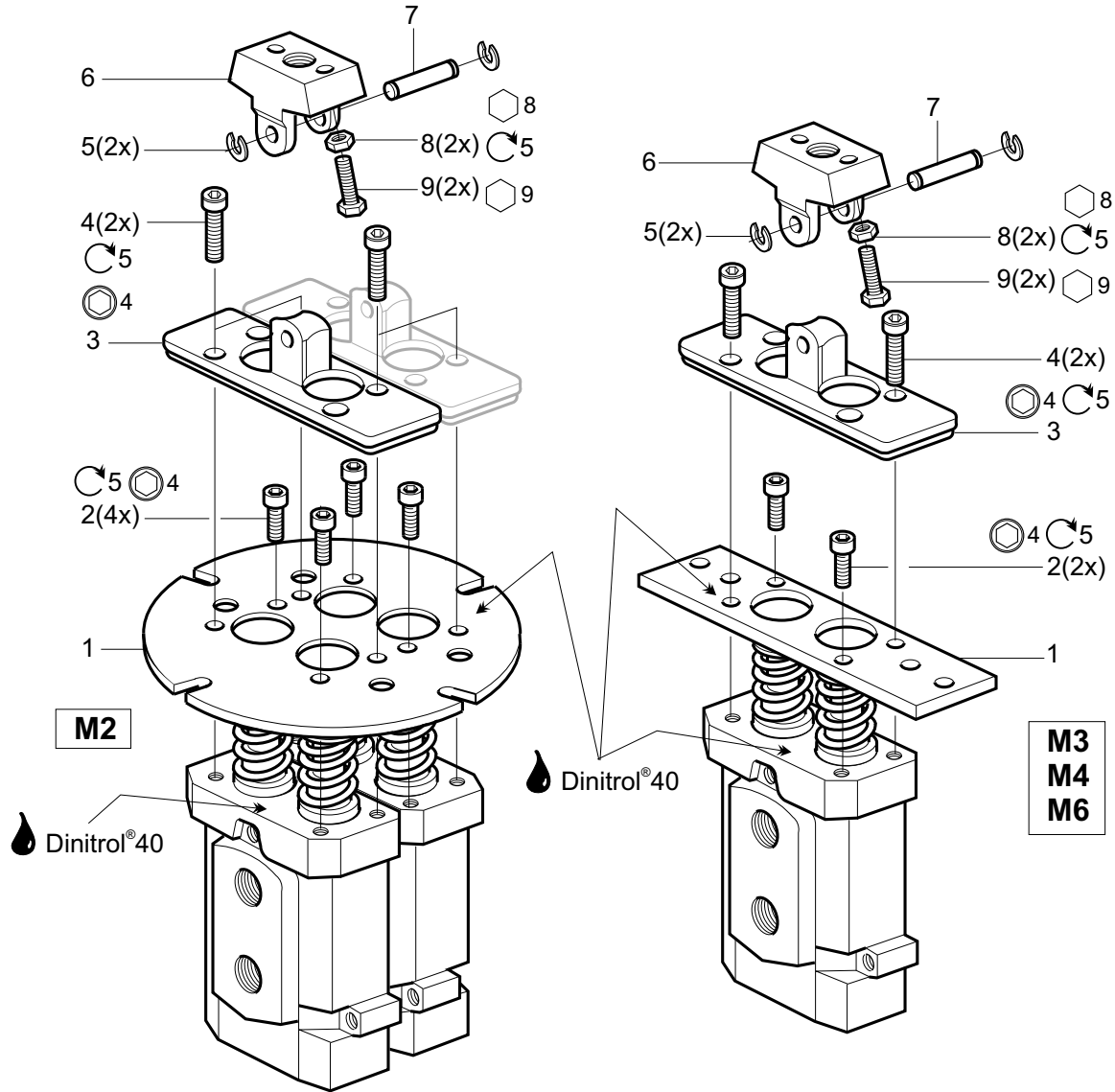
-  = Locking/sealing fluid
-  = Corrosion preventative
-  = Lubricant/oil
-  = Tightening torque (Nm)
-  = Socket head (mm)
-  = Hexagon (mm)



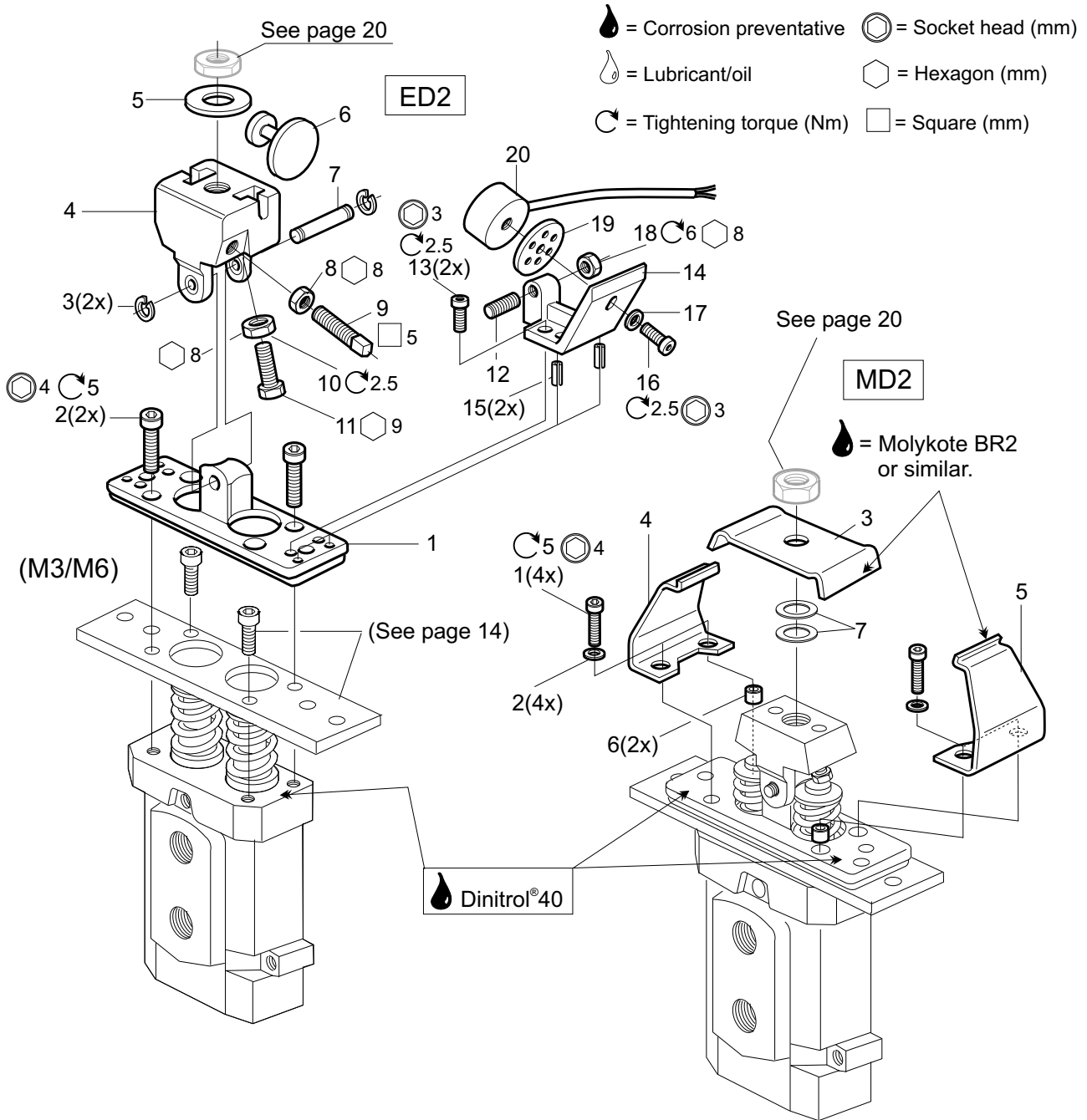
 Dinitrol®40

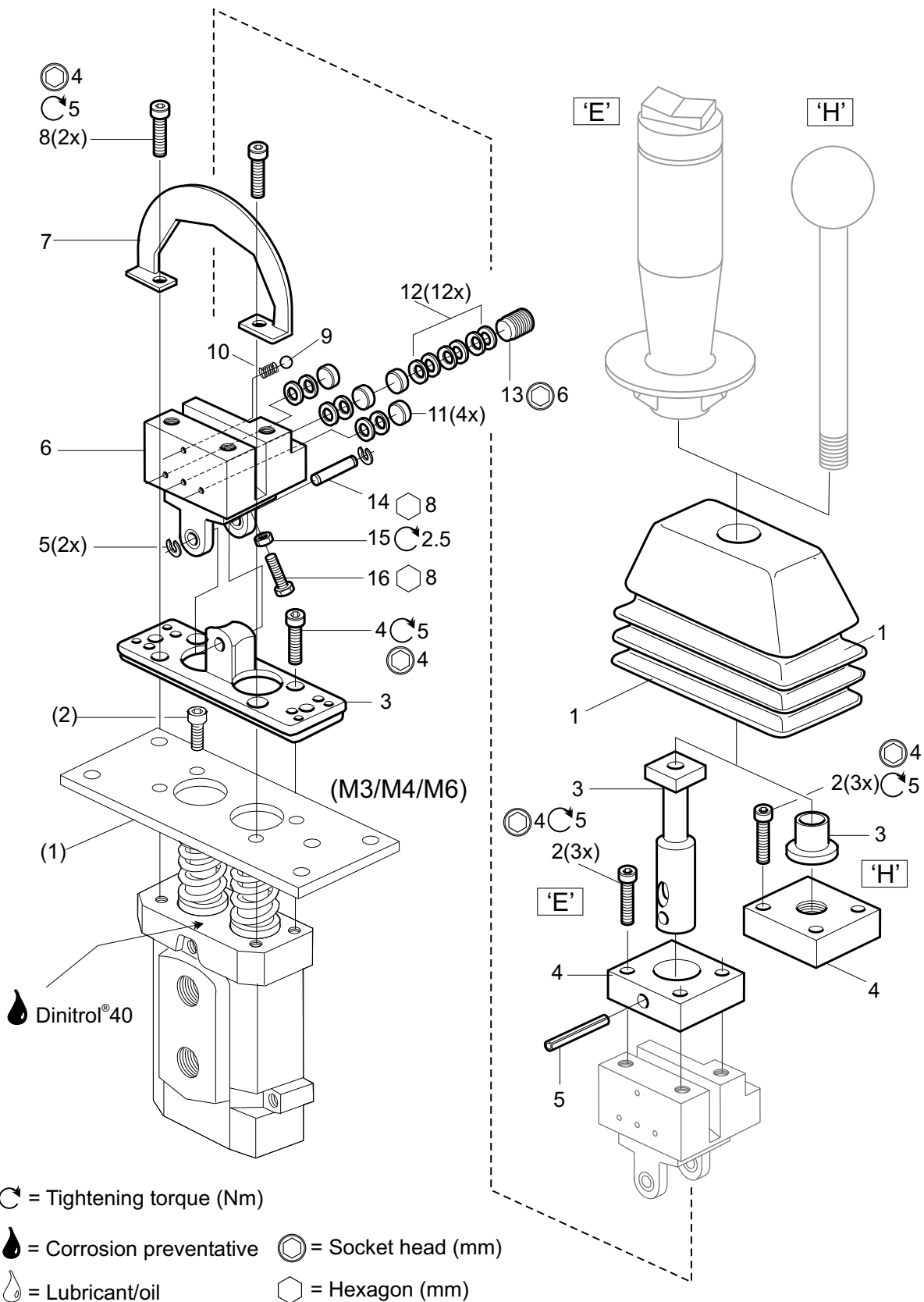


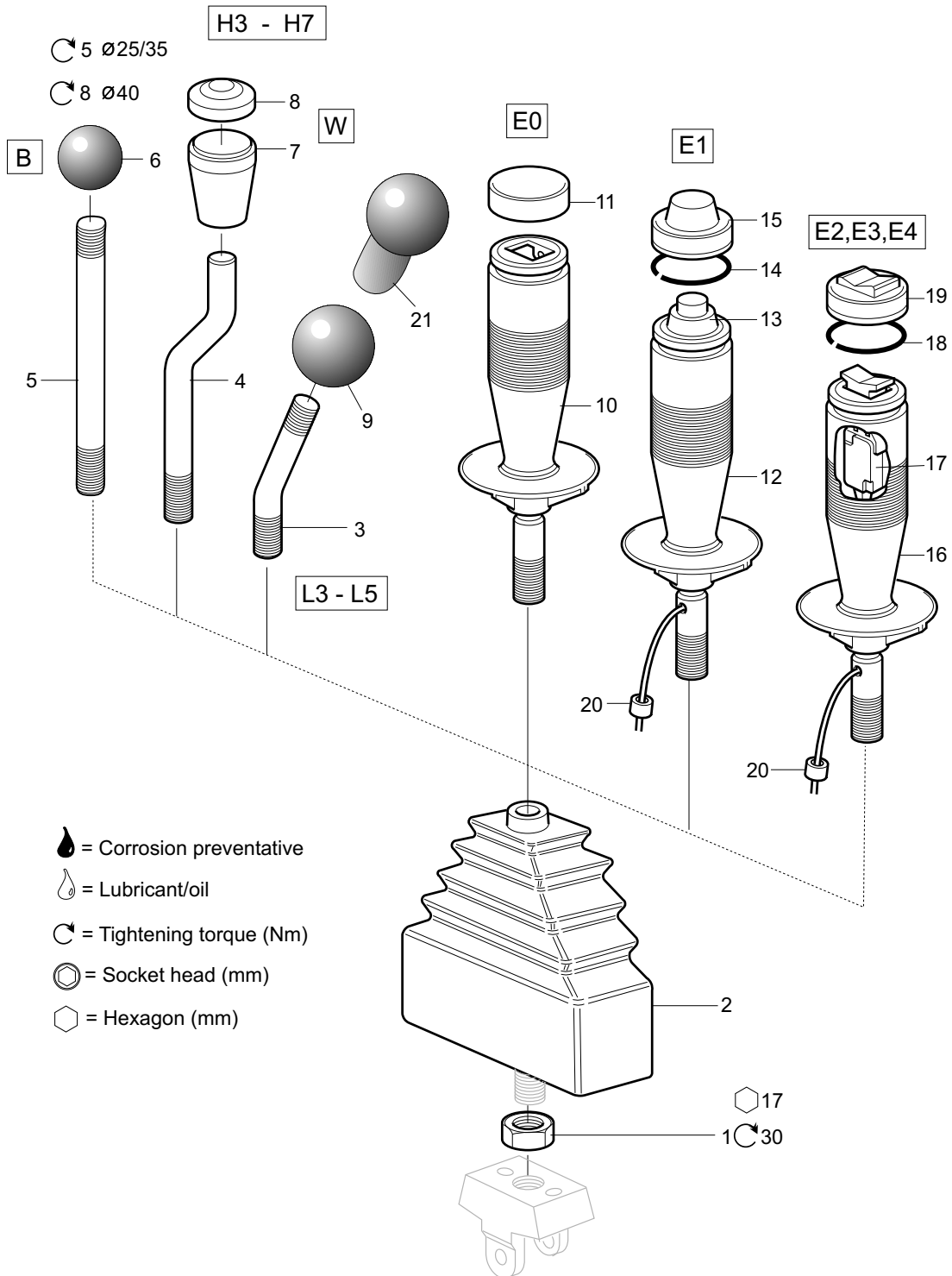
Code	Part#	Description	Remarks
-	9120089609	Plug kit M	Items 1, 2, 3, 4
-	9120089328	Plug kit BSP	Items 1, 2, 3, 4
-	9120089329	Plug kit UNF	Items 1, 2, 3, 4
-	06636127	O - ring	Item 9
-	02662107	Nut	Item 10
PCL402-4	9120089359	Tie-rod kit for 2 PCL402 sections	Items 5(2x), 6, 9(2x), 10(3x)
PCL402-6	9120089303	Tie-rod kit for 3 PCL402 sections	Items 7(2x), 8, 9(4x), 10(6x)
PCL402-8	9120089304	Tie-rod kit for 4 PCL402 sections	Items 7(2x), 8, 9(6x), 10(6x)
PCL402-10	9120089305	Tie-rod kit for 5 PCL402 sections	Items 7(2x), 8, 9(8x), 10(6x)
PCL402-12	9120089306	Tie-rod kit for 6 PCL402 sections	Items 7(2x), 8, 9(10x), 10(6x)
IB2	91262411	Spaceblock IB2	13 (T = 35 mm)
IB2	9120089303	Tie-rod kit for totally 3 sections	Items 7(2x), 8, 9(4x), 10(6x)
IB2	9120089304	Tie-rod kit for totally 4 sections	Items 7(2x), 8, 9(6x), 10(6x)
IB2	9120089305	Tie-rod kit for totally 5 sections	Items 7(2x), 8, 9(8x), 10(6x)
IB2	9120089306	Tie-rod kit for totally 6 sections	Items 7(2x), 8, 9(10x), 10(6x)
IB2	9120089509	Tie-rod kit for totally 7 sections	Items 7(2x), 8, 9(12x), 10(6x)
IB2	9120089510	Tie-rod kit for totally 8 sections	Items 7(2x), 8, 9(14x), 10(6x)
IB2	9120089511	Tie-rod kit for totally 9 sections	Items 7(2x), 8, 9(16x), 10(6x)
IB22	3767740	Spaceblock IB22	12 (T = 22 mm)
IB22	9120089696	Tie-rod kit for 2 PCL402 sections a)	Items 7(2x), 8, 9(4x),10(6x)
IB22	9120089697	Tie-rod kit for 3 PCL402 sections a)	Items 7(2x), 8, 9(8x),10(6x)
IB22	9120089698	Tie-rod kit for 4 PCL402 sections a)	Items 7(2x), 8, 9(12x),10(6x)
IB22	9120089699	Tie-rod kit for 5 PCL402 sections a)	Items 7(2x), 8, 9(16x),10(6x)
IB19	9126348501	Spaceblock IB19	14 (T = 19 mm)
IB19	9120089530	Tie-rod kit for 2 PCL402 sections a)	Items 7(2x), 8, 9(4x),10(6x)
IB19	9120089531	Tie-rod kit for 3 PCL402 sections a)	Items 7(2x), 8, 9(8x),10(6x)
IB19	9120089532	Tie-rod kit for 4 PCL402 sections a)	Items 7(2x), 8, 9(12x),10(6x)
IB19	9120089533	Tie-rod kit for 5 PCL402 sections a)	Items 7(2x), 8, 9(16x),10(6x)
IB67	9126348502	Spaceblock IB67	11 (T = 67 mm)
IB67	9120089534	Tie-rod kit for 2 PCL402 sections a)	Items 7(2x), 8, 9(4x),10(6x)
IB67	9120089535	Tie-rod kit for 3 PCL402 sections a)	Items 7(2x), 8, 9(8x),10(6x)
			Other combinations as above, on request
			a) With one IB-plate between all PCL sections.



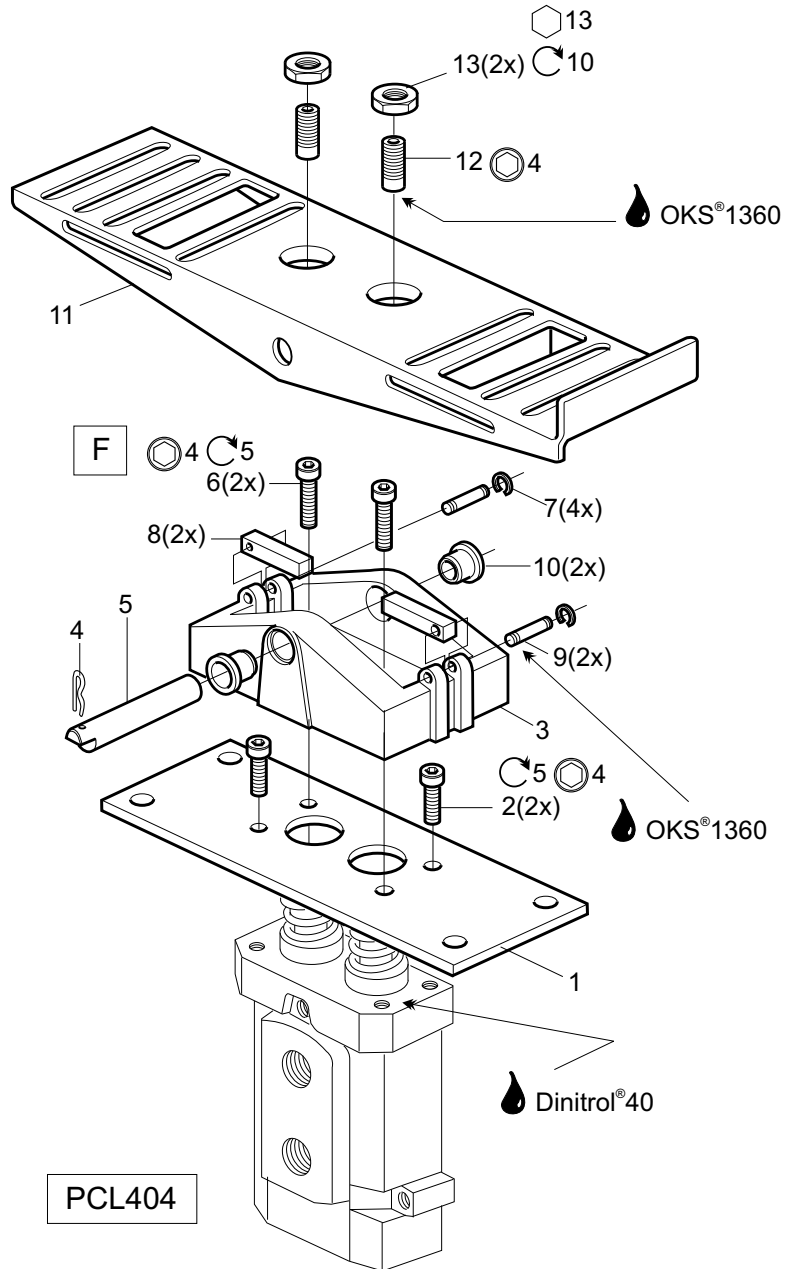
- = Corrosion preventative
 = Socket head (mm)
- = Lubricant/oil
 = Hexagon (mm)
- = Tightening torque (Nm)



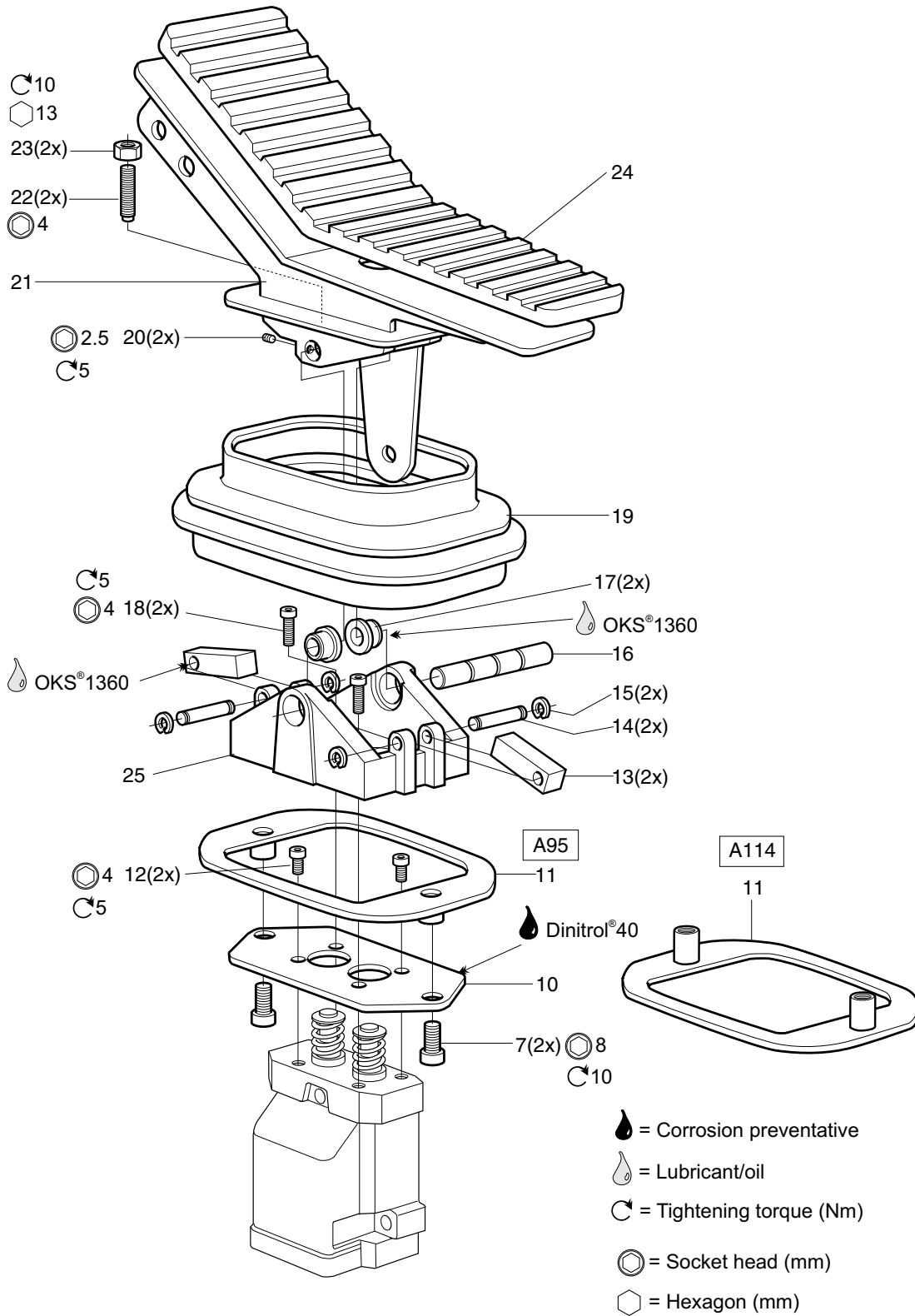




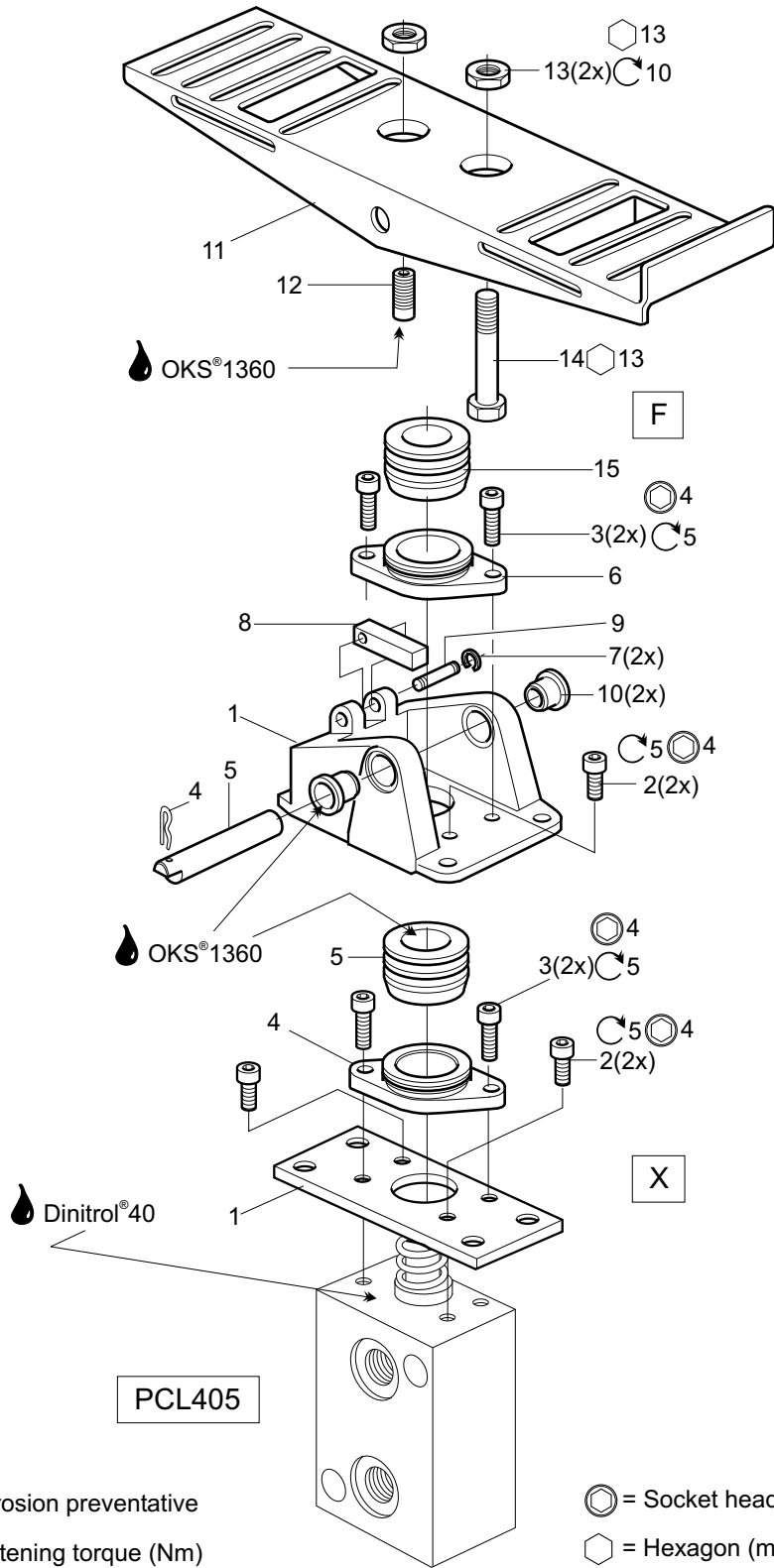
Code	Part#	Description	Remarks
-	9126900002	Window	Item 8
-	03621116	Handle ball, ø 25	Item 6
-	02662111	Nut	Item 1
-	91236609	Bellows	Item 2
-	91272645	Cap, E0	Item 11
-	91239149	Rubber cap, E1	Item 15
-	91259620	Switch, E1	Item 13
-	91259556	Rubber cap	Item 19
-	91259557	Switch, E2/E3/E4	Item 17
H3-B	9120089362	Lever handle H3 - B	Items 1, 2, 5, 6
H3-BS	9120089713	Lever handle H3 - B	Items 1, 2, 5, 6 Stainless steel lever stem
H4-B	9120089363	Lever handle H4 - B	Items 1, 2, 5, 6
H5-B	9120089364	Lever handle H5 - B	Items 1, 2, 5, 6
H6-B	9120089365	Lever handle H6 - B	Items 1, 2, 5, 6
H7-B	9120089366	Lever handle H7 - B	Items 1, 2, 5, 6
H3-W	9120089367	Lever handle H3 - W	Items 1, 2, 4, 7, 8
H4-W	9120089368	Lever handle H4 - W	Items 1, 2, 4, 7, 8
H5-W	9120089369	Lever handle H5 - W	Items 1, 2, 4, 7, 8
H6-W	9120089370	Lever handle H6 - W	Items 1, 2, 4, 7, 8
H7-W	9120089371	Lever handle H7 - W	Items 1, 2, 4, 7, 8
L3	91271123	Stem, lever handle L3	Item 3
L4	91271126	Stem, lever handle L4	Item 3
L5	3764827	Stem, lever handle L5	Item 3
L3 - L5	91259049	Handle ball, L3 - L5	Item 9
E0	9120089538	Lever handle E0	Items 10(1, 2, 11)
E1	9120089372	Lever handle E1	Items 12(1, 2, 13, 14, 15, 20)
E2	9120089373	Lever handle E2	Items 16(1, 2, 17, 18, 19, 20)
E3	9120089374	Lever handle E3	Items 16(1, 2, 17, 18, 19, 20)
E4	9120089375	Lever handle E4	Items 16(1, 2, 17, 18, 19, 20)
-	9120089692	Knob (A108, A109, A112)	Item 21 (4 pcs/kit)



= Corrosion preventative = Socket head (mm)
 = Tightening torque (Nm) = Hexagon (mm)



Spare Parts List
PCL4



☹ = Corrosion preventative
 ↻ = Tightening torque (Nm)

⊙ = Socket head (mm)
 ⬡ = Hexagon (mm)

Hydraulics Group Sales Offices

Europe

Austria
Wiener Neustadt
Tel: +43 (0)2622 23501
Fax: +43 (0)2622 66212

Belgium
Nivelles
Tel: +32 (0)67 280 900
Fax: +32 (0)67 280 999

Czech Republic
Prague
Tel: +420 2 830 85 221
Fax: +420 2 830 85 360

Denmark
Ballerup
Tel: +45 4356 0400
Fax: +45 4373 8431

Finland
Vantaa
Tel: +358 (0)9 4767 31
Fax: +358 (0)9 4767 3200

France
Contamine-sur-Arve
Tel: +33 (0)450 25 80 25
Fax: +33 (0)450 03 67 37

Germany
Kaarst
Tel: +49 (0)2131 4016 0
Fax: +49 (0)2131 4016 9199

Hungary
Budapest
Tel: +36 (06)1 220 4155
Fax: +36 (06)1 422 1525

Ireland
Dublin
Tel: +353 (0)1 293 9999
Fax: +353 (0)1 293 9900

Italy
Corsico (MI)
Tel: +39 02 45 19 21
Fax: +39 02 4 47 93 40

The Netherlands
Oldenzaal
Tel: +31 (0)541 585000
Fax: +31 (0)541 585459

Norway
Ski
Tel: +47 64 91 10 00
Fax: +47 64 91 10 90

Poland
Warsaw
Tel: +48 (0)22 863 49 42
Fax: +48 (0)22 863 49 44

Portugal
Leca da Palmeira
Tel: +351 22 9997 360
Fax: +351 22 9961 527

Slovakia
Ref. Czech Republic

Spain
Madrid
Tel: +34 91 675 73 00
Fax: +34 91 675 77 11

Sweden
Spånga
Tel: +46 (0)8 597 950 00
Fax: +46 (0)8 597 951 10

United Kingdom
Warwick
Tel: +44 (0)1926 317 878
Fax: +44 (0)1926 317 855

International

Australia
Castle Hill
Tel: +61 (0)2-9634 7777
Fax: +61 (0)2-9899 6184

Canada
Milton, Ontario
Tel: +1 905-693-3000
Fax: +1 905-876-0788

China
Beijing
Tel: +86 10 6561 0520
Fax: +86 10 6561 0526

Asia Pacific Group
Hong Kong, Kowloon
Tel: +852 2428 8008
Fax: +852 2425 6896

India
Mumbai
Tel: +91 22 7907081
Fax: +91 22 7907080

Japan
Tokyo
Tel: +(81) 3 6408 3900
Fax: +(81) 3 5449 7201

Latin America Group
Brazil
Tel: +55 12 3954-5100
Fax: +55 12 3954-5266

South Africa
Kempton Park
Tel: +27 (0)11-961 0700
Fax: +27 (0)11-392 7213

USA
Cleveland (industrial)
Tel: +1 216-896-3000
Fax: +1 216-896-4031
Lincolnshire (mobile)
Tel: +1 847-821-1500
Fax: +1 847-821-7600

Parker Hannifin is the world's premier supplier of motion and control systems and solutions, with sales and manufacturing facilities throughout the world. For product information and details of your nearest Parker sales office, visit us at www.parker.com/euro_mcd or call free on 00800 2727 5374.



Publication No HY17-8813/UK

© Copyright 2004
Parker Hannifin Corporation
All rights reserved.