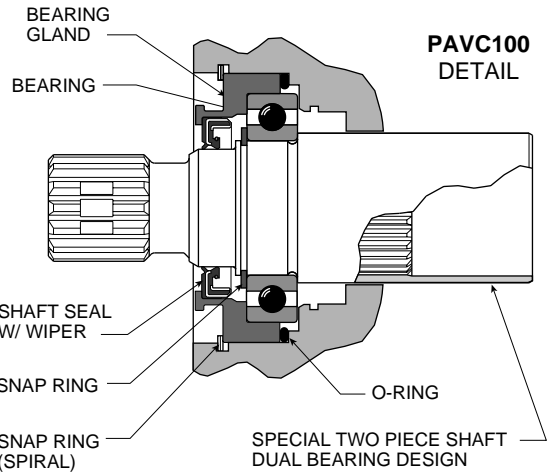
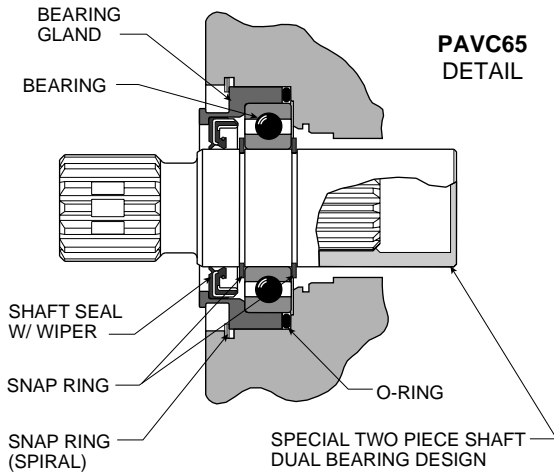
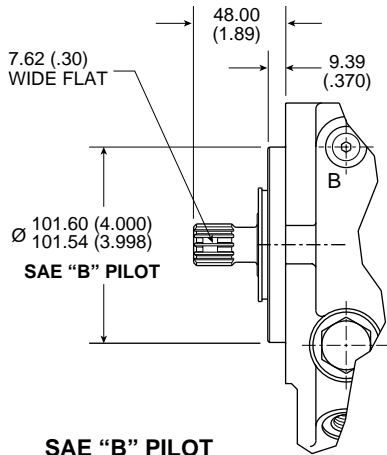


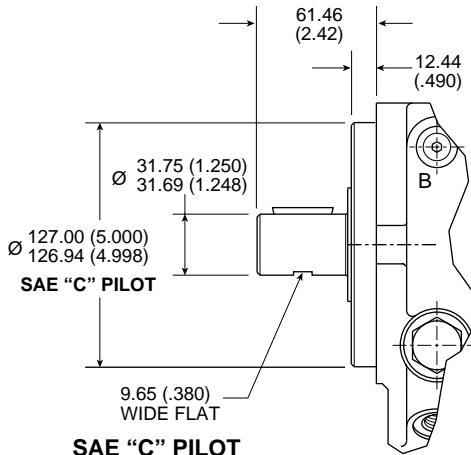
Harsh Environment Seal Option



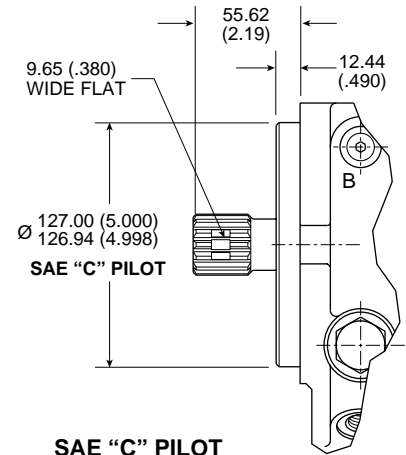
PAVC65 - Harsh Environment-Shaft and Pilot Configurations



SAE "B" PILOT
 SAE "B" SPLINE SHAFT
 13 TOOTH, 16/32 D.P.

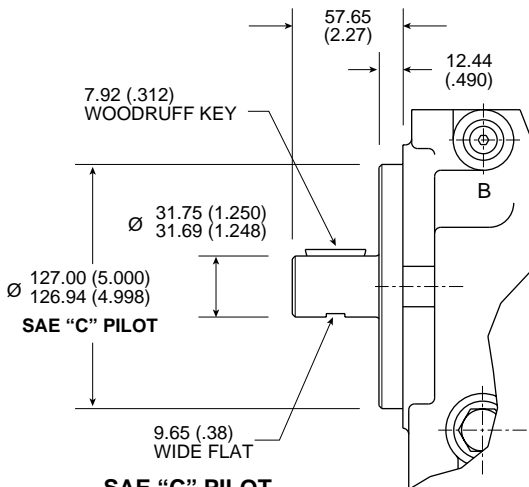


SAE "C" PILOT
 1-1/4" (31.75) DIA.
 5/16" (7.9) KEYED SHAFT

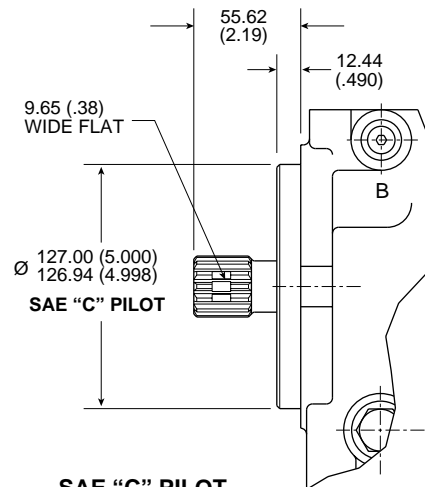


SAE "C" PILOT
 SAE "C" SPLINE SHAFT
 14 TOOTH, 12/24 D.P.

PAVC100 - Harsh Environment-Shaft and Pilot Configurations



SAE "C" PILOT
 1-1/4" (31.75) DIA.
 5/16" (7.9) KEYED SHAFT



SAE "C" PILOT
 SAE "C" SPLINE SHAFT
 14 TOOTH, 12/24 D.P.