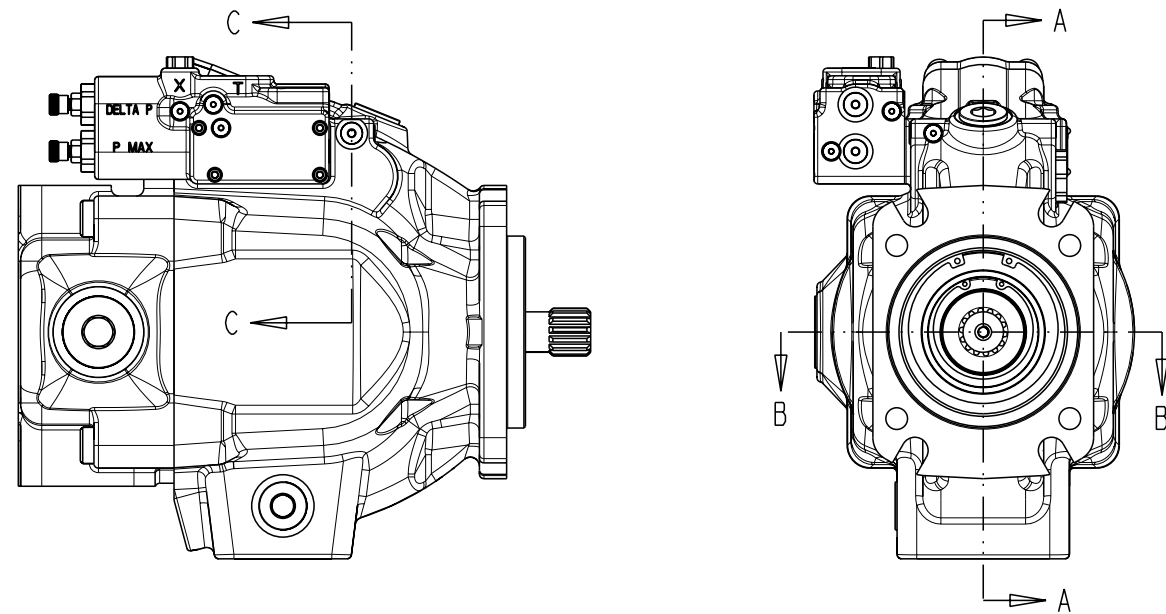
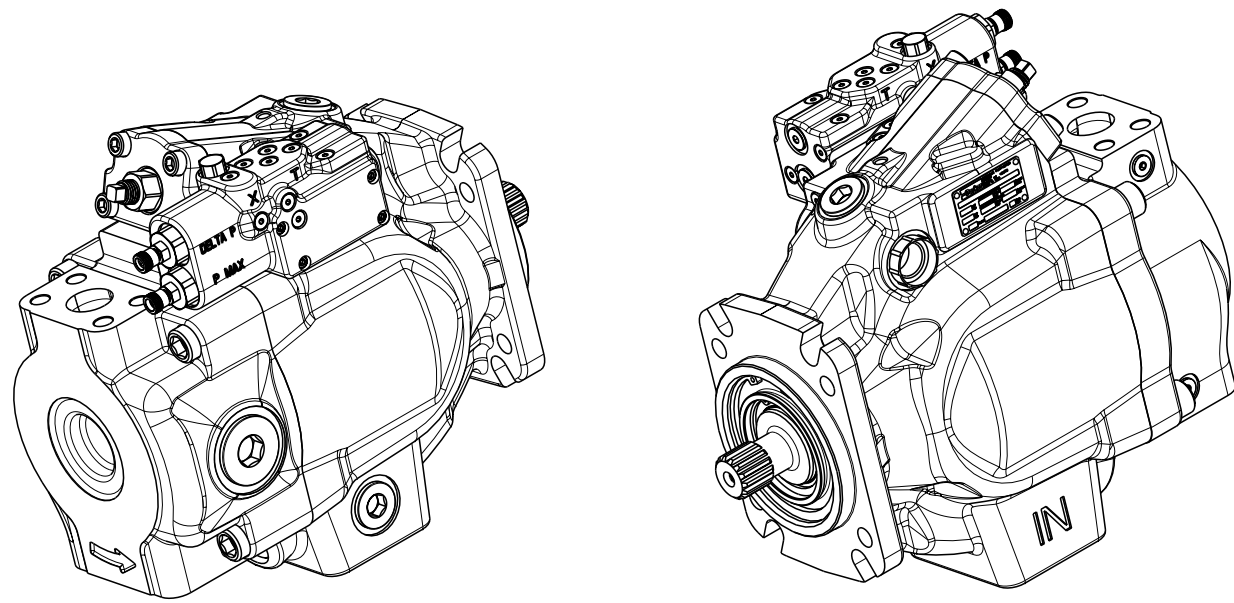
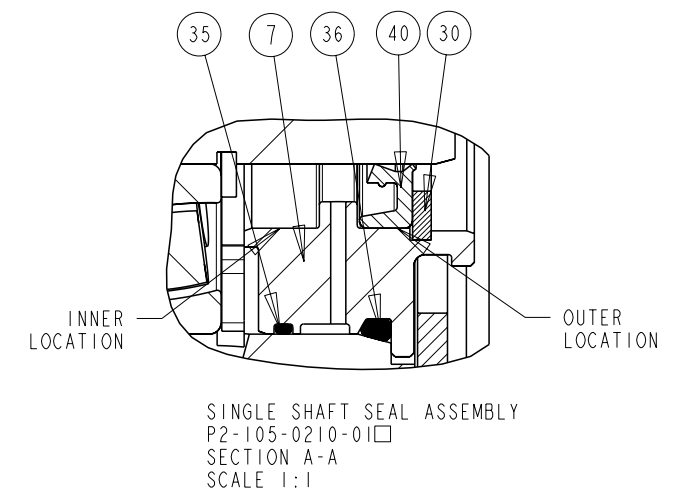
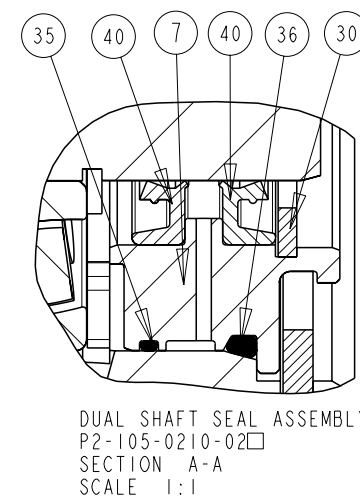
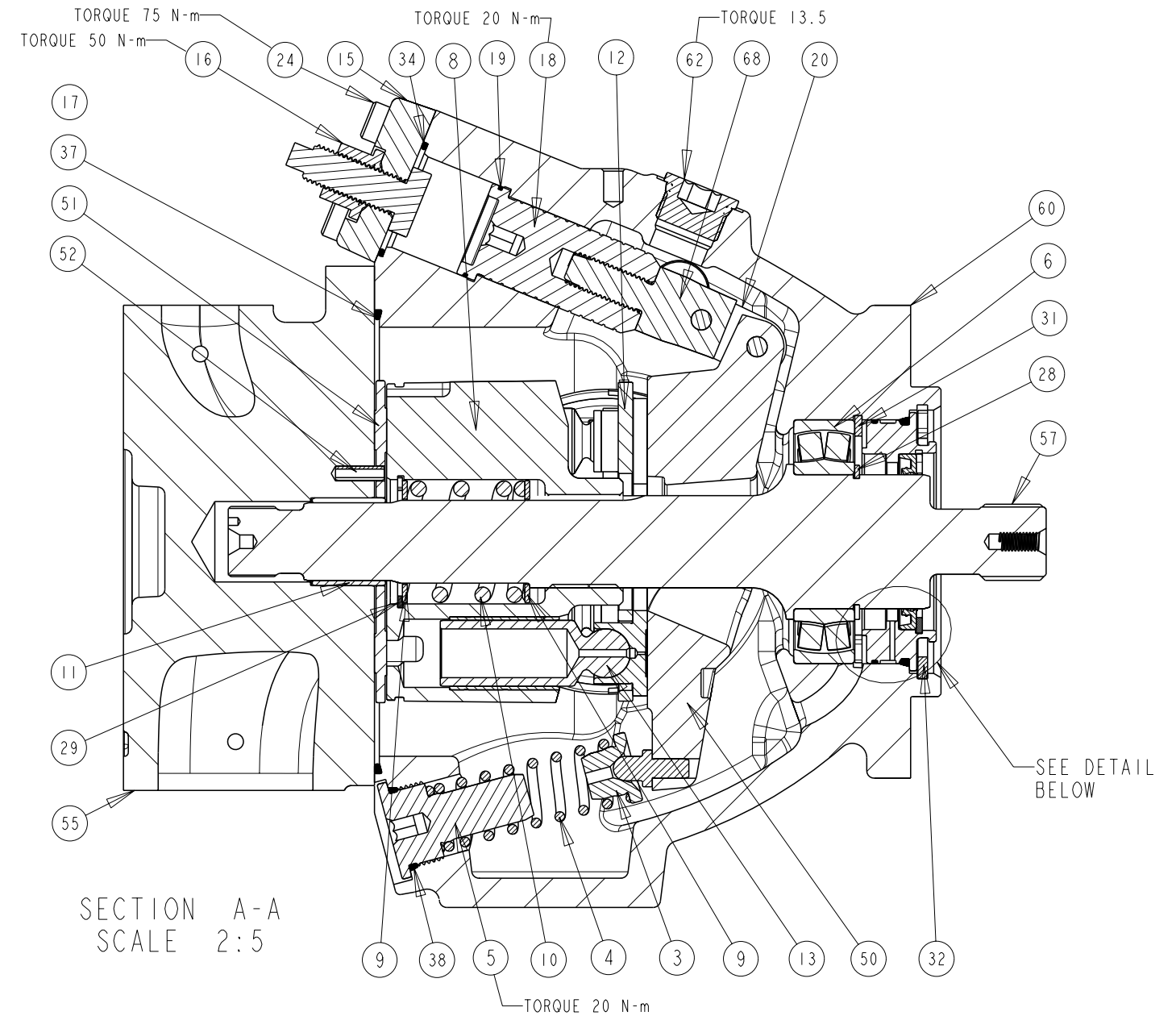


TITLE	SERVICE PARTS P2105 DESIGN SERIES II	DRAWING NUMBER	P2-105-0403	REVISION	A	STATUS	PR	SHEET 1 OF 7
-------	---	----------------	-------------	----------	---	--------	----	--------------

DRAWN BY	E. BOONE	DATE	15APR02	CHANGED BY	B. LARKIN	DATE	23MAY02	ECN NUMBER	133522
----------	----------	------	---------	------------	-----------	------	---------	------------	--------

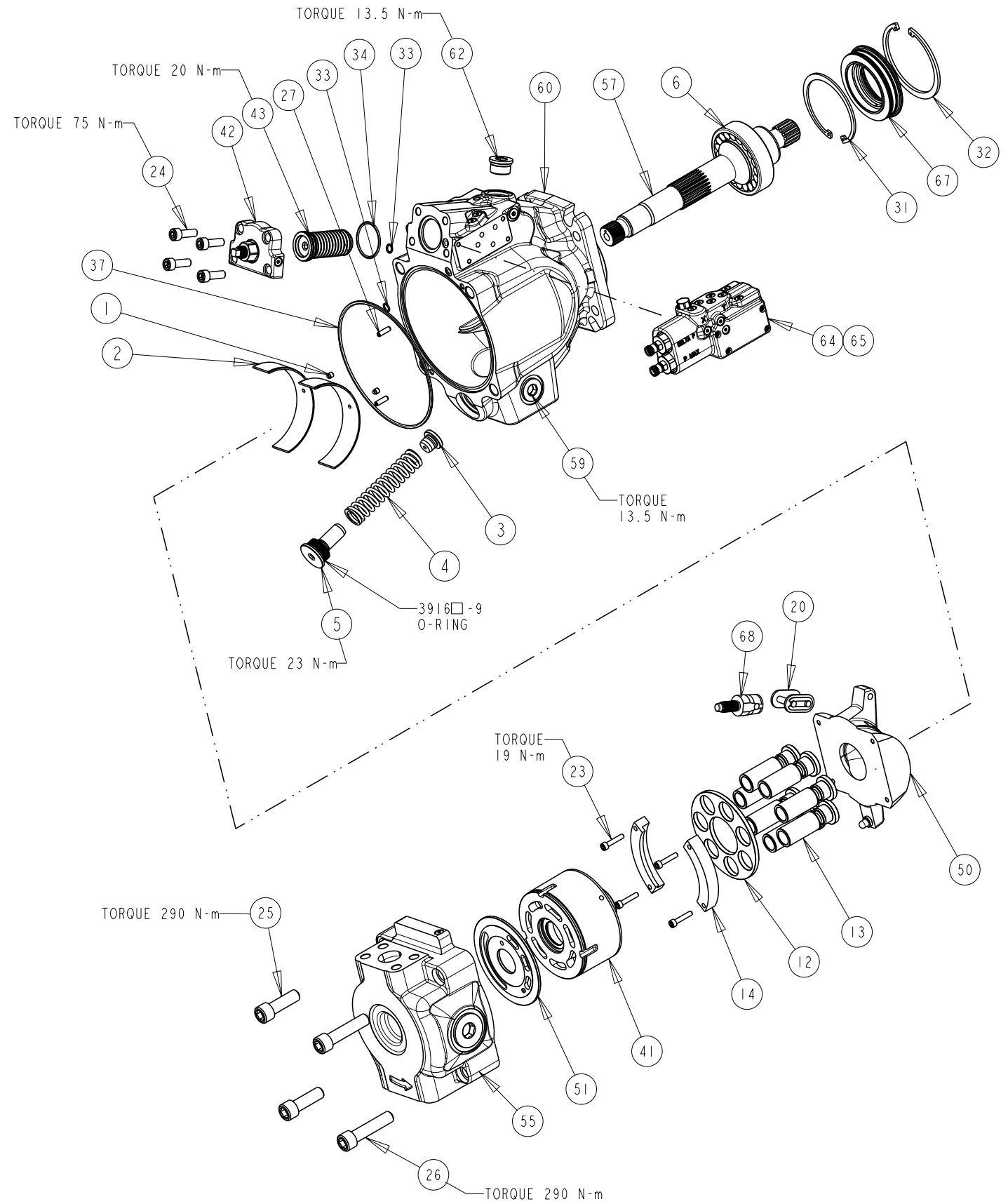
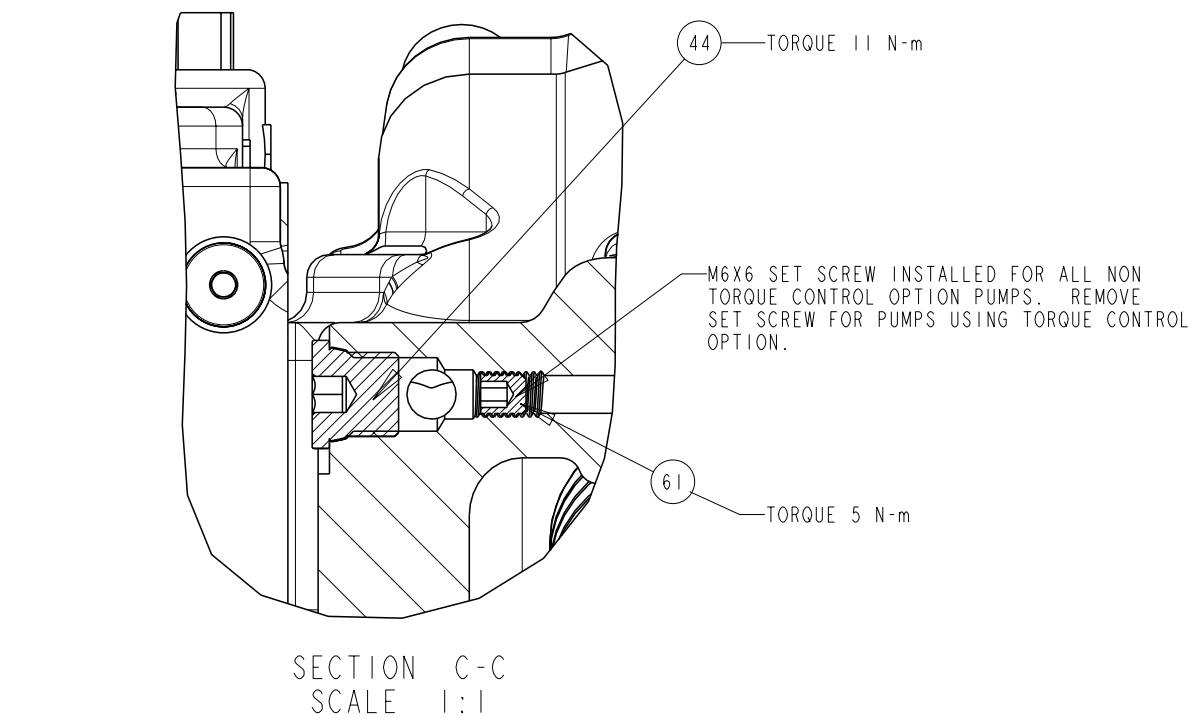
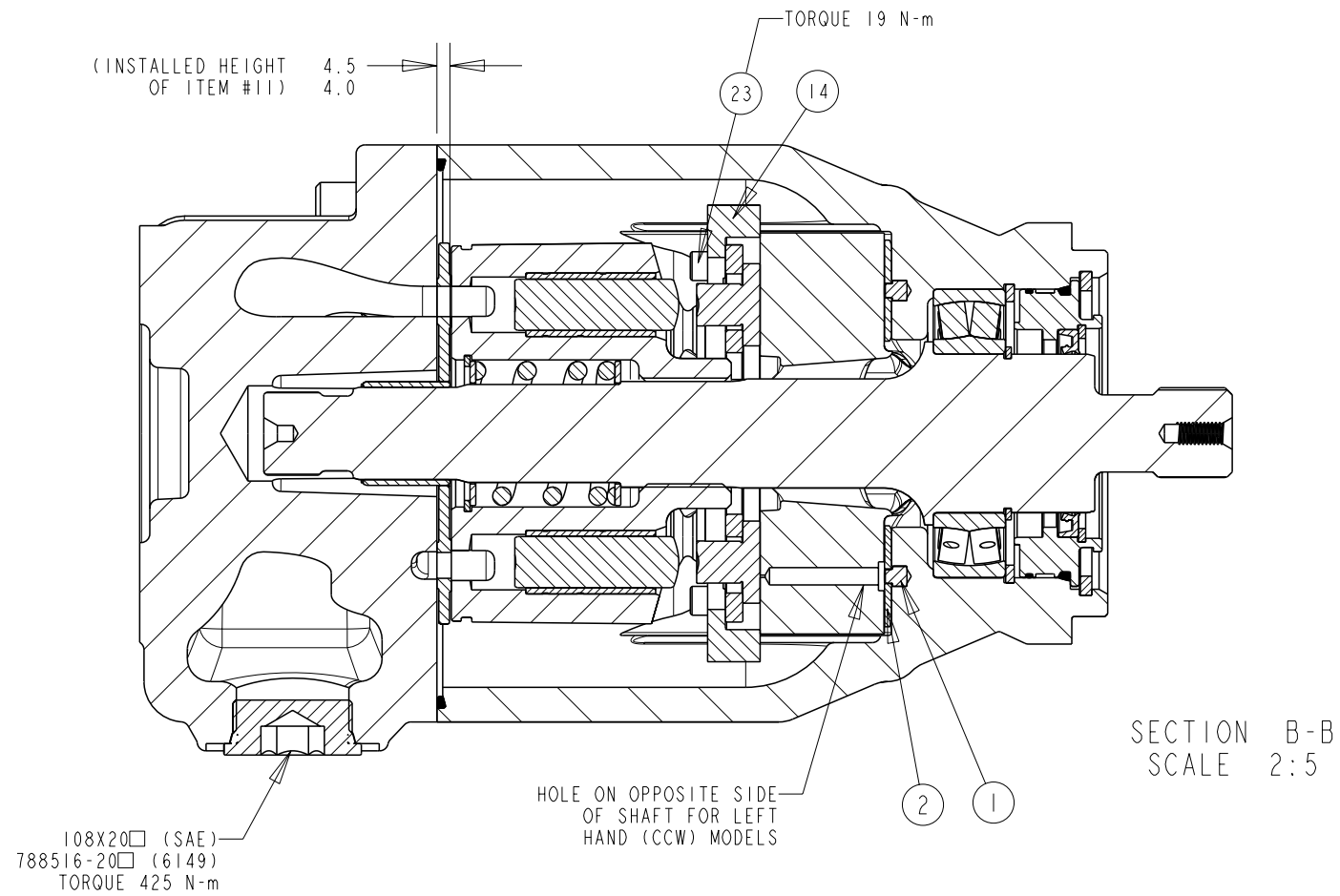


NOTES:
1 PUMP SHOWN IS A RIGHT HAND (CW) ROTATION PUMP. LEFT HAND (CCW) ROTATION PUMPS HAVE OUTLET GAUGE PORT REVERSED.



TITLE	DRAWING NUMBER	REVISION	STATUS	SHEET 2 OF 7
SERVICE PARTS P2105 DESIGN SERIES II	P2-105-0403	A	PR	

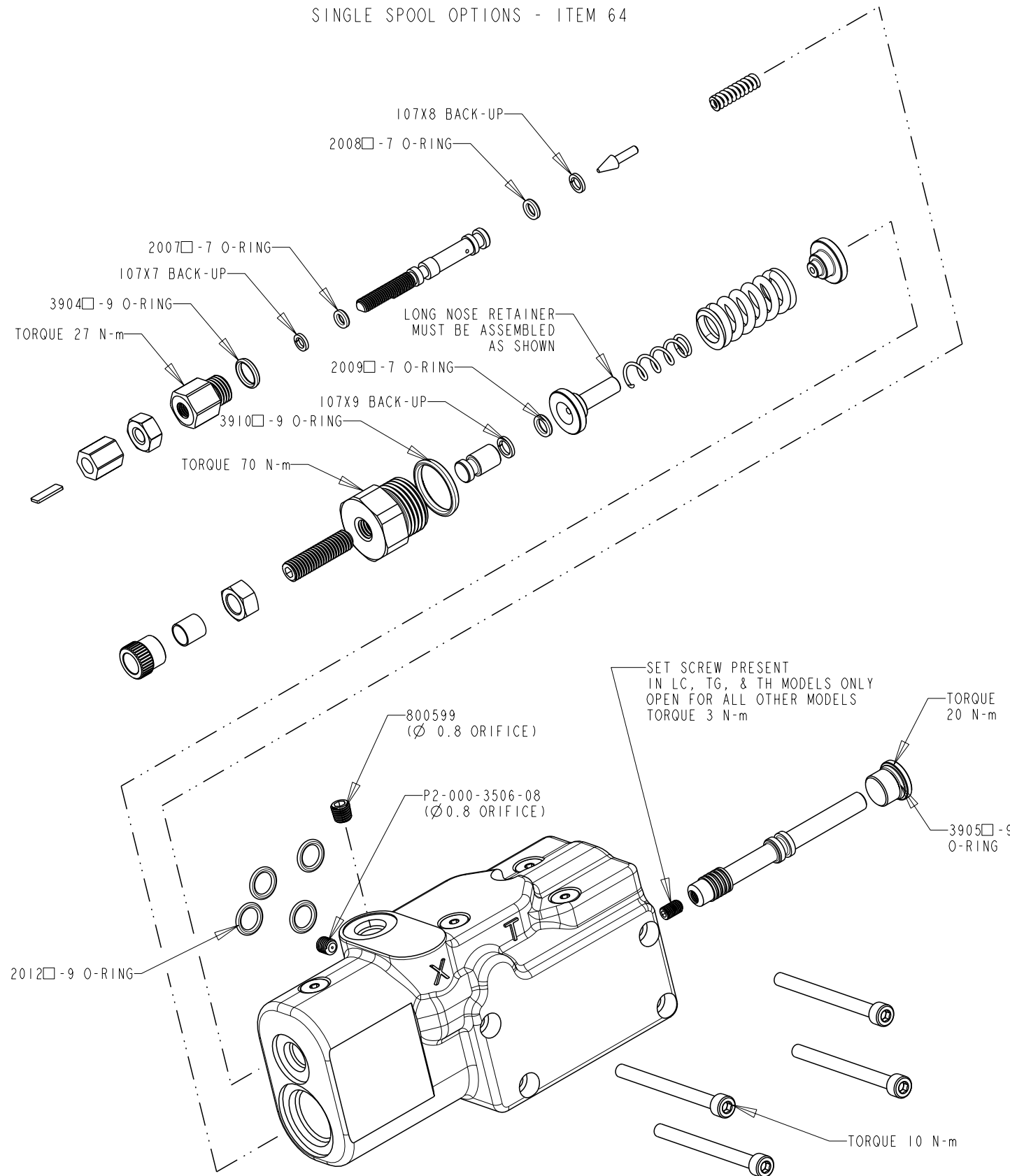
DRAWN BY	DATE	CHANGED BY	DATE	ECN NUMBER
E. BOONE	15APR02	B. LARKIN	23MAY02	133522



TITLE	DRAWING NUMBER	REVISION	STATUS	SHEET
SERVICE PARTS P2105 DESIGN SERIES II	P2-105-0403	A	PR	3 OF 7

COMPENSATOR KITS

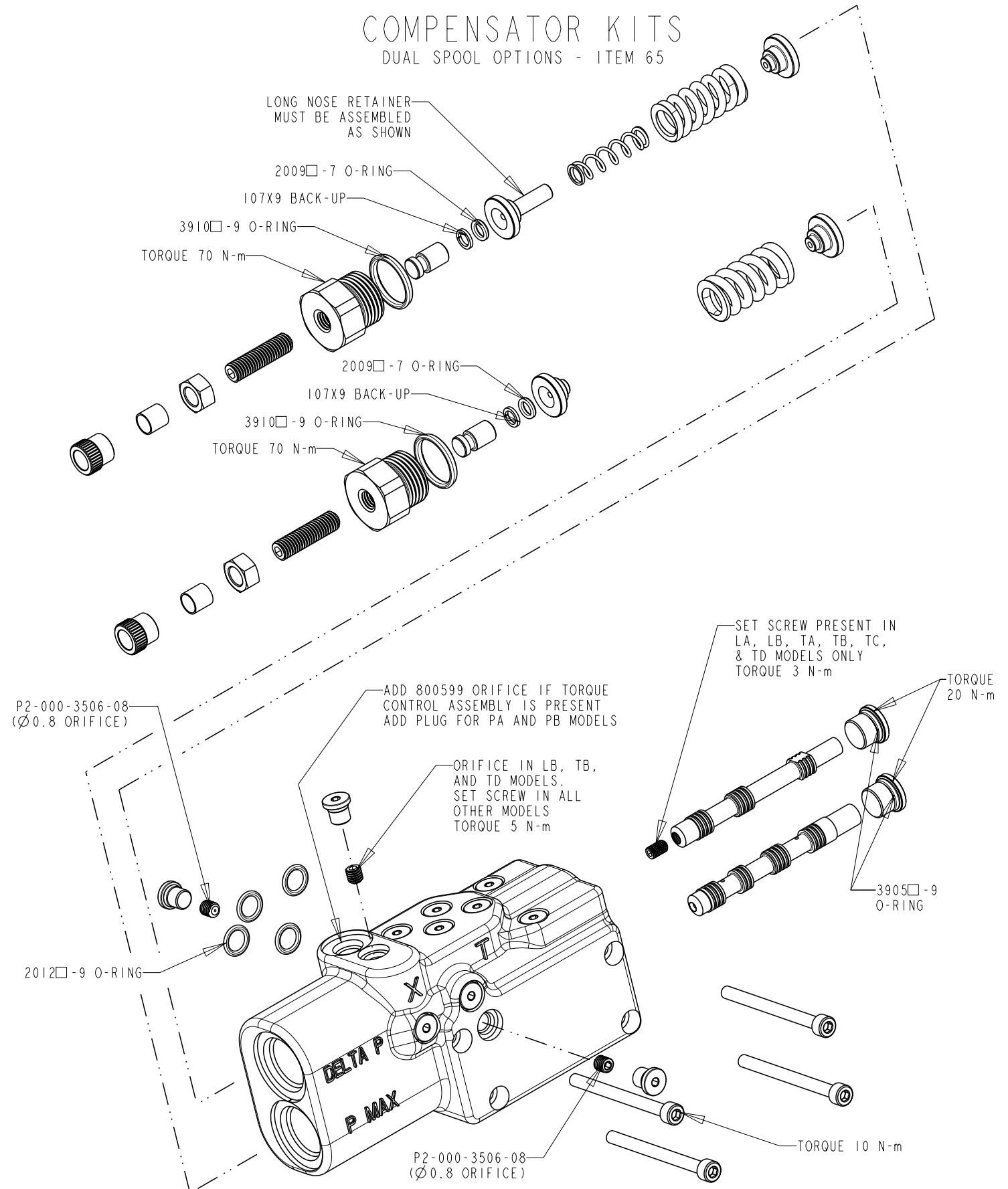
SINGLE SPOOL OPTIONS - ITEM 64



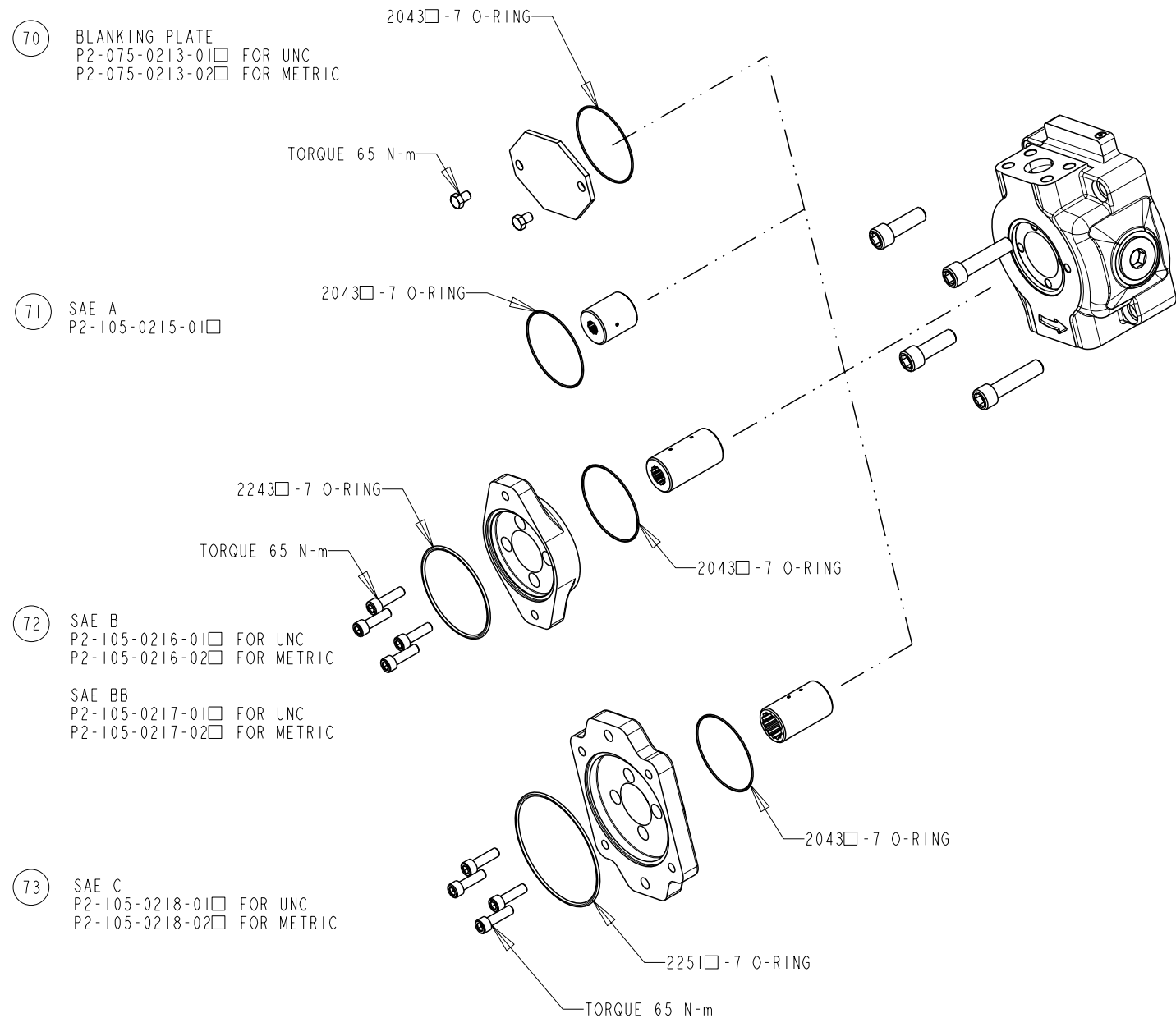
DRAWN BY	DATE	CHANGED BY	DATE	ECN NUMBER
E. BOONE	15APR02	B. LARKIN	23MAY02	133522

COMPENSATOR KITS

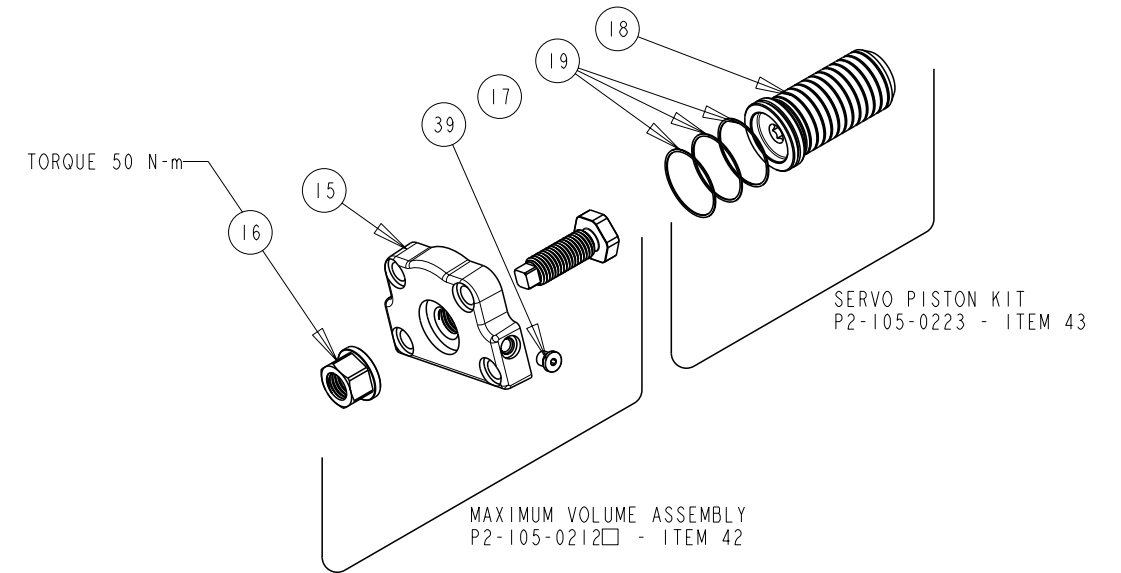
DUAL SPOOL OPTIONS - ITEM 65



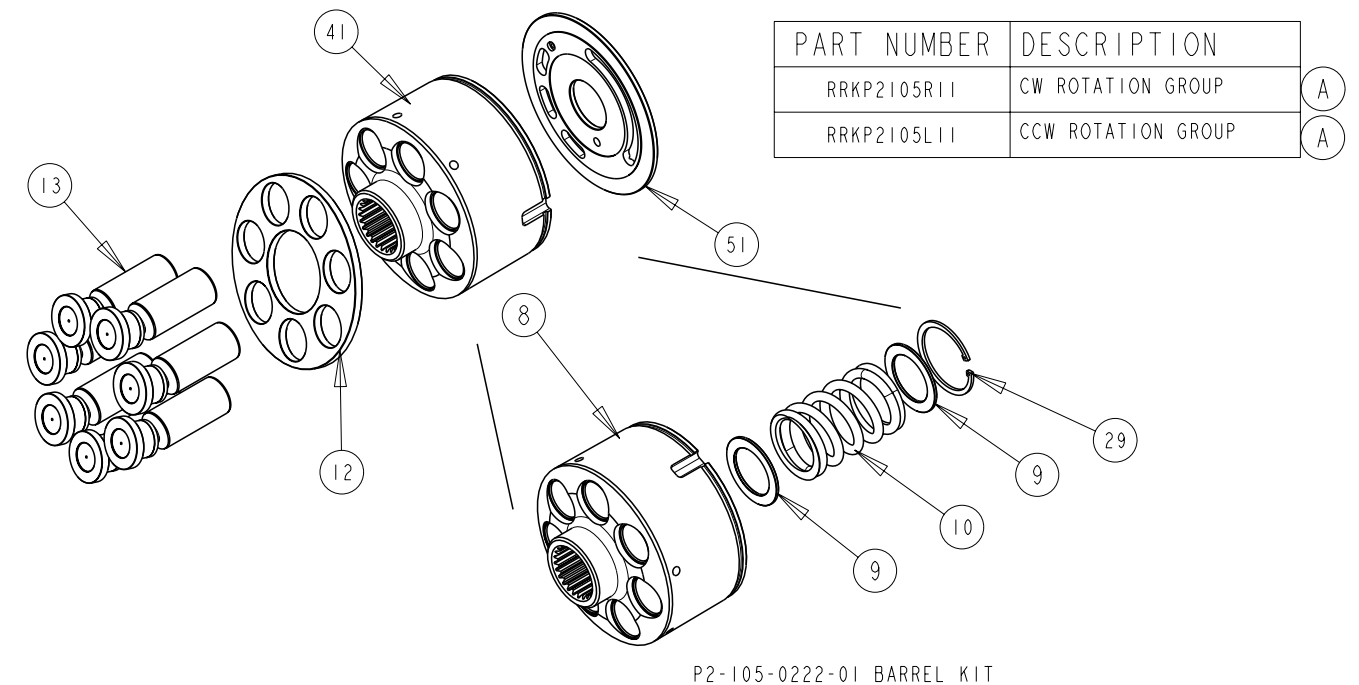
THRU DRIVE KITS



MAX VOLUME ASSEMBLY AND SERVO PISTON KIT

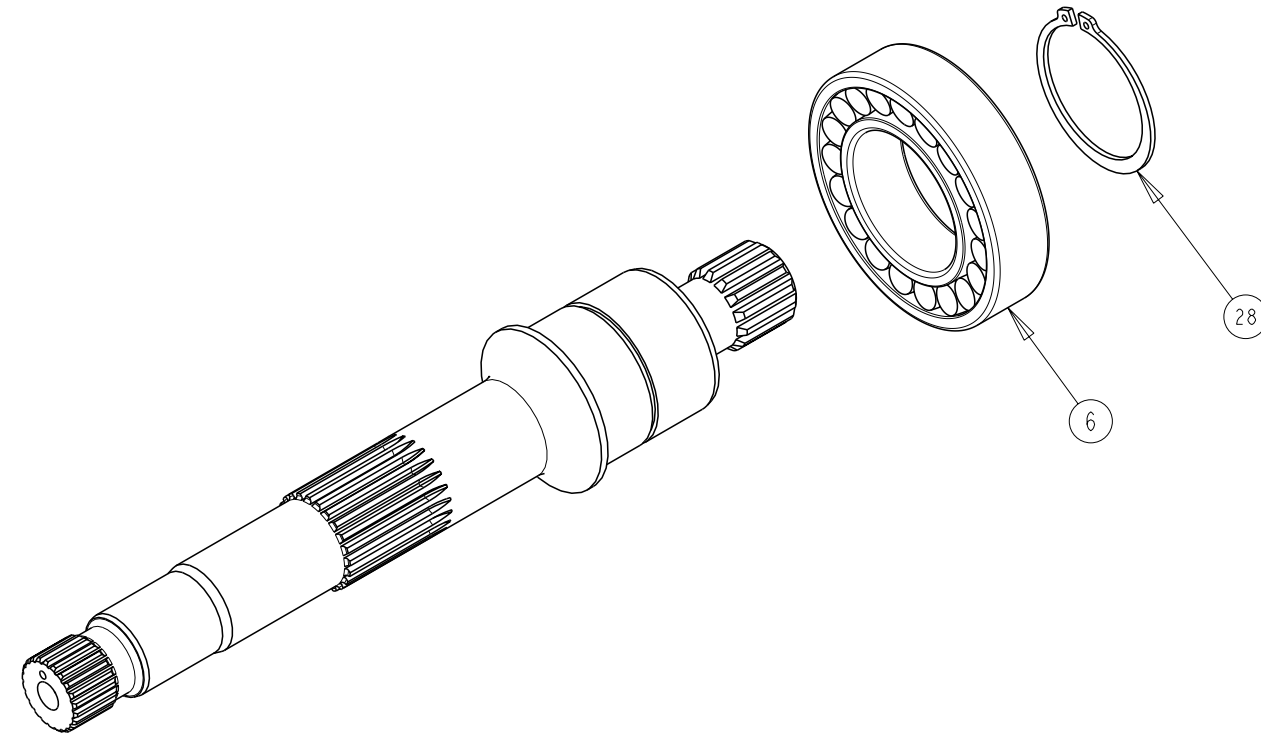


BARREL KIT AND ROTATION GROUP KIT



TITLE	DRAWING NUMBER	REVISION	STATUS	
SERVICE PARTS P2105 DESIGN SERIES II	P2-105-0403	A	PR	SHEET 5 OF 7

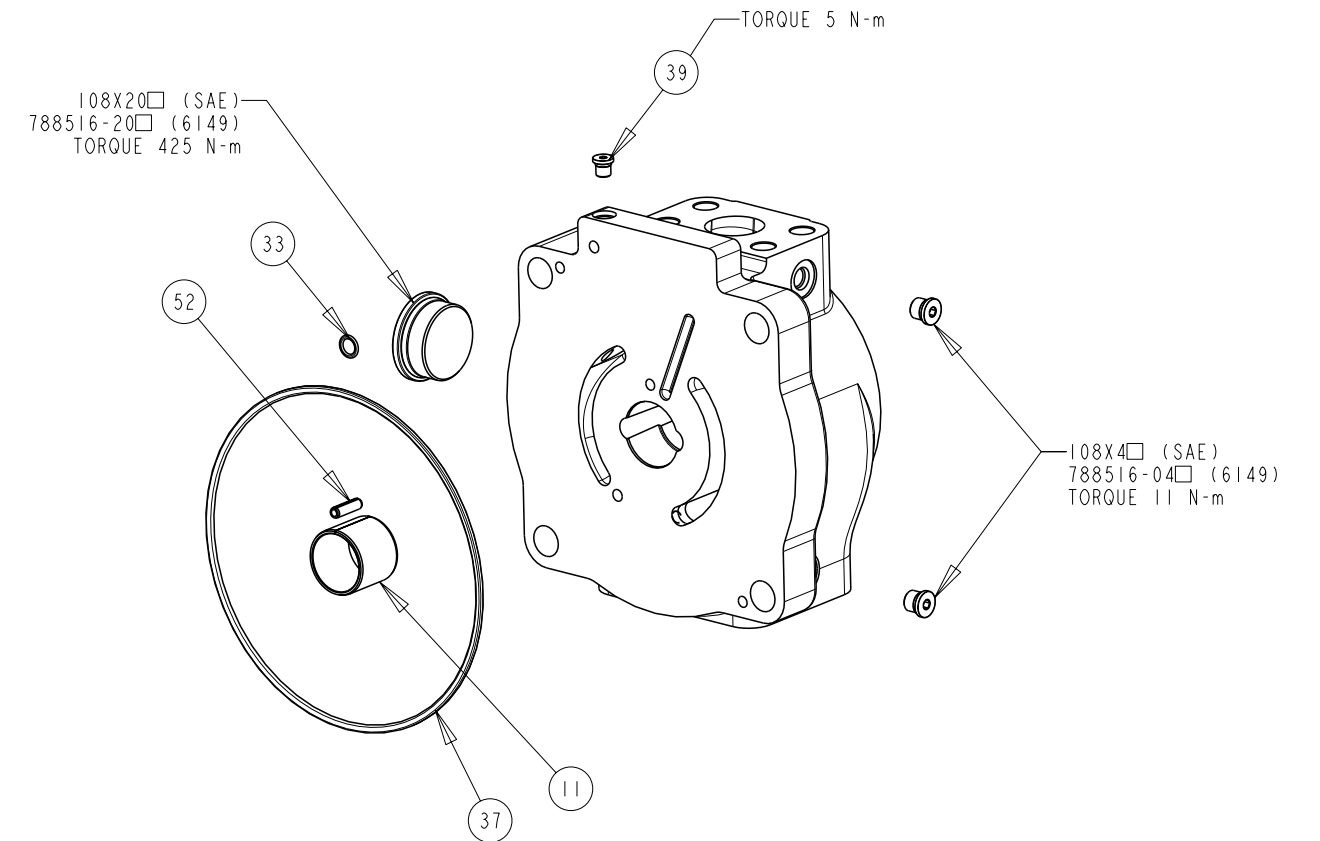
SHAFT ASSEMBLY KITS ITEM 57



SHAFT ONLY	SHAFT ASSEMBLY	DESCRIPTION
P2-105-3525	P2-105-0225-36	C SPLINE THRU
P2-105-3519	P2-105-0225-40	D SPLINE THRU
P2-105-3533	P2-105-0225-46	C KEY THRU
P2-105-3535	P2-105-0225-48	CC KEY THRU
P2-105-3520	P2-105-0225-56	C SPLINE THRU NO UNDERCUT
P2-105-3546	P2-105-0225-60	D SPLINE THRU NO UNDERCUT

DRAWN BY	DATE	CHANGED BY	DATE	ECN NUMBER
E. BOONE	15APR02	B. LARKIN	23MAY02	133522

COVER ASSEMBLY KITS ITEM 55



COVER ONLY	COVER ASSEMBLY	DESCRIPTION
P2-105-1013-01	P2-105-0226-01□	SIDE PORTS, CCW, UNC
P2-105-1013-02	P2-105-0226-02□	SIDE PORTS, CCW, UNC, THRU
P2-105-1013-03	P2-105-0226-03□	SIDE PORTS, CCW, METRIC
P2-105-1013-04	P2-105-0226-04□	SIDE PORTS, CCW, METRIC, THRU
P2-105-1014-01	P2-105-0226-05□	SIDE PORTS, CW, UNC
P2-105-1014-02	P2-105-0226-06□	SIDE PORTS, CW, UNC, THRU
P2-105-1014-03	P2-105-0226-07□	SIDE PORTS, CW, METRIC
P2-105-1014-04	P2-105-0226-08□	SIDE PORTS, CW, METRIC THRU

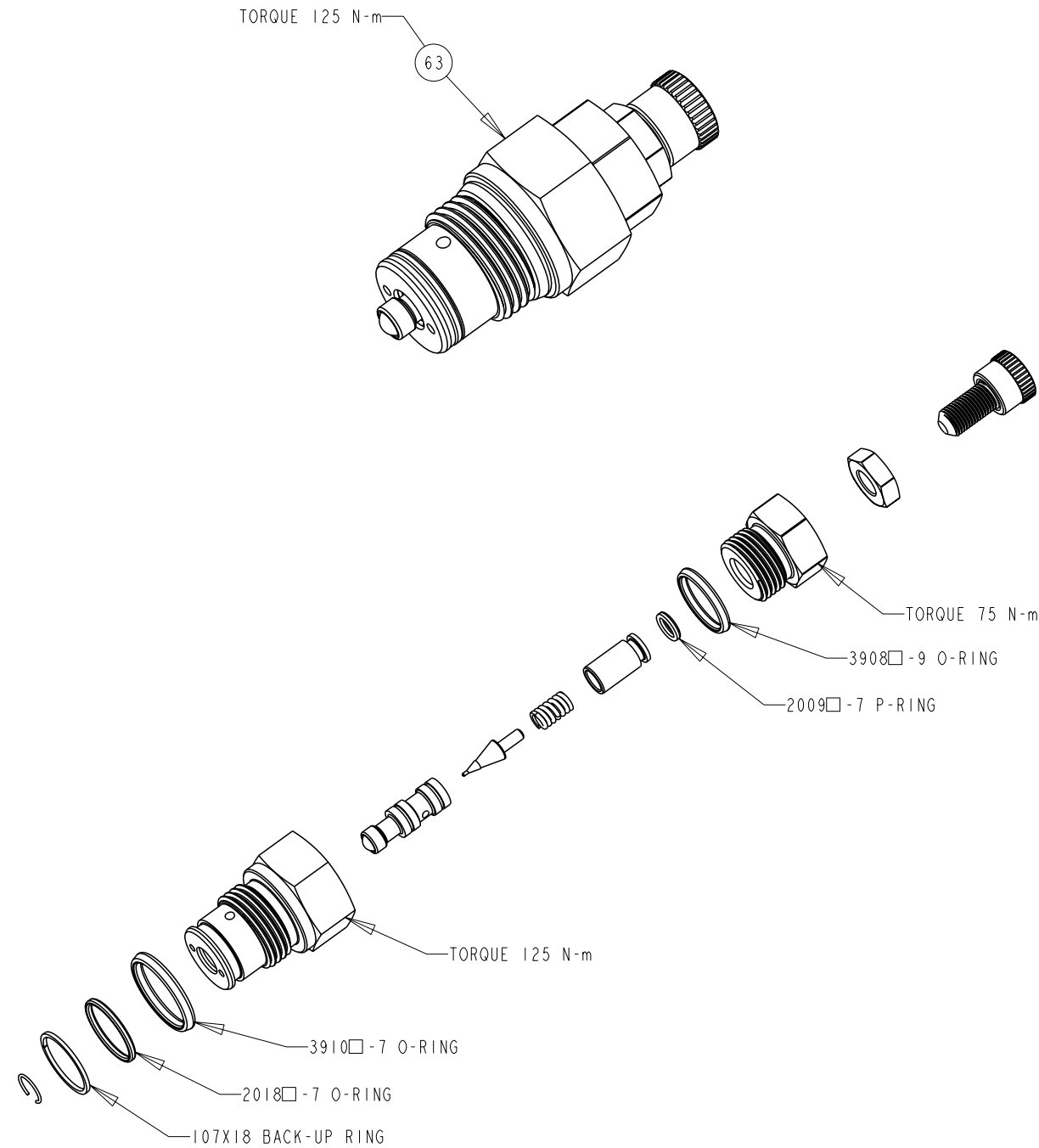
TITLE	DRAWING NUMBER	REVISION	STATUS	SHEET
SERVICE PARTS P2105 DESIGN SERIES II	P2-105-0403	A	PR	6 OF 7

DRAWN BY	DATE	CHANGED BY	DATE	ECN NUMBER
E. BOONE	15APR02	B. LARKIN	23MAY02	133522

TORQUE CONTROL CARTRIDGE

P2-000-0803 □ - ITEM 63

(A)



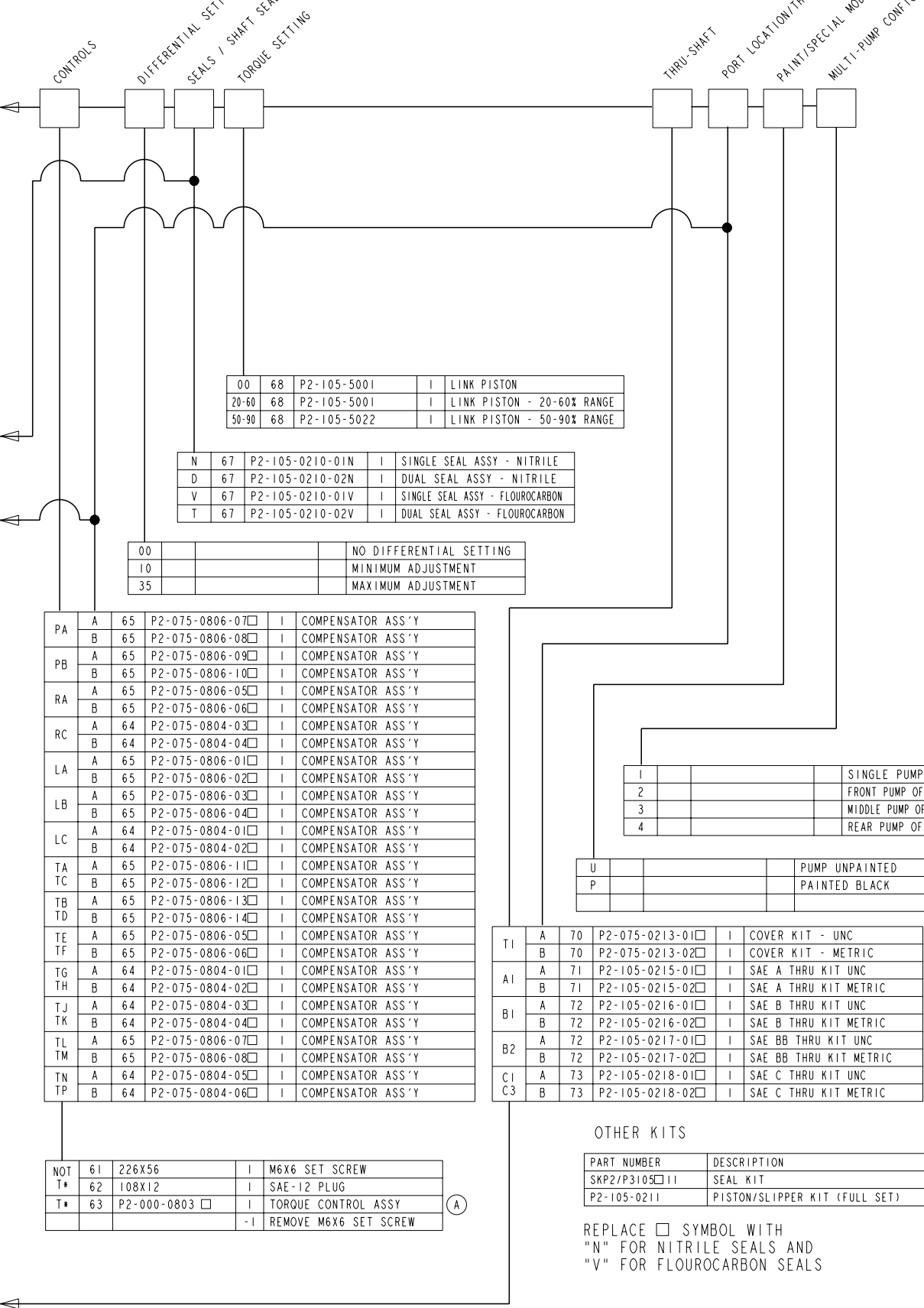
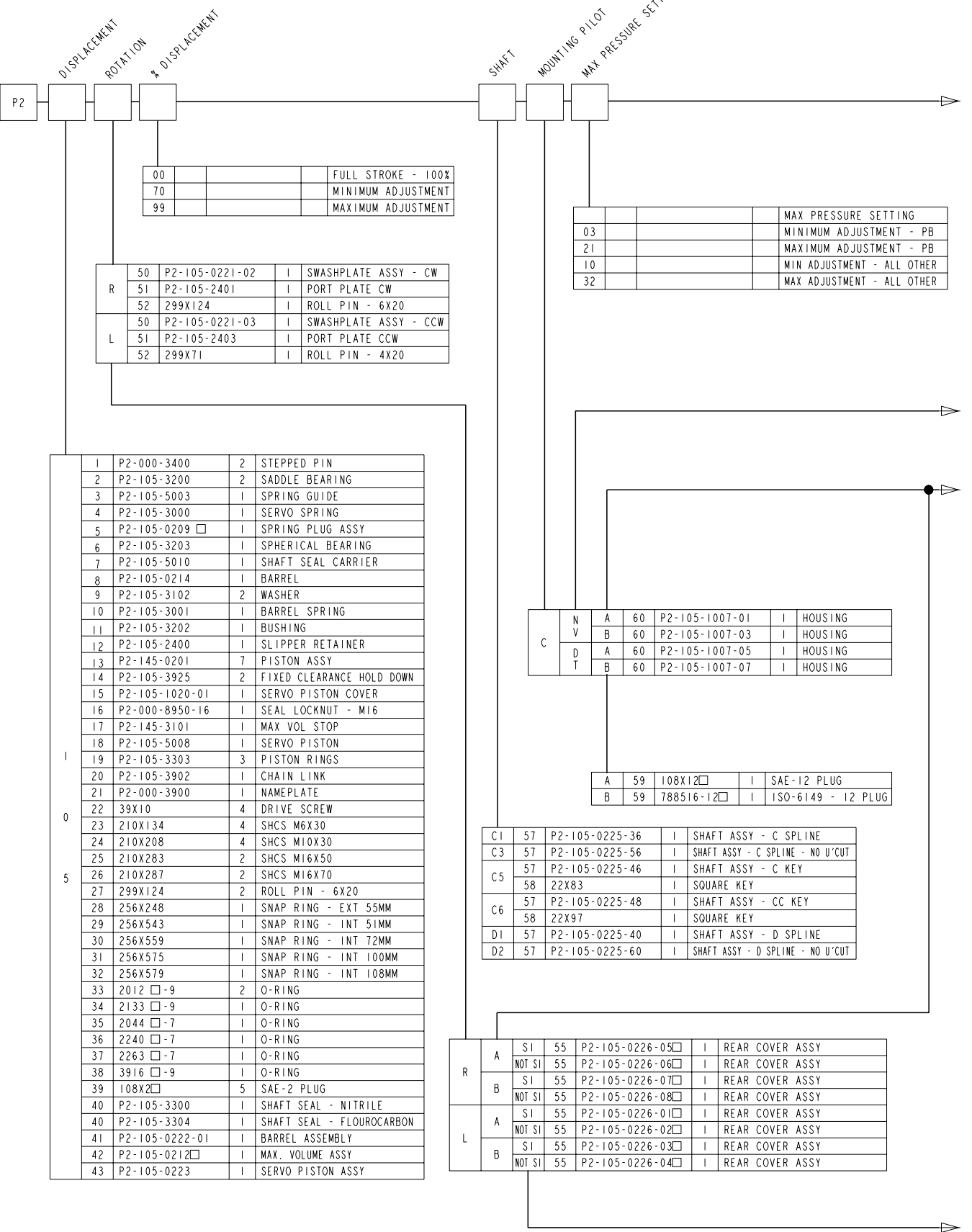
ASSEMBLY, DIS-ASSEMBLY AND REPAIR NOTES

DISASSEMBLY STEPS FOR ENTIRE PUMP

1. REMOVE COVER SCREWS AND COVER
2. DE-STROKE PUMP TO MINIMUM ANGLE WITH MAX VOLUME SCREW
3. REMOVE FIXED CLEARANCE HOLD DOWN SCREWS AND HOLD DOWN PARTS
4. REMOVE ROTATING GROUP (BARREL, SLIPPER RETAINER AND PISTONS)
5. REMOVE SHAFT SEAL CARRIER
6. REMOVE SHAFT
7. REMOVE BIAS SPRING PLUG, SPRING AND RETAINER
8. REMOVE MAX. VOLUME ASSY
9. REMOVE SERVO PISTON ASSY.
10. REMOVE SWASHPLATE ASSEMBLY

SHAFT SEAL REPLACEMENT

1. REMOVE SEAL CARRIER ONLY
2. REMOVE OLD SEAL
3. INSPECT SHAFT
4. IF SHAFT IS WORN INSTALL NEW SEAL IN INNER LOCATION FOR SINGLE SEAL APPLICATIONS (SEE SHEET 1). REPLACE SHAFT FOR DUAL SEAL APPLICATIONS



REPLACE □ SYMBOL WITH
"N" FOR NITRILE SEALS AND
"V" FOR FLOUROCARBON SEALS