

# Series ICP Pilot-Operated Check Valves

These valves allow free flow in one direction, and prevent any flow in the opposite direction until the pilot is actuated, allowing the valve to open and permit flow in the reverse direction.

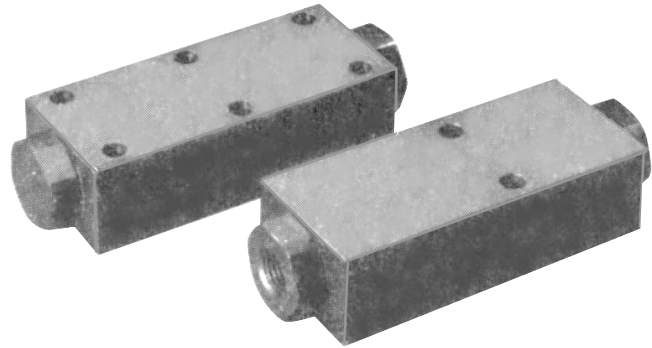
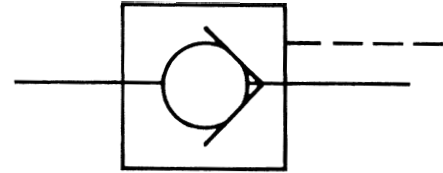
Valves are made of steel, and designed for in-line mounting in any position. Solid metal poppets.

Operating pressure, max.:  
3000 PSI (210 Bar)

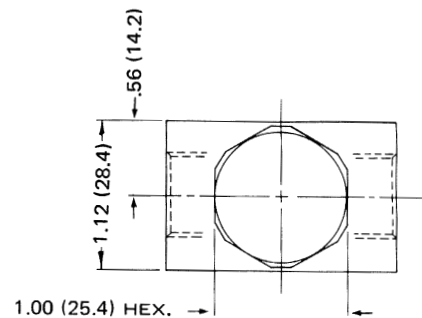
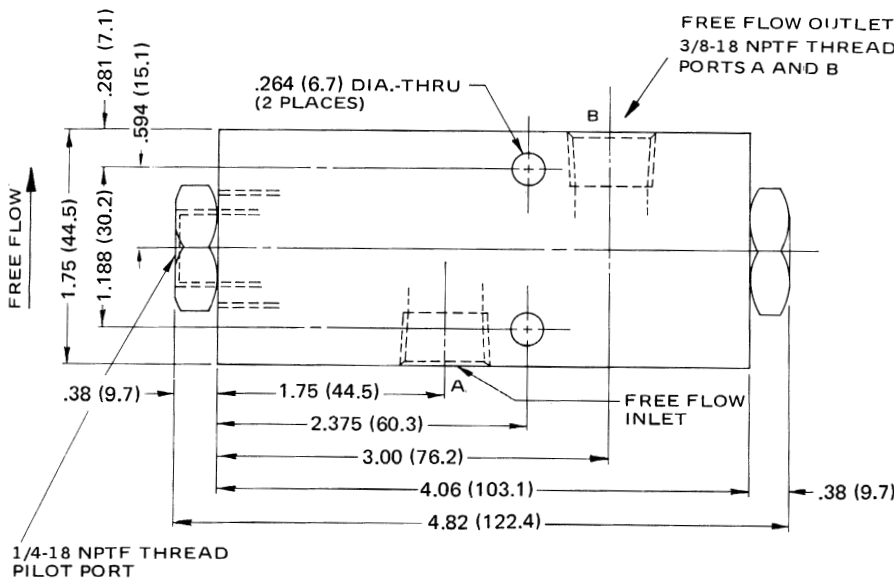
Flow, nominal: 8 GPM (30 L/M)

Flow, max.: 12 GPM (45 L/M)

Poppet styles: Single stage, 3:1 area ratio  
Two stage, decompression:  
19:1 area ratio



## Dimensions



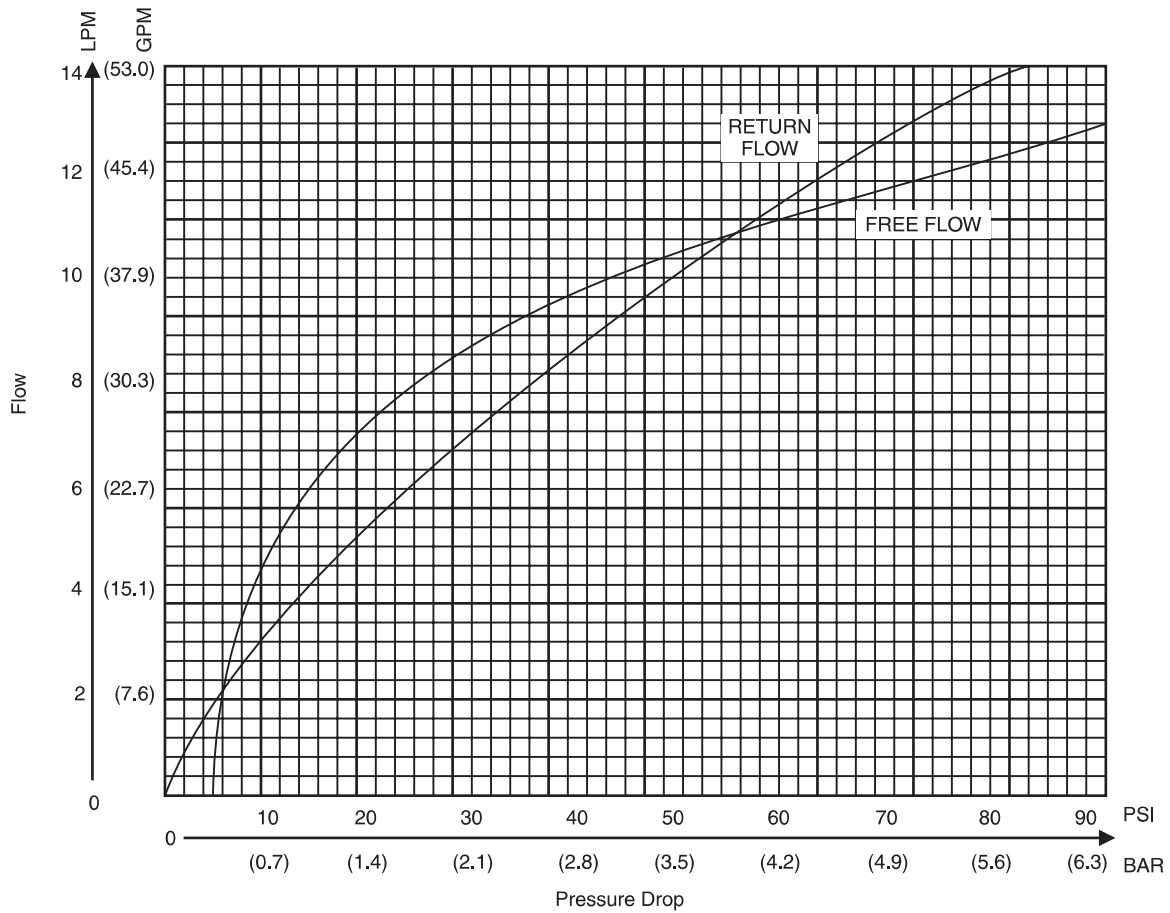
Weight  
2 Lb. (1 Kg)

## Quick Reference Data Chart

Valve Model	Port Size	Flow (Max) GPM (L/M)	Δ P @ Max Free Flow PSI (Bar)	Δ P @ Max Reverse Flow PSI (Bar)	Area Ratio	
					Pilot Piston Area To Decompression Poppet Area	Pilot Piston Area To Check Valve Area
ICP 600S3*	3/8 NPTF	12 (45.4)	78 (5.5)	60 (4.2)	—	3:1
ICP 600S19*	3/8 NPTF	12 (45.4)	78 (5.5)	60 (4.2)	19:1	3:1

repcat-l.p65, dd, fn

### Performance Data



Flow vs. Pressure Drop

### Ordering Information

Example: "ICP6003M—" means Model ICP, 3/8" NPTF 3:1 pilot piston area ratio, standard nitrile seal.

