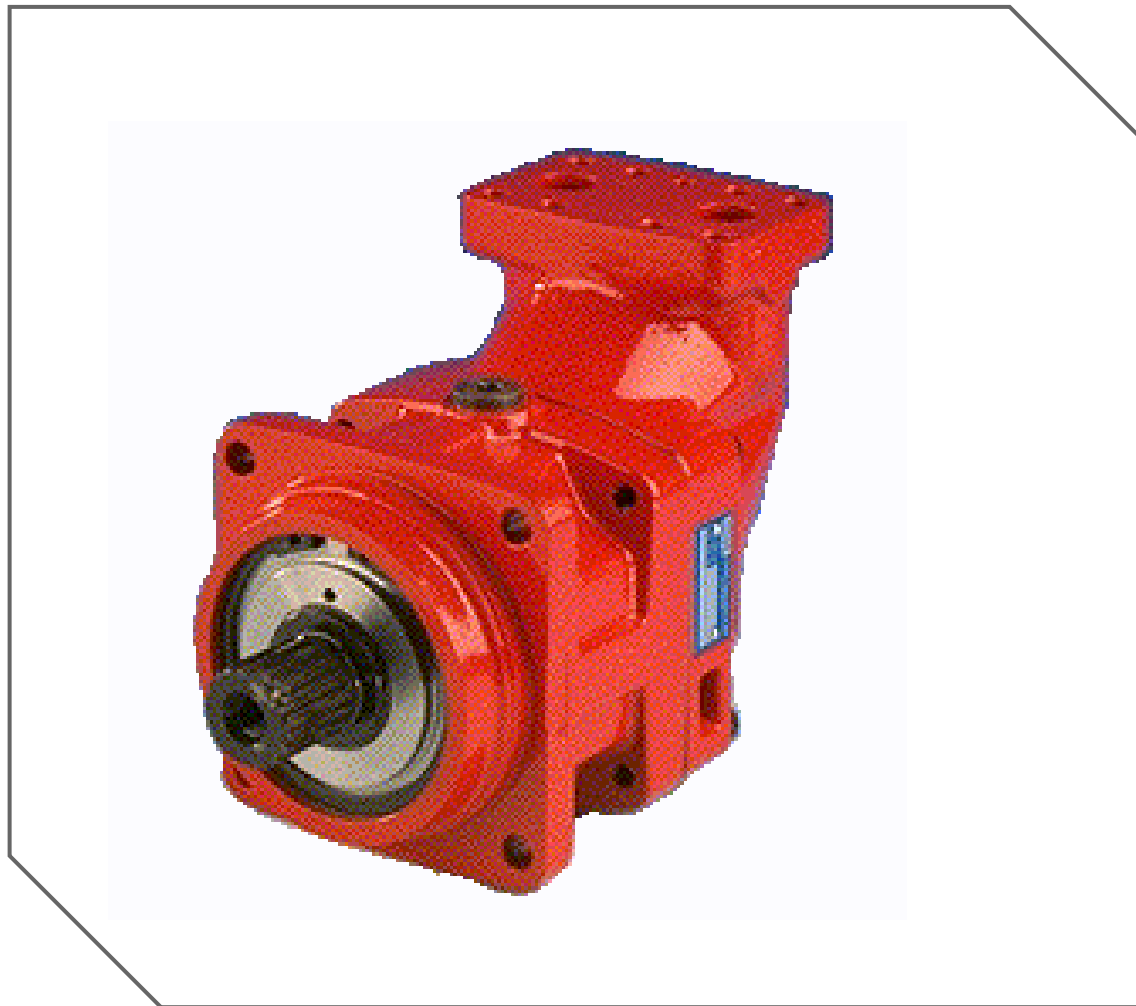
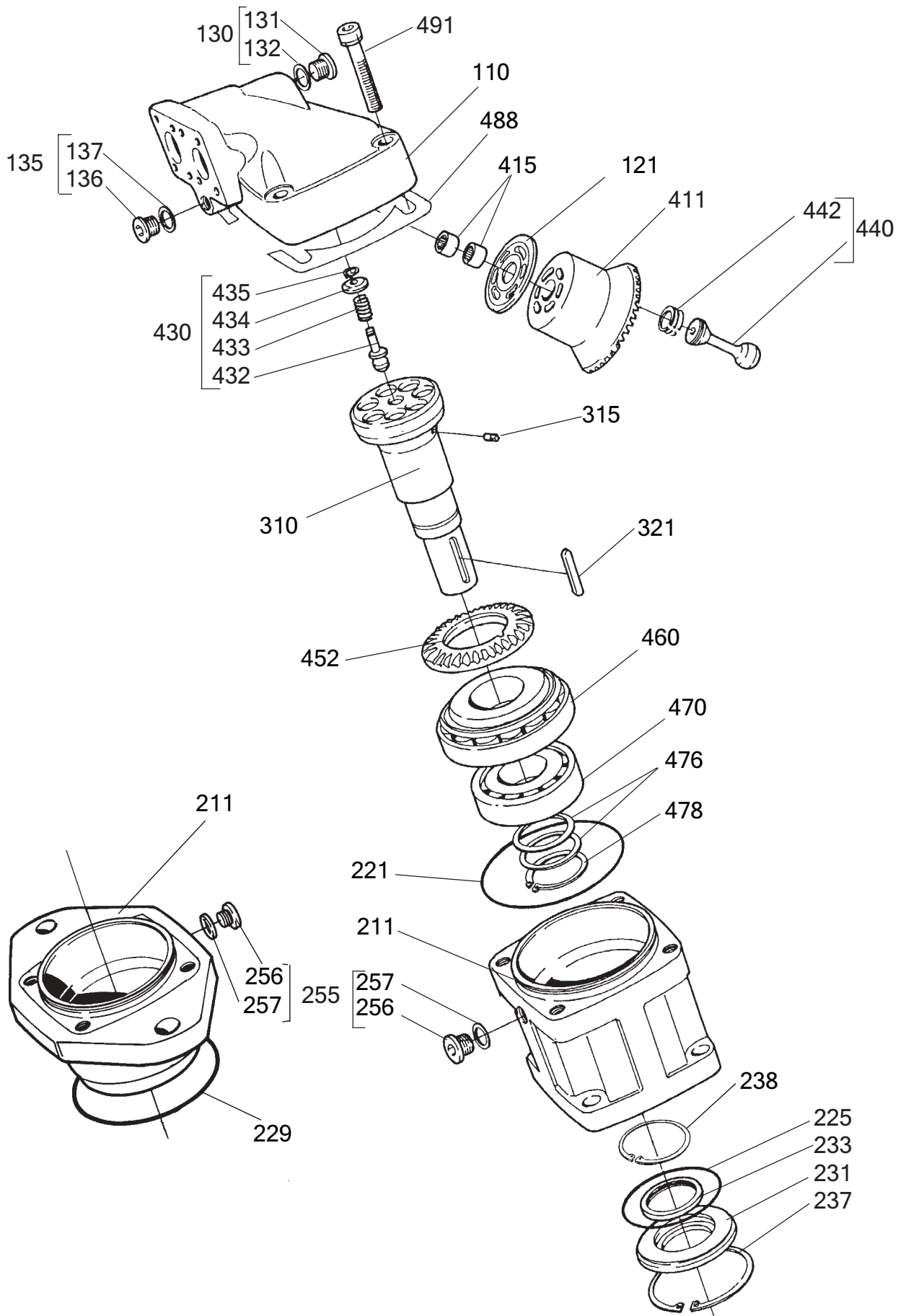


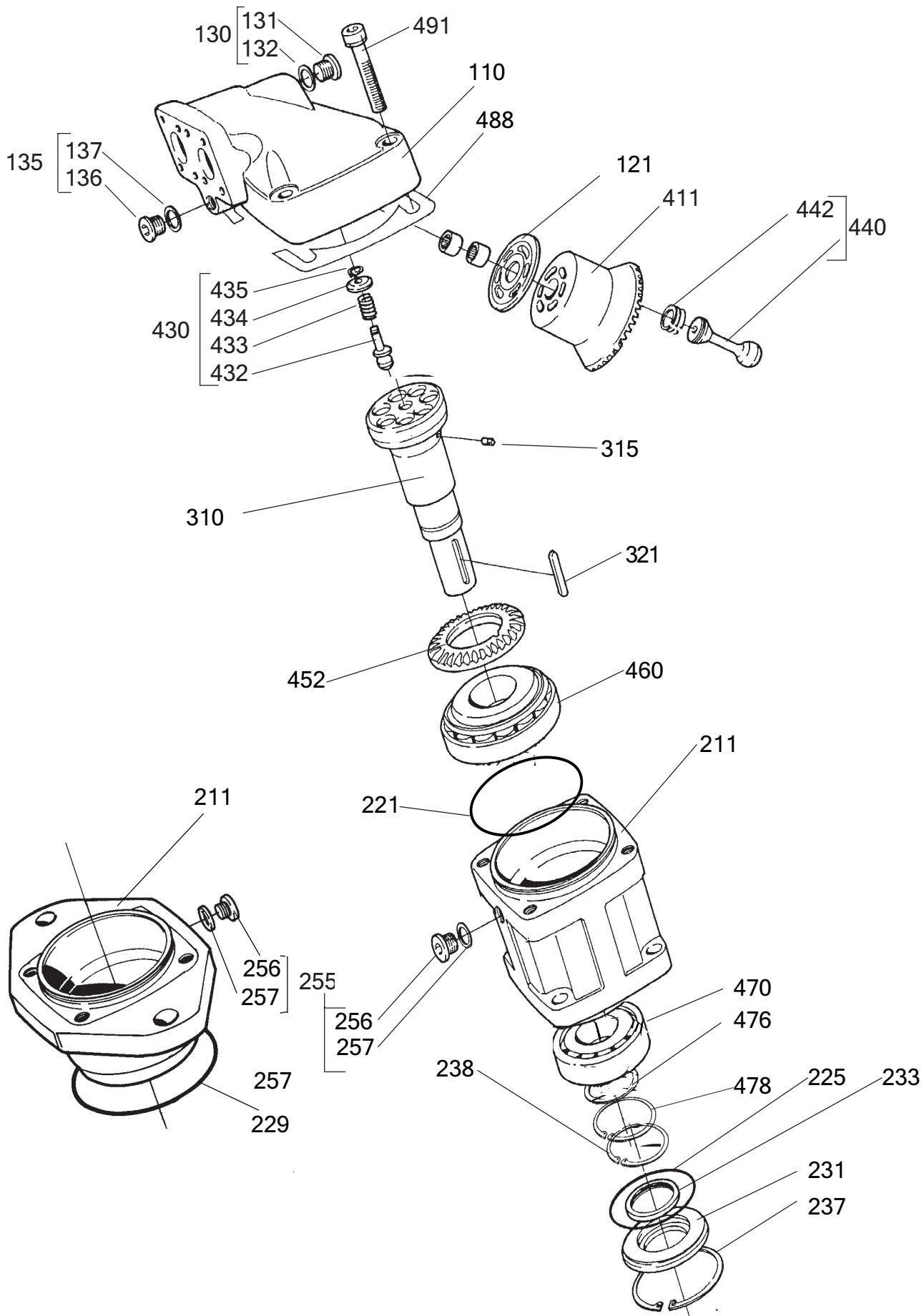


# Spare Parts Lists F12

---







Item	Part No	Title	Benämning	Qty	Remarks
110	3791905	Barrel Housing Assy	Trumhus kpl	1	Type F - Not available
110	3793677	Barrel Housing Assy	Trumhus kpl	1	Type S - Not available
121	3792037	Valve Plate	Ventilskiva	1	Type L
121	3791911	Valve Plate	Ventilskiva	1	Type M
121	3791912	Valve Plate	Ventilskiva	1	Type R
130	3707298	Hex Socket Plug Assy	Insexpropp kpl	1	For S- Housing
131	3708587	Bleeder Plug	Luftningspropp	1	For F-Housing
132	948884	Seal Washer	Tätbricka	1	For F-Housing
211	3792314	Bearing Housing	Lagerhus	1	Type C
211	3792690	Bearing Housing	Lagerhus	1	Type I
211	3791914	Bearing Housing	Lagerhus	1	Type S
221	3792811	O-Ring	O-Ring	1	Nitril 103*2,5
221	976638	O-Ring	O-Ring	1	Viton 103*2,5
225	925094	O-Ring	O-Ring	1	Nitril 74,5*3
225	974584	O-Ring	O-Ring	1	Viton 74,5*3
229	3792912	O-Ring	O-Ring	1	Nitril 127*4
229	976640	O-Ring	O-Ring	1	Viton 127*4
231	3791916	Seal Carrier	Tättringshållare	1	
231	3797194	Seal Carrier	Tättringshållare	1	For N
233	3791734	Shaft Seal	Tätningssring	1	Type H, Nitril HP
233	3793418	Shaft Seal	Tätningssring	1	Type V, Viton HP
233	3797195	Shaft Seal	Tätningssring	1	Type N, Nitril LP
233	3706183	Shaft Seal	Tätningssring	1	Type E, Nitril LP
237	914540	Retaining Ring	Spårring	1	
238	914529	Retaining Ring	Spårring	1	Only for 3797194
256	3793171	Bleeder Plug	Luftningspropp	1	For C-Housing, M14
257	945653	Seal Washer	Tätbricka	1	For C-Housing
310	3795984	Shaft	Axel	1	Type C
310	3795985	Shaft	Axel	1	Type D
310	3795982	Shaft	Axel	1	Type K
310	3795983	Shaft	Axel	1	Type S
310	3795986	Shaft	Axel	1	Type T
315	3709162	Guide Pin	Styrtapp	1	
321	909306	Flat Key	Plattkil	1	For K
321	118225	Flat Key	Plattkil	1	For T
411	3791922	Cylinder Barrel	Cylindertrumma	1	
415	973439	Needle Bearing	Nållager	2	
430	3791923	Barrel Support	Trumstöd	1	
440	3791925	Piston Assy	Kolv kpl	7	
442	3791596	Piston Ring	Lamellring	21	
452	3791927	Ring Gear	Kuggkrans	1	
460	3797156	Tap Rol Bearing	Kon rullager	1	31308
470	184758	Cyl Bearing	Cyl lager	1	
476	973435	Spacer Washer	Distansbricka		0,5 mm
476	973436	Spacer Washer	Distansbricka		1,0 mm
476	977610	Spacer Washer	Distansbricka		0,6 mm
476	977611	Spacer Washer	Distansbricka		0,8 mm
478	914465	Retaining Ring	Spårring	1	
488	3793622	Shim	Justerbricka	2	0,2
488	3793623	Shim	Justerbricka	2	0,4
488	3793624	Shim	Justerbricka	2	0,6
488	3793625	Shim	Justerbricka	2	0,8
488	3793626	Shim	Justerbricka	2	1,0
491	974109	Hex Socket Screw	Insexskruv	4	M10*40

Item	Part No	Title	Benämning	Qty	Remarks
110	3798186	Barrel Housing Assy	Trumhus kpl	1	Type F
110	3798187	Barrel Housing Assy	Trumhus kpl	1	Type S
121	3792037	Valve Plate	Ventilskiva	1	Type L
121	3791911	Valve Plate	Ventilskiva	1	Type M
121	3791912	Valve Plate	Ventilskiva	1	Type R
130	3707298	Hex Socket Plug Assy	Insexpropp kpl	1	For S- Housing
131	3708587	Bleeder Plug	Luftningspropp	1	For F-Housing
132	948884	Seal Washer	Tätbricka	1	For F-Housing
211	3792314	Bearing Housing	Lagerhus	1	Type C
211	3792690	Bearing Housing	Lagerhus	1	Type I
211	3791914	Bearing Housing	Lagerhus	1	Type S
221	3792811	O-Ring	O-Ring	1	Nitril 103*2,5
221	976638	O-Ring	O-Ring	1	Viton 103*2,5
225	925094	O-Ring	O-Ring	1	Nitril 74,5*3
225	974584	O-Ring	O-Ring	1	Viton 74,5*3
229	3792912	O-Ring	O-Ring	1	Nitril 127*4
229	976640	O-Ring	O-Ring	1	Viton 127*4
231	3791916	Seal Carrier	Tättringshållare	1	
231	3797194	Seal Carrier	Tättringshållare	1	For N
233	3791734	Shaft Seal	Tättningsring	1	Type H, Nitril HP
233	3793418	Shaft Seal	Tättningsring	1	Type V, Viton HP
233	3797195	Shaft Seal	Tättningsring	1	Type N, Nitril LP
233	3706183	Shaft Seal	Tättningsring	1	Type E, Viton LP
237	914540	Retaining Ring	Spärring	1	
238	914529	Retaining Ring	Spärring	1	Only for 3797194
256	3793171	Bleeder Plug	Luftningspropp	1	For C-Housing, M14
257	945653	Seal Washer	Tätbricka	1	For C-Housing
310	3795984	Shaft	Axel	1	Type C
310	3795985	Shaft	Axel	1	Type D
310	3795982	Shaft	Axel	1	Type K
310	3795983	Shaft	Axel	1	Type S
310	3795986	Shaft	Axel	1	Type T
315	3709162	Guide Pin	Styrtapp	1	
321	909306	Flat Key	Plattkil	1	For K
321	118225	Flat Key	Plattkil	1	For T
411	3798157	Cylinder Barrel	Cylindertrumma	1	
430	3709838	Barrel Support	Trumstöd	1	
440	3791925	Piston Assy	Kolv kpl	7	
442	3791596	Piston Ring	Lamellring	21	
452	3791927	Ring Gear	Kuggkrans	1	
460	3797156	Tap Rol Bearing	Kon rullager	1	31308
470	184758	Cyl Bearing	Cyl lager	1	
476	973435	Spacer Washer	Distansbricka		0,5 mm
476	973436	Spacer Washer	Distansbricka		1,0 mm
476	977610	Spacer Washer	Distansbricka		0,6 mm
476	977611	Spacer Washer	Distansbricka		0,8 mm
478	914465	Retaining Ring	Spärring	1	
488	3793622	Shim	Justerbricka	2	0,2
488	3793623	Shim	Justerbricka	2	0,4
488	3793624	Shim	Justerbricka	2	0,6
488	3793625	Shim	Justerbricka	2	0,8
488	3793626	Shim	Justerbricka	2	1,0
491	974109	Hex Socket Screw	Insexskruv	4	M10*40

Item	Part No	Title	Benämning	Qty	Remarks
110	3798186	Barrel Housing Assy	Trumhus kpl	1	Type F
110	3798187	Barrel Housing Assy	Trumhus kpl	1	Type S
121	3792037	Valve Plate	Ventilskiva	1	Type L
121	3791911	Valve Plate	Ventilskiva	1	Type M
121	3791912	Valve Plate	Ventilskiva	1	Type R
130	3707298	Hex Socket Plug Assy	Insexpropp kpl	1	For S- Housing
131	966144	Bleeder Plug	Luftningspropp	1	For F-Housing
132	948884	Seal Washer	Tätbricka	1	For F-Housing
211	3799650	Bearing Housing	Lagerhus	1	Type C "See SI 97/01"
211	3799651	Bearing Housing	Lagerhus	1	Type I "See SI 97/01"
211	3799649	Bearing Housing	Lagerhus	1	Type S "See SI 97/01"
211	3799621	Bearing Housing	Lagerhus	1	Type T "See SI 97/01"
221	3792811	O-Ring	O-Ring	1	Nitril 103*2,5
221	976638	O-Ring	O-Ring	1	Viton 103*2,5
225	925094	O-Ring	O-Ring	1	Nitril 74,5*3
225	974584	O-Ring	O-Ring	1	Viton 74,5*3
229	3792912	O-Ring	O-Ring	1	Nitril 127*4
229	976640	O-Ring	O-Ring	1	Viton 127*4
231	3797194	Seal Carrier	Tättringshållare	1	
233	3791734	Shaft Seal	Tätningssring	1	Type H, Nitril HP
233	3793418	Shaft Seal	Tätningssring	1	Type V, Viton HP
233	3797195	Shaft Seal	Tätningssring	1	Type N, Nitril LP
233	3706183	Shaft Seal	Tätningssring	1	Type E, Viton LP
237	914540	Retaining Ring	Spärring	1	
238	914529	Retaining Ring	Spärring	1	
256	3793171	Bleeder Plug	Luftningspropp	1	For C-Housing, M14
257	945653	Seal Washer	Tätbricka	1	For C-Housing
310	3799636	Shaft	Axel	1	Type C "See SI 97/01"
310	3799638	Shaft	Axel	1	Type D "See SI 97/01"
310	3799632	Shaft	Axel	1	Type K "See SI 97/01"
310	3799644	Shaft	Axel	1	Type P Max 350 Bar
310	3799634	Shaft	Axel	1	Type S "See SI 97/01"
310	3799640	Shaft	Axel	1	Type T "See SI 97/01"
315	3709162	Guide Pin	Styrapp	1	
321	909306	Flat Key	Plattkil	1	For K
321	118225	Flat Key	Plattkil	1	For T
411	3798157	Cylinder Barrel	Cylindertrumma	1	
411	3782447	Cylinder Barrel	Cylindertrumma	1	Pump version
430	3709838	Barrel Support	Trumstöd	1	
440	3791925	Piston Assy	Kolv kpl	7	
442	3791596	Piston Ring	Lamellring	21	
452	3791927	Ring Gear	Kuggkrans	1	
460	3797156	Tap Rol Bearing	Kon rullager	1	31308
470	3796929	Tap Rol Bearing	Kon rullager	1	32207
476	3799569	Spacer Washer	Distansbricka		1,85 mm
476	3799570	Spacer Washer	Distansbricka		1,90 mm
476	3799571	Spacer Washer	Distansbricka		1,95 mm
476	3799572	Spacer Washer	Distansbricka		2,00 mm
476	3799573	Spacer Washer	Distansbricka		2,05 mm
476	3799574	Spacer Washer	Distansbricka		2,10 mm
476	3799575	Spacer Washer	Distansbricka		2,15 mm
476	3799576	Spacer Washer	Distansbricka		2,20 mm
476	3799577	Spacer Washer	Distansbricka		2,25 mm
476	3799578	Spacer Washer	Distansbricka		2,30 mm
476	3799579	Spacer Washer	Distansbricka		2,35 mm



# Spare Parts

ASM 2.1

F12-30 all types from serial No. 1997440001 and up.  
With two Tapered Roller Bearing.

Tab: **F12**

Page 3B

SP 129-0202 GB/S

Item	Part No	Title	Benämning	Qty	Remarks
476	3799580	Spacer Washer	Distansbricka		2,40 mm
476	3799581	Spacer Washer	Distansbricka		2,45 mm
476	3799582	Spacer Washer	Distansbricka		2,50 mm Not available
478	914465	Retaining Ring	Spårring	1	
488	3793622	Shim	Justerbricka	2	0,2
488	3793623	Shim	Justerbricka	2	0,4
488	3793624	Shim	Justerbricka	2	0,6
488	3793625	Shim	Justerbricka	2	0,8
488	3793626	Shim	Justerbricka	2	1,0
488	3797825	Shim	Justerbricka	2	0,7
491	974109	Hex Socket Screw	Insexskruv	4	M10*40





# Spare Parts

# ASM 2.1

F12-40 all types from serial No. 9026001 to 1996029999

Tab: **F12**Cylinder Barrel with Needle Bearing

Page 4

SP 130-0037 GB/S

Item	Part No	Title	Benämning	Qty	Remarks
110	3794926	Barrel Housing Assy	Trumhus kpl	1	Type F - Not available
110	3794928	Barrel Housing Assy	Trumhus kpl	1	Type S - Not available
121	3791573	Valve Plate	Ventilskiva	1	Type L
121	3793456	Valve Plate	Ventilskiva	1	Type M
121	3791572	Valve Plate	Ventilskiva	1	Type R
130	3707298	Hex Socket Plug Assy	Insexpropp kpl	1	For S-Housing
131	3708587	Bleeder Plug	Luftningspropp	1	For F-Housing
132	948884	Seal Washer	Tätbricka	1	For F-Housing
211	3792536	Bearing Housing	Lagerhus	1	Type C
211	3792624	Bearing Housing	Lagerhus	1	Type I
211	3791555	Bearing Housing	Lagerhus	1	Type S
211	3794150	Bearing Housing	Lagerhus	1	Type X
221	948865	O-Ring	O-Ring	1	Nitril
221	976639	O-Ring	O-Ring	1	Viton
225	925258	O-Ring	O-Ring	1	Nitril
225	948981	O-Ring	O-Ring	1	Viton
229	3792913	O-Ring	O-Ring	1	Nitril
229	976641	O-Ring	O-Ring	1	Viton
231	3791510	Seal Carrier	Tättringshållare	1	
231	3796201	Seal Carrier	Tättringshållare	1	For N
233	117852	Shaft Seal	Tättningsring	1	Type N, Nitril LP
233	117852	Shaft Seal	Tättningsring	1	Type E, Viton LP
233	3795084	Shaft Seal	Tättningsring	1	Type H, Nitril HP
233	3793419	Shaft Seal	Tättningsring	1	Type V, Viton HP
237	914548	Retaining Ring	Spårring	1	
238	914534	Retaining Ring	Spårring	1	Only for 3796201
256	3793171	Bleeder Plug	Luftningspropp	1	For C-Housing, M14
257	945653	Seal Washer	Tätbricka	1	For C-Housing
310	3795992	Shaft	Axel	1	Type C
310	3795993	Shaft	Axel	1	Type D
310	3795990	Shaft	Axel	1	Type K
310	3795991	Shaft	Axel	1	Type S
310	3795994	Shaft	Axel	1	Type T
310	3794884	Shaft	Axel	1	Type Z
315	3709162	Guide Pin	Styrtapp	1	
321	909308	Flat Key	Plattkil	1	For K
321	118226	Flat Key	Plattkil	1	For T
411	3791582	Cylinder Barrel	Cylindertrumma	1	
415	184092	Needle Bearing	Nållager	2	
430	3791598	Barrel Support Assy	Trumstöd kpl	1	
440	3791587	Piston Assy	Kolv kpl	7	
442	3705969	Piston Ring	Lamellring	21	
452	3791589	Ring Gear	Kuggkrans	1	
460	184687	Tap Rol Bearing	Kon rullager	1	
470	184695	Cyl Bearing	Cyl lager	1	
476	967529	Spacer Washer	Distansbricka		0,5 mm
476	967530	Spacer Washer	Distansbricka		1,0 mm
476	977612	Spacer Washer	Distansbricka		0,6 mm
476	977613	Spacer Washer	Distansbricka		0,8 mm
478	914470	Retaining Ring	Spårring	1	
488	3793628	Shim	Justerbricka	2	0,2
488	3793629	Shim	Justerbricka	2	0,4
488	3793630	Shim	Justerbricka	2	0,6
488	3793631	Shim	Justerbricka	2	0,8
488	3793632	Shim	Justerbricka	2	1,0
491	969169	Hex Socket Screw	Insexskruv	4	M10*45





# Spare Parts

# ASM 2.1

F12-40 all types from serial No. 1995480001 to 1998019999  
Cylinder Barrel without Needle Bearing

Tab: **F12**

Page 5

SP 130-0037 GB/S

Item	Part No	Title	Benämning	Qty	Remarks
110	3798203	Barrel Housing Assy	Trumhus kpl	1	Type F
110	3798204	Barrel Housing Assy	Trumhus kpl	1	Type S
121	3791573	Valve Plate	Ventilskiva	1	Type L
121	3793456	Valve Plate	Ventilskiva	1	Type M
121	3791572	Valve Plate	Ventilskiva	1	Type R
130	3707298	Hex Socket Plug Assy	Insexpropp kpl	1	For S-Housing
131	3708587	Bleeder Plug	Luftningspropp	1	For F-Housing
132	948884	Seal Washer	Tätbricka	1	For F-Housing
211	3792536	Bearing Housing	Lagerhus	1	Type C
211	3792624	Bearing Housing	Lagerhus	1	Type I
211	3791555	Bearing Housing	Lagerhus	1	Type S
211	3794150	Bearing Housing	Lagerhus	1	Type X
221	948865	O-Ring	O-Ring	1	Nitril
221	976639	O-Ring	O-Ring	1	Viton
225	925258	O-Ring	O-Ring	1	Nitril
225	948981	O-Ring	O-Ring	1	Viton
229	3792913	O-Ring	O-Ring	1	Nitril
229	976641	O-Ring	O-Ring	1	Viton
231	3791510	Seal Carrier	Tättringshållare	1	
231	3796201	Seal Carrier	Tättringshållare	1	For N
233	117852	Shaft Seal	Tättningsring	1	Type N, Nitril LP
233	118752	Shaft Seal	Tättningsring	1	Type E, Viton LP
233	3795084	Shaft Seal	Tättningsring	1	Type H, Nitril HP
233	3793419	Shaft Seal	Tättningsring	1	Type V, Viton HP
237	914548	Retaining Ring	Spärring	1	
238	914534	Retaining Ring	Spärring	1	Only for 3796201
256	3793171	Bleeder Plug	Luftningspropp	1	For C-Housing, M14
257	945653	Seal Washer	Tätbricka	1	For C-Housing
310	3795992	Shaft	Axel	1	Type C
310	3795993	Shaft	Axel	1	Type D
310	3795990	Shaft	Axel	1	Type K
310	3795991	Shaft	Axel	1	Type S
310	3795994	Shaft	Axel	1	Type T
310	3794884	Shaft	Axel	1	Type Z
315	3709162	Guide Pin	Styrtapp	1	
321	909308	Flat Key	Plattkil	1	For K
321	118226	Flat Key	Plattkil	1	For T
411	3798159	Cylinder Barrel	Cylindertrumma	1	
430	3709839	Barrel Support Assy	Trumstöd kpl	1	
440	3791587	Piston Assy	Kolv kpl	7	
442	3705969	Piston Ring	Lamellring	21	
452	3791589	Ring Gear	Kuggkrans	1	
460	184687	Tap Rol Bearing	Kon rullager	1	
470	184695	Cyl Bearing	Cyl lager	1	
476	967529	Spacer Washer	Distansbricka		0,5 mm
476	967530	Spacer Washer	Distansbricka		1,0 mm
476	977612	Spacer Washer	Distansbricka		0,6 mm
476	977613	Spacer Washer	Distansbricka		0,8 mm
478	914470	Retaining Ring	Spärring	1	
488	3793628	Shim	Justerbricka	2	0,2
488	3793629	Shim	Justerbricka	2	0,4
488	3793630	Shim	Justerbricka	2	0,6
488	3793631	Shim	Justerbricka	2	0,8
488	3793632	Shim	Justerbricka	2	1,0
491	969169	Hex Socket Screw	Insexskruv	4	M10*45



# Spare Parts

# ASM 2.1

F12-40 all types from serial No. 1997440001 and up

Tab: **F12**

Page 5A

With two Tapered Roller Bearing

SP 130-0202 GB/S

Item	Part No	Title	Benämning	Qty	Remarks
110	3798203	Barrel Housing Assy	Trumhus kpl	1	Type F
110	3798204	Barrel Housing Assy	Trumhus kpl	1	Type S
121	3791573	Valve Plate	Ventilskiva	1	Type L
121	3793456	Valve Plate	Ventilskiva	1	Type M
121	3791572	Valve Plate	Ventilskiva	1	Type R
130	3707298	Hex Socket Plug Assy	Insexpropp kpl	1	For S-Housing
131	3708587	Bleeder Plug	Luftningspropp	1	For F-Housing
132	948884	Seal Washer	Tätbricka	1	For F-Housing
211	3799484	Bearing Housing	Lagerhus	1	Type C "See SI 97/04"
211	3799485	Bearing Housing	Lagerhus	1	Type I "See SI 97/04"
211	3799483	Bearing Housing	Lagerhus	1	Type S "See SI 97/04"
211	3799486	Bearing Housing	Lagerhus	1	Type X "See SI 97/04"
211	3799622	Bearing Housing	Lagerhus	1	Type T "See SI 97/04"
221	948865	O-Ring	O-Ring	1	Nitril
221	976639	O-Ring	O-Ring	1	Viton
225	925258	O-Ring	O-Ring	1	Nitril
225	948981	O-Ring	O-Ring	1	Viton
229	3792913	O-Ring	O-Ring	1	Nitril
229	976641	O-Ring	O-Ring	1	Viton
231	3796201	Seal Carrier	Tättringshållare	1	
233	117852	Shaft Seal	Tätningring	1	Type N, Nitril LP
233	118752	Shaft Seal	Tätningring	1	Type E, Viton LP
233	3795084	Shaft Seal	Tätningring	1	Type H, Nitril HP
233	3793419	Shaft Seal	Tätningring	1	Type V, Viton HP
236	3795387	Spacer Washer 1mm	Distansbricka 1mm	1	Only for shaftseal H and V
237	914548	Retaining Ring	Spärring	1	
238	914534	Retaining Ring	Spärring	1	
256	3793171	Bleeder Plug	Luftningspropp	1	For C-Housing, M14
257	945653	Seal Washer	Tätbricka	1	For C-Housing
310	3799455	Shaft	Axel	1	Type C "See SI 97/04"
310	3799457	Shaft	Axel	1	Type D "See SI 97/04"
310	3799451	Shaft	Axel	1	Type K "See SI 97/04"
310	3799453	Shaft	Axel	1	Type S "See SI 97/04"
310	3799459	Shaft	Axel	1	Type T "See SI 97/04"
310	3799461	Shaft	Axel	1	Type Z "See SI 97/04"
315	3709162	Guide Pin	Styrtapp	1	
321	909308	Flat Key	Plattkil	1	For K
321	118226	Flat Key	Plattkil	1	For T
411	3798159	Cylinder Barrel	Cylindertrumma	1	
411	3782497	Cylinder Barrel	Cylindertrumma	1	Pump version
430	3709839	Barrel Support Assy	Trumstöd kpl	1	
440	3791587	Piston Assy	Kolv kpl	7	
442	3705969	Piston Ring	Lamellring	21	
452	3791589	Ring Gear	Kuggkrans	1	
460	184687	Tap Rol Bearing	Konrullager	1	
470	118770	Tap Rol Bearing	Konrullager	1	
476	3799602	Spacer Washer	Distansbricka		2,35 mm
476	3799603	Spacer Washer	Distansbricka		2,40 mm
476	3799604	Spacer Washer	Distansbricka		2,45 mm
476	3799605	Spacer Washer	Distansbricka		2,50 mm
476	3799606	Spacer Washer	Distansbricka		2,55 mm
476	3799607	Spacer Washer	Distansbricka		2,60 mm
476	3799608	Spacer Washer	Distansbricka		2,65 mm
476	3799609	Spacer Washer	Distansbricka		2,70 mm
476	3799610	Spacer Washer	Distansbricka		2,75 mm



# Spare Parts

ASM 2.1

F12-40 all types from serial No. 1997440001 and up

Tab: F12

With two Tapered Roller Bearing

Page 5B

SP 130-0202 GB/S

---

Item	Part No	Title	Benämning	Qty	Remarks
476	3799611	Spacer Washer	Distansbricka		2,80 mm
476	3799612	Spacer Washer	Distansbricka		2,85 mm
476	3799613	Spacer Washer	Distansbricka		2,90 mm
476	3799614	Spacer Washer	Distansbricka		2,95 mm
476	3799615	Spacer Washer	Distansbricka		3,00 mm Not available
478	914470	Retaining Ring	Spårring	1	
488	3793628	Shim	Justerbricka	2	0,2
488	3793629	Shim	Justerbricka	2	0,4
488	3793630	Shim	Justerbricka	2	0,6
488	3793631	Shim	Justerbricka	2	0,8
488	3793632	Shim	Justerbricka	2	1,0
491	969169	Hex Socket Screw	Insexskruv	4	M10*45



# Spare Parts

# ASM 2.1

F12-60 all types from serial No. 8915001 to 19998019999  
Cylinder Barrel with Needle Bearing

Tab: **F12**

Page 6

SP 131-0037

Item	Part No	Title	Benämning	Qty	Remarks
110	3709458	Barrel Housing Assy	Trumhus kpl	1	Type F
110	3793556	Barrel Housing Assy	Trumhus kpl	1	Type S
121	3709859	Valve Plate	Ventilskiva	1	Type L
121	3791799	Valve Plate	Ventilskiva	1	Type M
121	3709858	Valve Plate	Ventilskiva	1	Type R
130	3708150	Hex socket Plug Assy	Insexpropp	1	For S-Housing
131	3705912	Bleeder Plug	Luftningspropp	1	For F-Housing
132	948885	Seal Washer	Tätbricka	1	For F-Housing
211	3792268	Bearing Housing	Lagerhus	1	Type C
211	3792271	Bearing Housing	Lagerhus	1	Type I
211	3793553	Bearing Housing	Lagerhus	1	Type S
221	925263	O-Ring	O-Ring	1	Nitril
221	948982	O-Ring	O-Ring	1	Viton
225	925258	O-Ring	O-Ring	1	Nitril
225	948981	O-Ring	O-Ring	1	Viton
229	3792913	O-Ring	O-Ring	1	Nitril
229	976641	O-Ring	O-Ring	1	Viton
231	3791510	Seal Carrier	Tättringshållare	1	
231	3796201	Seal Carrier	Tättringshållare	1	For N
233	117852	Shaft Seal	Tätningssring	1	Type N, Nitril LP
233	118752	Shaft Seal	Tätningssring	1	Type E, Viton LP
233	3795084	Shaft Seal	Tätningssring	1	Type H, Nitril HP
233	3793419	Shaft Seal	Tätningssring	1	Type V, Viton HP
237	914548	Retaining Ring	Spårring	1	
238	914534	Retaining Ring	Spårring	1	Only for 3796201
256	3793171	Bleeder Plug	Luftningspropp	1	For C-Housing
257	945653	Seal Washer	Tätbricka	1	For C-Housing
310	3798529	Shaft assy	Axel kpl	1	Type C
310	3798528	Shaft assy	Axel kpl	1	Type D
310	3798526	Shaft assy	Axel kpl	1	Type K
310	3798527	Shaft assy	Axel kpl	1	Type S
310	3798530	Shaft assy	Axel kpl	1	Type T
310	3798531	Shaft assy	Axel kpl	1	Type X-105
310	3798832	Shaft assy	Axel kpl	1	Type X-109
315	3709162	Guide Pin	Styrtapp	1	Old type
315	3709308	Guide Pin	Styrtapp	1	From Serialno 1995450001
321	909323	Flat Key	Plattkil	1	For K
321	118226	Flat Key	Plattkil	1	For T
411	3709468	Cylinder Barrel	Cylindertrumma	1	
415	184092	Needle Bearing	Nållager	2	
430	3709929	Barrel Support	Trumstöd	1	
440	3709470	Piston Assy	Kolv kpl	7	
442	3795377	Piston Ring	Lamellring	21	
452	3709475	Ring Gear	Kuggkrans	1	Old type
452	3797716	Ring Gear	Kuggkrans	1	From Serialno 1995450001
460	184660	Tap Rol Bearing	Kon rullager	1	
470	184695	Cyl Bearing	Cyl lager	1	
476	967529	Spacer Washer	Distansbricka		0,5 mm
476	967530	Spacer Washer	Distansbricka		1,0 mm
476	977612	Spacer Washer	Distansbricka		0,6 mm
476	977613	Spacer Washer	Distansbricka		0,8 mm
478	914470	Retaining Ring	Spårring	1	
488	3793616	Shim	Justerbricka	2	0,2
488	3793617	Shim	Justerbricka	2	0,4
488	3793618	Shim	Justerbricka	2	0,6
488	3793619	Shim	Justerbricka	2	0,8
488	3793620	Shim	Justerbricka	2	1,0
491	969169	Hex Socket Screw	Insexskruv	4	



# Spare Parts

# ASM 2.1

F12-60 all types from serial No.1997440001 and up  
With two Tapered Roller Bearing and without Needle Bearings

Tab: **F12**  
Page 6A  
SP 131-0037

Item	Part No	Title	Benämning	Qty	Remarks
110	3798562	Barrel Housing Assy	Trumhus kpl	1	Type F
110	3798563	Barrel Housing Assy	Trumhus kpl	1	Type S
121	3709859	Valve Plate	Ventilskiva	1	Type L
121	3791799	Valve Plate	Ventilskiva	1	Type M
121	3709858	Valve Plate	Ventilskiva	1	Type R
130	3708150	Hex socket Plug Assy	Insexpropp	1	For S-Housing
131	3705912	Bleeder Plug	Luftningspropp	1	For F-Housing
132	948885	Seal Washer	Tätbricka	1	For F-Housing
211	3799675	Bearing Housing	Lagerhus	1	Type C "See SI 97/05"
211	3799676	Bearing Housing	Lagerhus	1	Type I "See SI 97/05"
211	3799677	Bearing Housing	Lagerhus	1	Type S "See SI 97/05"
211	3799623	Bearing Housing	Lagerhus	1	Type T "See SI 97/05"
221	925263	O-Ring	O-Ring	1	Nitril
221	948982	O-Ring	O-Ring	1	Viton
225	925258	O-Ring	O-Ring	1	Nitril
225	948981	O-Ring	O-Ring	1	Viton
229	3792913	O-Ring	O-Ring	1	Nitril
229	976641	O-Ring	O-Ring	1	Viton
231	3796201	Seal Carrier	Tättringshållare	1	
233	117852	Shaft Seal	Tätningring	1	Type N, Nitril LP
233	117852	Shaft Seal	Tätningring	1	Type E, Viton LP
233	3795084	Shaft Seal	Tätningring	1	Type H, Nitril HP
233	3793419	Shaft Seal	Tätningring	1	Type V, Viton HP
236	3795387	Spacer Washer 1mm	Distansbricka 1mm	1	Only for shaftseal H and V
237	914548	Retaining Ring	Spärring	1	
238	914534	Retaining Ring	Spärring	1	
256	3793171	Bleeder Plug	Luftningspropp	1	For C-Housing
257	945653	Seal Washer	Tätbricka	1	For C-Housing
310	3799686	Shaft assy	Axel kpl	1	Type C "See SI 97/05"
310	3799688	Shaft assy	Axel kpl	1	Type D "See SI 97/05"
310	3799682	Shaft assy	Axel kpl	1	Type K "See SI 97/05"
310	3799684	Shaft assy	Axel kpl	1	Type S "See SI 97/05"
310	3799690	Shaft assy	Axel kpl	1	Type T "See SI 97/05"
310	3799692	Shaft assy	Axel kpl	1	Type X-105 "See SI 97/05"
310	3799694	Shaft assy	Axel kpl	1	Type X-109 "See SI 97/05"
315	3709162	Guide Pin	Styrtapp	1	Old type
315	3709308	Guide Pin	Styrtapp	1	From Serialno 1995450001
321	909323	Flat Key	Plattkil	1	For K
321	118226	Flat Key	Plattkil	1	For T
411	3797719	Cylinder Barrel	Cylindertrumma	1	
411	3781278	Cylinder Barrel	Cylindertrumma	1	Pump version
430	3709840	Barrel Support	Trumstöd	1	
440	3709470	Piston Assy	Kolv kpl	7	
442	3795377	Piston Ring	Lamellring	21	
452	3799822	Ring Gear	Kuggkrans	1	
460	184660	Tap Rol Bearing	Kon rullager	1	
470	118770	Tap Rol Bearing	Kon rullager	1	
476	3799602	Spacer Washer	Distansbricka		2,35 mm
476	3799603	Spacer Washer	Distansbricka		2,40 mm
476	3799604	Spacer Washer	Distansbricka		2,45 mm
476	3799605	Spacer Washer	Distansbricka		2,50 mm
476	3799606	Spacer Washer	Distansbricka		2,55 mm
476	3799607	Spacer Washer	Distansbricka		2,60 mm
476	3799608	Spacer Washer	Distansbricka		2,65 mm
476	3799609	Spacer Washer	Distansbricka		2,70 mm
476	3799610	Spacer Washer	Distansbricka		2,75 mm



# Spare Parts

ASM 2.1

F12-60 all types from serial No. 1997440001  
With two Tapered Roller Bearing and without Needle Bearings

Tab: **F12**  
Page 6B  
SP 131-0037

Item	Part No	Title	Benämning	Qty	Remarks
476	3799611	Spacer Washer	Distansbricka		2,80 mm
476	3799612	Spacer Washer	Distansbricka		2,85 mm
476	3799613	Spacer Washer	Distansbricka		2,90 mm
476	3799614	Spacer Washer	Distansbricka		2,95 mm
478	914470	Retaining Ring	Spärring	1	
488	3793616	Shim	Justerbricka	2	0,2
488	3793617	Shim	Justerbricka	2	0,4
488	3793618	Shim	Justerbricka	2	0,6
488	3793619	Shim	Justerbricka	2	0,8
488	3793620	Shim	Justerbricka	2	1,0
491	969169	Hex Socket Screw	Insexskruv	4	



Item	Part No	Title	Benämning	Qty	Remarks
110	3794777	Barrel Housing Assy	Trumhus kpl	1	Type F
110	3794778	Barrel Housing Assy	Trumhus kpl	1	Type S
121	3709709	Valve Plate	Ventilskiva	1	Type L
121	3792773	Valve Plate	Ventilskiva	1	Type M
121	3709708	Valve Plate	Ventilskiva	1	Type R
130	3708150	Hex Socket Plug Assy	Insexpropp kpl	1	For S-Housing
131	3705912	Bleeder Plug	Luftningspropp	1	For F-Housing
132	948885	Seal Washer	Tätbricka	1	For F-Housing
211	3792307	Bearing Housing	Lagerhus	1	Type C
211	3792310	Bearing Housing	Lagerhus	1	Type I
211	3709664	Bearing Housing	Lagerhus	1	Type S
211	3794601	Bearing Housing	Lagerhus	1	Type X
221	925265	O-Ring	O-Ring	1	Nitril
221	948984	O-Ring	O-Ring	1	Viton
225	925260	O-Ring	O-Ring	1	Nitril
225	949841	O-Ring	O-Ring	1	Viton
229	3792875	O-Ring	O-Ring	1	Nitril
229	976642	O- Ring	O- Ring	1	Nitril
231	3709304	Seal Carrier	Tättringshållare	1	
231	3796200	Seal Carrier	Tättringshållare	1	For N
233	117853	Shaft Seal	Tätningarring	1	Type N, Nitril LP
233	118753	Shaft Seal	Tätningarring	1	Type E, Viton LP
233	3795085	Shaft Seal	Tätningarring	1	Type H, Nitril HP
233	3793420	Shaft Seal	Tätningarring	1	Type V, Viton HP
237	914550	Retaining Ring	Spårring	1	
238	914537	Retaining Ring	Spårring	1	Only for 3796200
256	3793171	Bleeder Plug	Luftningspropp	1	For C-Housing
257	945653	Seal Washer	Tätbricka	1	For C-Housing
310	3796003	Shaft	Axel	1	Type C
310	3796004	Shaft	Axel	1	Type D
310	3796001	Shaft	Axel	1	Type K
310	3796002	Shaft	Axel	1	Type S
310	3796005	Shaft	Axel	1	Type T
315	3709308	Guide Pin	Styrtapp	1	
321	3709687	Flat Key	Plattkil	1	For T
321	948125	Flat Key	Plattkil	1	For K
411	3709673	Cylinder Barrel	Cylindertrumma	1	
415	184129	Needle Bearing	Nållager	2	
430	3709930	Barrel Support	Trumstöd	1	
440	3709307	Piston Assy	Kolv kpl	7	
442	3705784	Piston Ring	Lamellring	21	
452	3709646	Ring gear	Kuggkrans	1	
460	184694	Tap Rol Bearing	Kon rullager	1	
470	184756	Cyl Bearing	Cyl lager	1	
476	948360	Spacer Washer	Distansbricka		0,5
476	948361	Spacer Washer	Distansbricka		1,0
476	977616	Spacer Washer	Distansbricka		0,6
476	977617	Spacer Washer	Distansbricka		0,8
478	914474	Retaining Ring	Spårring	1	
488	3793634	Shim	Justerbricka	2	0,2
488	3793635	Shim	Justerbricka	2	0,4
488	3793636	Shim	Justerbricka	2	0,6
488	3793637	Shim	Justerbricka	2	0,8
488	3793638	Shim	Justerbricka	2	1,0
491	948670	Hex Socket Screw	Insexskruv	4	M12*50





# Spare Parts

# ASM 2.1

F12-80  
With two Tapered Roller Bearing and without Needle Bearings  
From serial no. 1998491161

Tab: **F12**  
Page 7A  
SP 132-0236

Item	Part No	Title	Benämning	Qty	Remarks
110	3780658	Barrel Housing Assy	Trumhus kpl	1	Type F
110	3780660	Barrel Housing Assy	Trumhus kpl	1	Type S
110	3780156	Barrel Housing Assy	Trumhus kpl	1	Type F, For Flushing
110	3780157	Barrel Housing Assy	Trumhus kpl	1	Type S, For Flushing
121	3709709	Valve Plate	Ventilskiva	1	Type L
121	3792773	Valve Plate	Ventilskiva	1	Type M
121	3709708	Valve Plate	Ventilskiva	1	Type R
130	3708150	Hex Socket Plug Assy	Insexpropp kpl	1	For S-Housing
131	3705912	Bleeder Plug	Luftningspropp	1	For F-Housing
132	948885	Seal Washer	Tätbricka	1	For F-Housing
211	3780709	Bearing Housing	Lagerhus	1	Type C "See SI 98/11"
211	3780710	Bearing Housing	Lagerhus	1	Type I "See SI 98/11"
211	3780711	Bearing Housing	Lagerhus	1	Type S "See SI 98/11"
211	3780712	Bearing Housing	Lagerhus	1	Type X "See SI 98/11"
211	3780812	Bearing Housing	Lagerhus	1	Type S Speedpickup M12
211	3780813	Bearing Housing	Lagerhus	1	Type I Speedpickup M12
221	3782556	O-Ring	O-Ring	1	Nitril Replaces 925265
221	948984	O-Ring	O-Ring	1	Viton
225	925260	O-Ring	O-Ring	1	Nitril
225	949841	O-Ring	O-Ring	1	Viton
229	3792875	O-Ring	O-Ring	1	Nitril
229	976642	O-Ring	O-Ring	1	Viton
231	3796200	Seal Carrier	Tättringshållare	1	
233	117853	Shaft Seal	Tättningsring	1	Type N, Nitril LP
233	118753	Shaft Seal	Tättningsring	1	Type E, Viton LP
233	3795085	Shaft Seal	Tättningsring	1	Type H, Nitril HP
233	3793420	Shaft Seal	Tättningsring	1	Type V, Viton HP
236	3797233	Spacer Washer 1mm	Distansbricka 1mm	1	Only for softseal type H and V
237	914550	Retaining Ring	Spårring	1	
238	914537	Retaining Ring	Spårring	1	
256	3793171	Bleeder Plug	Luftningspropp	1	For C-Housing
257	945653	Seal Washer	Tätbricka	1	For C-Housing
310	3780671	Shaft	Axel	1	Type C "See SI 98/11"
310	3780673	Shaft	Axel	1	Type D "See SI 98/11"
310	3780667	Shaft	Axel	1	Type K "See SI 98/11"
310	3780669	Shaft	Axel	1	Type S "See SI 98/11"
310	3780675	Shaft	Axel	1	Type T "See SI 98/11"
310	3780677	Shaft	Axel	1	Type U, Max 350 Bar
315	3709308	Guide Pin	Styrtapp	1	
321	3709687	Flat Key	Plattkil	1	For T
321	948125	Flat Key	Plattkil	1	For K
411	3780656	Cylinder Barrel	Cylindertrumma	1	
411	3782530	Cylinder Barrel	Cylindertrumma	1	Pump version
430	3709840	Barrel Support	Trumstöd	1	
440	3709307	Piston Assy	Kolv kpl	7	
442	3705784	Piston Ring	Lamellring	21	
452	3709646	Ring gear	Kuggkrans	1	
460	184694	Tap Rol Bearing	Konrullager	1	
470	118231	Tap Rol Bearing	Konrullager	1	
476	3799322	Spacer Washer	Distansbricka		2,35
476	3799323	Spacer Washer	Distansbricka		2,40
476	3799324	Spacer Washer	Distansbricka		2,45
476	3799325	Spacer Washer	Distansbricka		2,50



# Spare Parts

ASM 2.1

F12-80

With two Tapered Roller Bearing and without Needle Bearings  
From serial no. 1998491161

Tab: **F12**

Page 7B

SP 132-0236

Item	Part No	Title	Benämning	Qty	Remarks
476	3799326	Spacer Washer	Distansbricka		2,55
476	3799327	Spacer Washer	Distansbricka		2,60
476	3799328	Spacer Washer	Distansbricka		2,65
476	3799329	Spacer Washer	Distansbricka		2,70
476	3799330	Spacer Washer	Distansbricka		2,75
476	3799331	Spacer Washer	Distansbricka		2,80
476	3799332	Spacer Washer	Distansbricka		2,85
476	3799333	Spacer Washer	Distansbricka		2,90
476	3799334	Spacer Washer	Distansbricka		2,95
476	3799335	Spacer Washer	Distansbricka		3,00 Not available
478	914474	Retaining Ring	Spårring	1	
488	3793634	Shim	Justerbricka	2	0,2
488	3793635	Shim	Justerbricka	2	0,4
488	3793636	Shim	Justerbricka	2	0,6
488	3793637	Shim	Justerbricka	2	0,8
488	3793638	Shim	Justerbricka	2	1,0
491	948670	Hex Socket Screw	Insexskruv	4	M12*50

Pos	Part No	Title	Benämning	Qty	Remarks
110	3794372	Barrel Housing Assy	Trumhus kpl	1	Type S
110	3709914	Barrel Housing Assy	Trumhus kpl	1	Type F
121	3794369	Valve Plate	Ventilskiva	1	Type M
121	3791577	Valve Plate	Ventilskiva	1	Type L
121	3791576	Valve Plate	Ventilskiva	1	Type R
130	3707299	Hex Socket Plug Assy	Insexpropp kpl	1	For S-Housing
131	3705912	Bleeder Plug	Luftningspropp	1	For F-Housing
132	948885	Seal Washer	Tätbricka	1	For F-Housing
211	3709814	Bearing Housing	Lagerhus	1	Type S
211	3792445	Bearing Housing	Lagerhus	1	Type I
211	3792438	Bearing Housing	Lagerhus	1	Type C
221	925267	O-ring	O-Ring	1	Nitril
221	948985	O-Ring	O-Ring	1	Viton
225	3796540	O-Ring	O-Ring	1	Nitril
225	3796541	O-Ring	O-Ring	1	Viton
229	976643	O- Ring	O- Ring	1	Viton
231	3709884	Seal Carrier	Tättringshållare	1	
231	3796182	Seal Carrier	Tättringshållare	1	For N
233	117854	Shaft Seal	Tättningsring	1	Type N, Nitril LP
233	117854	Shaft Seal	Tättningsring	1	Type E, Viton LP
233	3795086	Shaft Seal	Tättningsring	1	Type H, Nitril HP
233	3793426	Shaft Seal	Tättningsring	1	Type V, Viton HP
237	914552	Retaining Ring	Spärring	1	
238	914540	Retaining Ring	Spärring	1	Only for 3796182
255	3707299	Hex Socket Plug Assy	Insexpropp kpl	1	For S-Housing
256	3705912	Bleeder Plug	Luftningspropp	1	For C-Housing
257	948885	Seal Washer	Tätbricka	1	For C-Housing
310	3796006	Shaft	Axel	1	Type S
310	3796009	Shaft	Axel	1	Type C
310	3796008	Shaft	Axel	1	Type D
310	3796007	Shaft	Axel	1	Type K
310	3796010	Shaft	Axel	1	Type T
315	3709308	Guide pin	Styrtapp	1	
321	909358	Flat Key	Plattkil	1	Typ K
321	118227	Flat Key	Plattkil	1	Typ T
411	3709801	Cylinder Barrel	Cylindertrumma	1	
415	184129	Needle Bearing	Nållager	2	
430	3709930	Barrel Support	Trumstöd	1	
440	3780928	Piston Assy	Kolv kpl	7	
442	3705975	Piston Ring	Lamellring	21	
452	3709919	Ring gear	Kuggkrans	1	
460	184662	Tap Rol Bearing	Kon rullager	1	
470	184757	Cyl Bearing	Cyl lager	1	
476	946297	Spacer Washer	Distansbricka		0,5
476	946298	Spacer Washer	Distansbricka		1,0
476	977618	Spacer Washer	Distansbricka		0,6
476	977619	Spacer Washer	Distansbricka		0,8
478	914476	Retaining Ring	Spärring	1	
488	3794036	Shim	Justerbricka	2	0,2
488	3794037	Shim	Justerbricka	2	0,4
488	3794038	Shim	Justerbricka	2	0,6
488	3794040	Shim	Justerbricka	2	0,8
488	3794041	Shim	Justerbricka	2	1,0
491	948670	Hex Socket Screw	Insexskruv	4	



# Spare Parts

F12-110 With two Tapered Roller Bearings

From serial no. 2000141259 see SI 98/09  
From serial no. 200402010001 see SI 04/01

Tab: **F12**

Page 8A  
SP 158-0433

Pos	Part No	Title	Benämning	Qty	Remarks
110	3794372	Barrel Housing Assy	Trumhus kpl	1	Type S
110	3709914	Barrel Housing Assy	Trumhus kpl	1	Type F
121	3794369	Valve Plate	Ventilskiva	1	Type M
121	3791577	Valve Plate	Ventilskiva	1	Type L
121	3791576	Valve Plate	Ventilskiva	1	Type R
130	3707299	Hex Socket Plug Assy	Insexpropp kpl	1	For S-Housing
131	3705912	Bleeder Plug	Luftningspropp	1	For F-Housing
132	948885	Seal Washer	Tätbricka	1	For F-Housing
211	3781439	Bearing Housing	Lagerhus	1	Type S "See SI 99/09"
211	3781448	Bearing Housing	Lagerhus	1	Type S speedsensor
211	3781438	Bearing Housing	Lagerhus	1	Type I "See SI 99/09"
211	3781447	Bearing Housing	Lagerhus	1	Type I speedsensor
211	3781443	Bearing Housing	Lagerhus	1	Type C "See SI 99/09"
211	3781449	Bearing Housing	Lagerhus	1	Type C speedsensor
221	925267	O-ring	O-Ring	1	Nitril
221	948985	O-Ring	O-Ring	1	Viton
225	3796540	O-Ring	O-Ring	1	Nitril
225	3796541	O-Ring	O-Ring	1	Viton
229	976643	O- Ring	O- Ring	1	Viton
231	3709884	Seal Carrier	Tättringshållare	1	
231	3796182	Seal Carrier	Tättringshållare	1	For N
233	117854	Shaft Seal	Tättningsring	1	Type N, Nitril LP
233	118754	Shaft Seal	Tättningsring	1	Type E, Viton LP
233	3795086	Shaft Seal	Tättningsring	1	Type H, Nitril HP
233	3793426	Shaft Seal	Tättningsring	1	Type V, Viton HP
236	3798222	Spacer Washer 1mm	Distansbricka	1	Only for shaftseal type H & V
237	914552	Retaining Ring	Spärring	1	
238	914540	Retaining Ring	Spärring	1	Only for 3796182
255	3707299	Hex Socket Plug Assy	Insexpropp kpl	1	For S-Housing
256	3705912	Bleeder Plug	Luftningspropp	1	For C-Housing
257	948885	Seal Washer	Tätbricka	1	For C-Housing
310	3783320	Shaft	Axel	1	Type S "See SI 04/01"
310	3783323	Shaft	Axel	1	Type C "See SI 04/01"
310	3783322	Shaft	Axel	1	Type D "See SI 04/01"
310	3783321	Shaft	Axel	1	Type K "See SI 04/01"
310	3783324	Shaft	Axel	1	Type T "See SI 04/01"
315	3794556	Guide pin	Styrtapp	1	See SI 04/01
321	909358	Flat Key	Plattkil	1	Typ K
321	118227	Flat Key	Plattkil	1	Typ T
411	3709801	Cylinder Barrel	Cylindertrumma	1	
411	3782462	Cylinder Barrel	Cylindertrumma	1	Pump version
415	184129	Needle Bearing	Nållager	2	
430	3709930	Barrel Support	Trumstöd	1	
440	3706407	Piston Assy	Kolv kpl	7	Replaces 3780928
442	3705975	Piston Ring	Lamellring	21	Not available
452	3783319	Ring gear	Kuggkrans	1	See SI 04/01
460	184662	Tap Rol Bearing	Konrullager	1	
470	11075	Tap Rol Bearing	Konrullager	1	
476	3799337	Spacer Washer	Distansbricka		2,35
476	3799338	Spacer Washer	Distansbricka		2,40
476	3799339	Spacer Washer	Distansbricka		2,45



# Spare Parts

ASM 2.1

F12-110 With two Tapered Roller Bearings

From serial no. 2000141259 see SI 98/09

From serial no. 200402010001 see SI 04/01

Tab: **F12**

Page 8B

SP158-0433

Pos	Part No	Title	Benämning	Qty	Remarks
476	3799340	Spacer Washer	Distansbricka		2,50
476	3799341	Spacer Washer	Distansbricka		2,55
476	3799342	Spacer Washer	Distansbricka		2,60
476	3799343	Spacer Washer	Distansbricka		2,65
476	3799344	Spacer Washer	Distansbricka		2,70
476	3799345	Spacer Washer	Distansbricka		2,75
476	3799346	Spacer Washer	Distansbricka		2,80
476	3799347	Spacer Washer	Distansbricka		2,85
476	3799348	Spacer Washer	Distansbricka		2,90
476	3799349	Spacer Washer	Distansbricka		2,95
478	914476	Retaining Ring	Spårring	1	
488	3794036	Shim	Justerbricka	2	0,2
488	3794037	Shim	Justerbricka	2	0,4
488	3794038	Shim	Justerbricka	2	0,6
488	3794040	Shim	Justerbricka	2	0,8
488	3794041	Shim	Justerbricka	2	1,0
491	948670	Hex Socket Screw	Insexskruv	4	

To fit	Part No	Title	Benämning	Type:	
F12-030 type H	3793492	Sealing Kit	Tätningssats	Nitril	HP
F12-030 type V	3793493	Sealing Kit	Tätningssats	Viton	HP
F12-030 type N	3785132	Sealing Kit	Tätningssats	Nitril	LP
F12-030 type E	3785138	Sealing Kit	Tätningssats	Viton	LP
F12-040 type H	3793494	Sealing Kit	Tätningssats	Nitril	HP
F12-040 type V	3793495	Sealing Kit	Tätningssats	Viton	HP
F12-040 type N	3785133	Sealing Kit	Tätningssats	Nitril	LP
F12-040 type E	3785134	Sealing Kit	Tätningssats	Viton	LP
F12-060 type H	3793496	Sealing Kit	Tätningssats	Nitril	HP
F12-060 type V	3793497	Sealing Kit	Tätningssats	Viton	HP
F12-060 type N	3785135	Sealing Kit	Tätningssats	Nitril	LP
F12-060 type E	3785139	Sealing Kit	Tätningssats	Viton	LP
F12-080 type H	3793498	Sealing Kit	Tätningssats	Nitril	HP
F12-080 type V	3793499	Sealing Kit	Tätningssats	Viton	HP
F12-080 type N	3785136	Sealing Kit	Tätningssats	Nitril	LP
F12-080 type E	3785140	Sealing Kit	Tätningssats	Viton	LP
F12-110 type H	3798091	Sealing Kit	Tätningssats	Nitril	HP
F12-110 type V	3798092	Sealing Kit	Tätningssats	Viton	HP
F12-110 type N	3785137	Sealing Kit	Tätningssats	Nitril	LP
F12-110 type E	3785141	Sealing Kit	Tätningssats	Viton	LP

The Kits comprise items 221, 225, 229 and 233.

F12-030 Type H	3780914	Spare Parts Kit	Reservdelssats
F12-040 Type H	3780476	Spare Parts Kit	Reservdelssats
F12-060 Type H	3780478	Spare Parts Kit	Reservdelssats
F12-080 Type H	3781240	Spare Parts Kit	Reservdelssats
F12-110 Type H	3782359	Spare Parts Kit	Reservdelssats

The Kits comprise items 121, 221, 225, 233, 411 and 440. Item 415 is included in the spare parts kit for F12-110. If more parts are required it is normally not profitable to carry out a repair.