

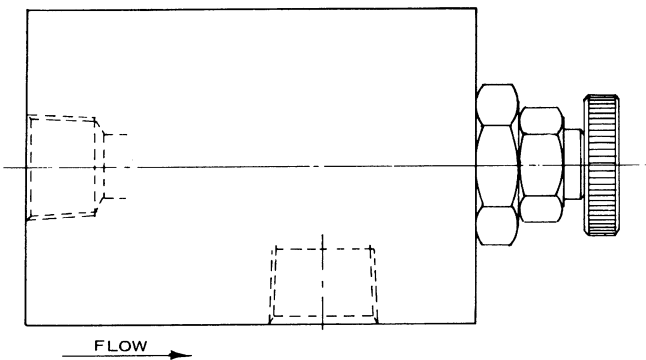
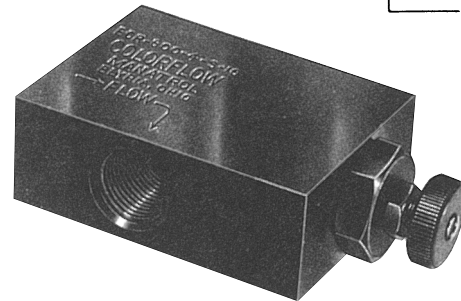
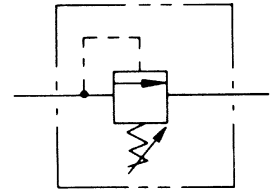
# Series ECR Adjustable Check Valves

These valves have an adjustable knob that allows the cracking pressure to be selected and locked at that rate by a jam nut. These valves allow flow in the one direction and prevent it in the other. The valves are mounted in-line in any position.

Four adjustment ranges are available to provide cracking pressures from 5 to 20 PSI, 15 to 60, 55 to 100, and 90 to 150 PSI.

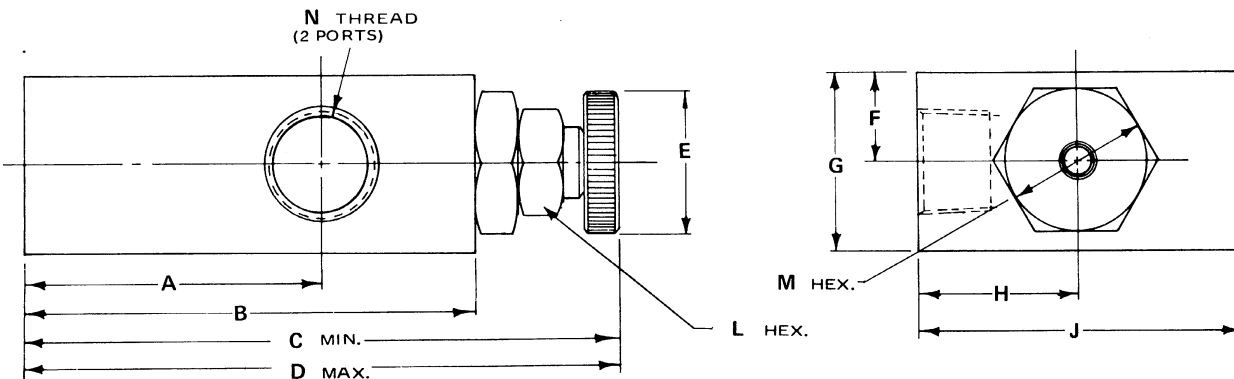
Maximum operating pressure:  
3000 PSI (210 Bar)

Material: Steel



## Flow Rates

Model Number	Port Size, in. NPTF	Flow, Max. GPM (L/M)
ECR400S	1/4"	6 (23)
ECR600S	3/8"	8 (30)
ECR800S	1/2"	12 (45)
ECR1200S	3/4"	27 (100)



## Quick Reference Data Chart

VALVE MODEL	A	B	C	D	E	F	G	H	J	L	M	N THREAD	WEIGHT LB. (Kg)
ECR400S	1.00 (25.4)	2.50 (63.5)	3.24 (82.3)	3.56 (90.4)	.75 (19.1)	.43 (10.9)	.87 (22.1)	.87 (22.1)	1.75 (44.5)	.50 (12.7)	.68 (17.3)	1/4 — 18 NPTF	1.1 (0.5)
ECR600S	1.78 (45.2)	2.75 (69.9)	3.63 (92.2)	3.96 (100.6)	.75 (19.1)	.50 (12.7)	1.00 (25.4)	1.00 (25.4)	2.00 (50.8)	.75 (19.1)	.87 (22.1)	3/8 — 18 NPTF	1.5 (0.7)
ECR800S	2.15 (54.6)	3.18 (80.8)	4.07 (103.3)	4.44 (112.8)	1.00 (25.4)	.62 (15.7)	1.25 (31.8)	1.12 (28.4)	2.25 (57.2)	.75 (19.1)	1.00 (25.4)	1/2 — 14 NPTF	2.4 (1)
ECR1200S	2.68 (68.1)	4.09 (103.9)	5.20 (132.1)	5.64 (143.3)	1.25 (31.8)	.87 (22.1)	1.75 (44.5)	1.37 (34.8)	2.75 (69.9)	.93 (23.6)	1.25 (31.8)	3/4 — 14 NPTF	5.2 (2.5)

repcat-l.p65, dd, fn

## Ordering Information

### Series ECR

### Adjustable Check Valves

Example: "ECR600S4" means Model ECR, Size 600 (3/8" ports), steel, cracking range 4 (15-60 PSI), Standard seals.

