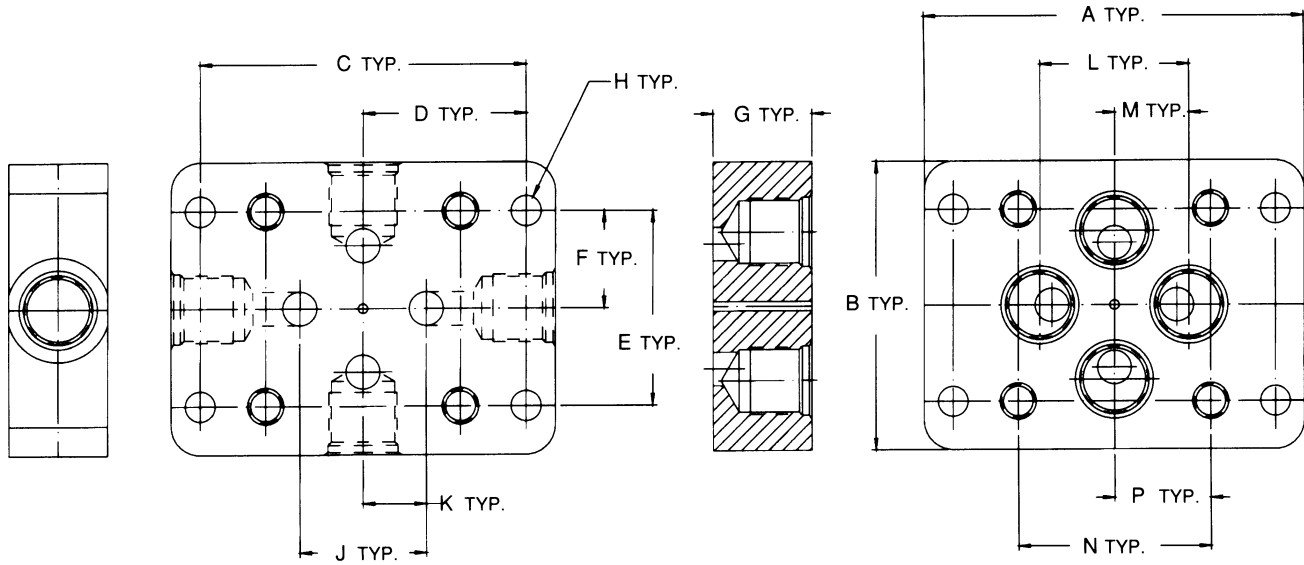


### Features

- Manufactured in steel.
- Quickly and simply attached to valve unit.
- May be mounted during your product's assembly.

### Dimensions



**821 Side Porting**  
(Top of Plate Shown)

**822 Bottom Porting**  
(Bottom of Plate Shown)

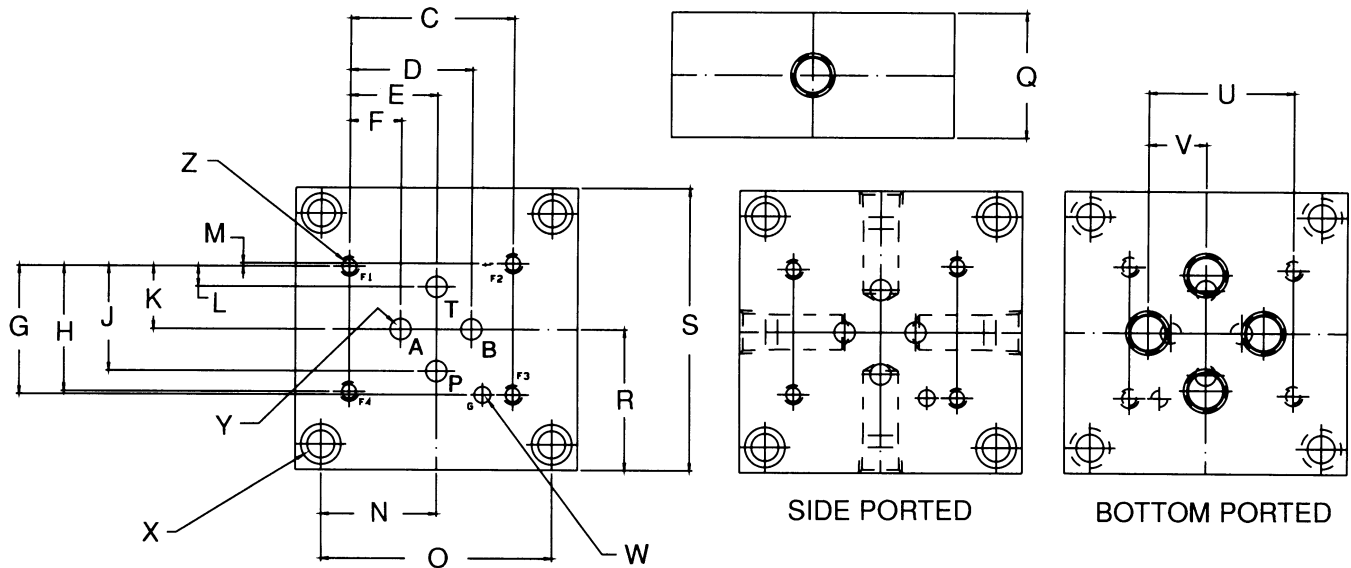
Valve		Sub-Plate Porting		All Dimensions are in Inches														Sub-Plate	Valve Mounting Bolt		
Series	Size	Pipe	Tube	SAE	A	B	C	D	E	F	G	H	J	K	L	M	N	P	Approx. Weight	Size	Torque
8000 E & C	6	1/4	6	6	4 1/8	3	3 1/2	1 3/4	2 1/8	1 1/16	1 1/8	.323	1 1/8	9/16	1 7/16	23/32	2 1/8	1 1/16	2lb. 8oz.	7/16 -20NF2	700 In.#
	10	1/2	10	10	4 15/16	3 3/4	4 3/16	2 3/32	2 1/2	1 1/4	1 9/32	.386	1 5/8	13/16	1 15/16	31/32	2 1/2	1 1/4	4lb. 7oz.	7/16 -20NF2	700 In.#
	16	1	16	16	6 5/16	5	5 5/16	2 21/32	3 3/16	1 19/32	1 7/8	.515	2 11/32	1 11/64	2 3/4	1 3/8	3 3/16	1 19/32	11lb. 4oz.	1/2 -20NF2	1370 In.#
	24	1-1/2	24	24	12	7 1/2	9 1/4	4 5/8	5 5/16	2 21/32	2 3/4	.29	3 7/8	1 15/16	4 1/4	2 1/8	5 5/16	2 21/32	54lb.	7/8 -9UNC-2B	5400 In.#
8100 E & C	6	1/4	6	6	4 1/8	3	3 1/2	1 3/4	2 1/8	1 1/16	1 1/8	.323	1 1/8	9/16	1 7/16	23/32	2 1/8	1 1/16	2lb. 8oz.	7/16 -20NF2	865 In.#
	10	1/2	10	10	4 15/16	3 3/4	4 3/16	2 3/32	2 1/2	1 1/4	1 9/32	.386	1 1/8	9/16	1 15/16	31/32	2 1/2	1 1/4	4lb. 7oz.	7/16 -20NF2	865 In.#
	16	1	16	16	6 5/16	5	5 5/16	2 21/32	3 3/16	1 19/32	1 7/8	.515	1 5/8	13/16	2 3/4	1 3/8	3 3/16	1 19/32	11lb. 4oz.	5/8 -18NF2	3250 In.#
	24	1-1/2	24	24	12	7 1/2	9 1/4	4 5/8	5 5/16	2 21/32	2 3/4	.29	3 7/8	1 15/16	3 3/4	1 7/8	5 5/16	2 21/32	54lb.	7/8 -9UNC-2B	5400 In.#

Maximum Valve Pressure	Lo-Torq Valve Type	Valve Size Sub-Plate Number	Sub-Plate Complete Ordering Part Number					
			Side-Porting			Bottom-Porting		
			SAE	NPT	IST	SAE	NPT	IST
3000 PSI	E Style	4	821-1-106	821-1-1/4	821-1-6	822-1-106	822-1-1/4	822-1-6
		6	821-3-110	821-3-1/2	821-3-10	822-3-110	822-3-1/2	822-3-10
		16	821-5-116	821-5-1	821-5-16	822-5-116	822-5-1	822-5-16
8000 E & C	C Style	24	821-7-124	821-7-1 1/2	821-7-24	822-7-124	822-7-1 1/2	822-7-24
		6	821-1-106	821-1-1/4	821-1-6	822-1-106	822-1-1/4	822-1-6
6000 PSI	E Style	10	821-2-110	821-2-1/2	821-2-10	822-2-110	822-2-1/2	822-2-10
		16	821-4-116	821-4-1	821-4-16	822-4-116	822-4-1	822-4-16
8100 E & C	C Style	24	821-6-124	821-6-1 1/2	821-6-24	822-6-124	822-6-1 1/2	822-6-24

### Features

- Manufactured in steel.
- Quickly and simply attached to valve unit.
- May be mounted during your product's assembly.

### Dimensions



C	D	E	F	G	H	J	K	L	M	N	O	R	S	Q	U	V	W	X	Y	Z
1.594	1.190	0.850	0.500	1.250	1.220	1.020	0.610	0.200	0.030	1 1/8	2 1/4	1 3/8	2 3/4	1 17/32	1 1/8	9/16	.16 Dia.	17/64 Thru 25/64 C-Bore	.250 Dia. Maximum	10-24 UNC-2B 4 Places

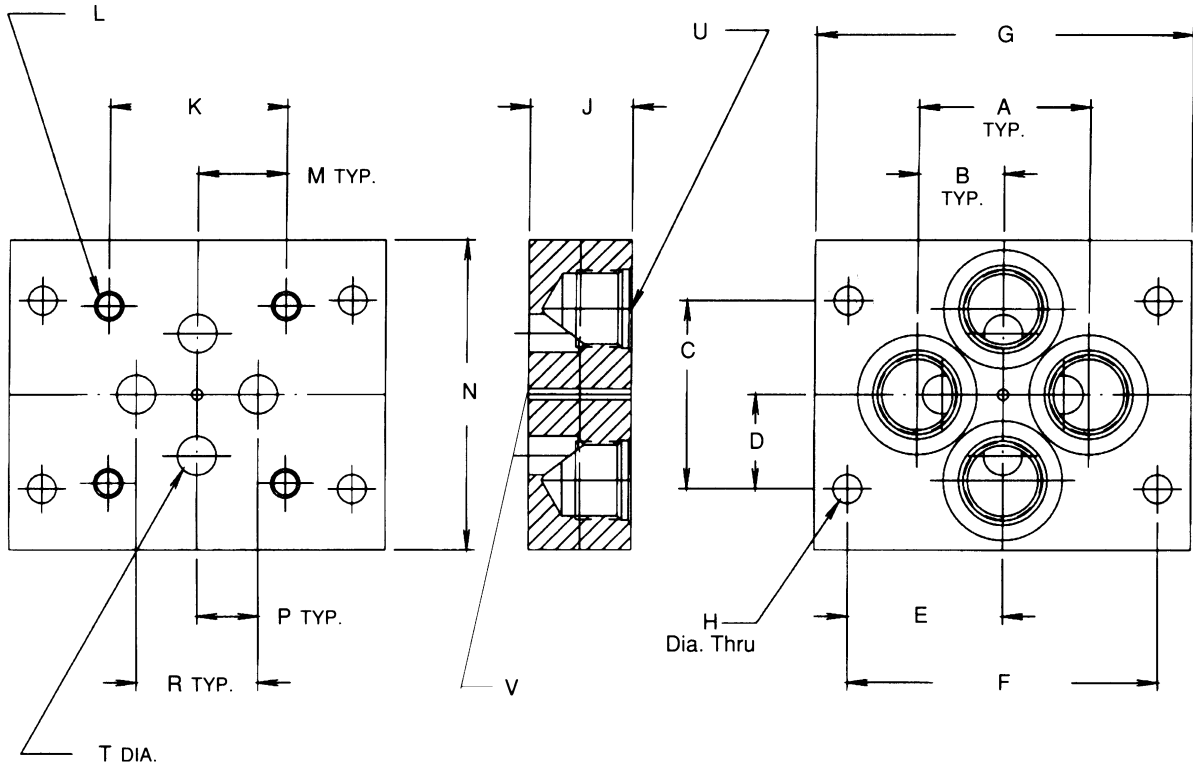
Note:  
Recommended bolt torque, 66 inch lbs.  
use #10-24 NF soc. hd. cap screw  
grade 8 or better.

Maximum Valve Pressure	Valve Type	Sub-Plate Valve Size	Port Size			Sub-Plate Complete Ordering Part Number					
			SAE	IST	Pipe	Side-Porting			Bottom-Porting		
						SAE	IST	NPT	SAE	IST	NPT
3000 PSI	8400E	6	#4	4	1/4	833-2-104	833-2-4	833-2-1/4	834-2-104	834-2-4	834-2-1/4
3000 PSI	8400E	6	#6	6	3/8	833-2-106	833-2-6	833-2-3/8	834-2-106	834-2-6	834-2-3/8

### Features

- Manufactured in steel.
- Quickly and simply attached to valve unit.
- May be mounted during your product's assembly.

### Dimensions



A	B	C	D	E	F	G	H	J	K	L	M	N	P	R	T	U	V
1.937	0.968	2.125	1.062	1.750	3.500	4 1/4	.323 Dia. Thru	1 5/32	2.000	5/16 24-UNF-2B 4 Places	1.00	3 1/2	0.687	1.375	7/16 Dia.	1/2 NPT	1/8 Dia.

Note:  
Recommended bolt torque, 325 inch lbs.  
use 5/16-24 nf soc. hd. cap screw  
grade 8 or better.

Maximum Valve Pressure	Valve Type	Sub-Plate Valve Size & Dash No.	Size & Type Ports Pipe	Complete Ordering No.	
				Side	Bottom
				NPT	NPT
3000 PSI	8500E	10	1/2	—	824-2-1/2