

**A****Application**

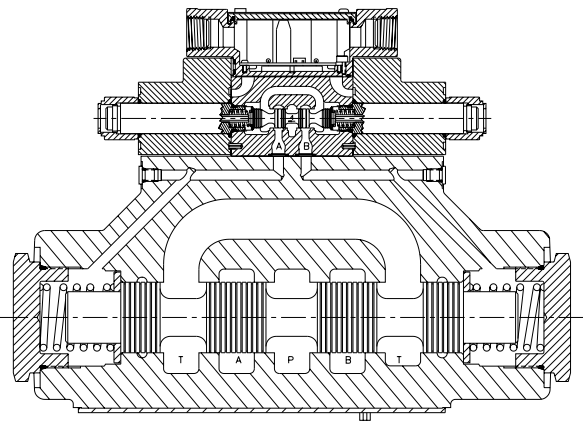
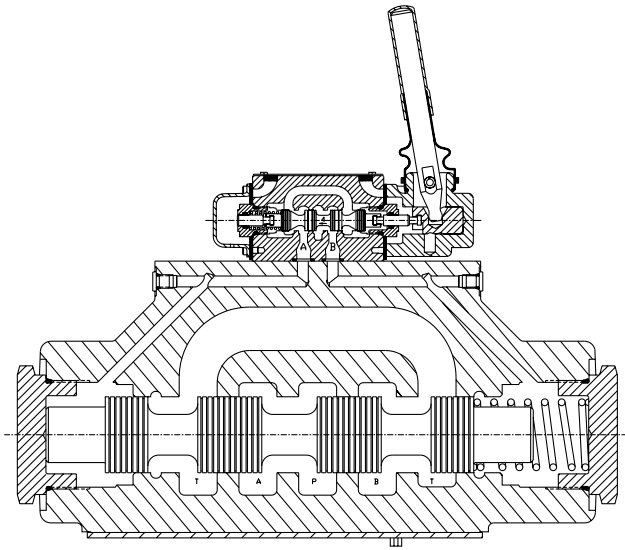
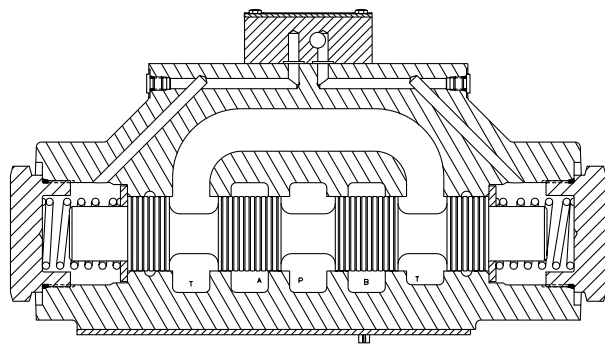
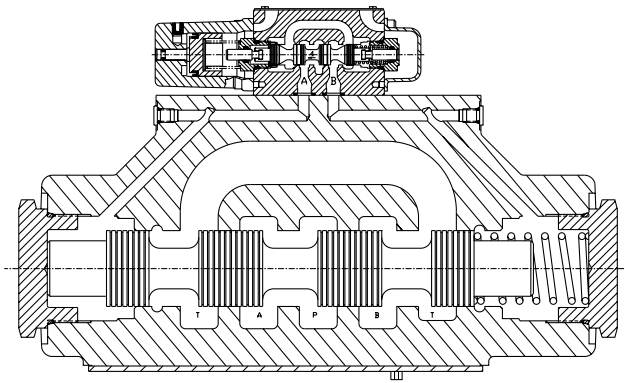
Parker D101 series hydraulic directional control valves are high performance, solenoid controlled, pilot operated, two-stage, 4-way valves. They are available in 2 or 3 position styles and are manifold mounted. These valves conform to NFPA's D10/CETOP 10 mounting pattern.

**Operation**

Parker's D101 series directional valves consist of a five chamber style main body, a case hardened sliding spool, and a pilot valve or pilot operators (hydraulic or pneumatic).

**Features**

- Easy access mounting bolts.
- 210 Bar (3000 PSI) pressure rating.
- Flows to 950 L/M (250 GPM) depending on spool.
- Choice of four operator styles.
- Rugged four land spools.
- Low pressure drop.
- Phosphate finish.

**D101VW Solenoid Operated Conduit Box Style****D101VL Lever Operated****D101P Oil Pilot Operated****D101VA Air Pilot Operated**

**General Description**

The D10P is a five-chamber, pilot operated, directional control valve. It is available in 2 or 3-position styles. They are manifold or subplate mounted valves which conform to NFPA's D10/CETOP 10 mounting pattern.

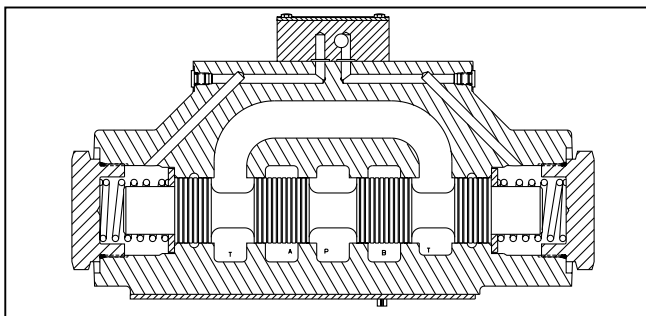
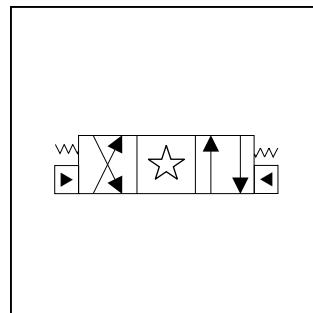
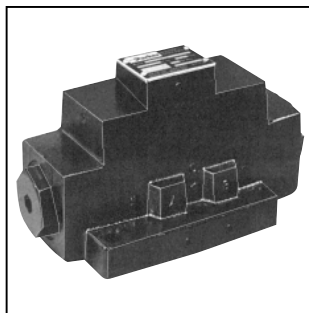
**Features**

- Low pressure drop design.
- Hardened spools provide long life.

**Specifications**

<b>Mounting Pattern</b>	NFPA D10, CETOP 10, NG32
<b>Max. Operating Pressure</b>	207 Bar (3000 PSI)
<b>Max. Tank Line Pressure</b>	207 Bar (3000 PSI)
<b>Max. Drain Pressure</b>	207 Bar (3000 PSI)
<b>Min. Pilot Pressure</b>	4.4 Bar (65 PSI)
<b>Max. Pilot Pressure</b>	207 Bar (3000 PSI)
<b>Nominal Flow</b>	378 Liters/Min (100 GPM)
<b>Maximum Flow</b>	See Quick Reference Chart

For flow path, pilot drain and pilot pressure details, see Installation Information.



**Response Time**

Response time will vary with pilot line size, pilot line length, pilot pressure shift time and flow capacity of the control valve.

**Shift Volume**

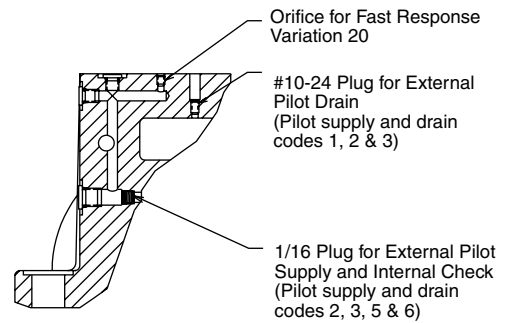
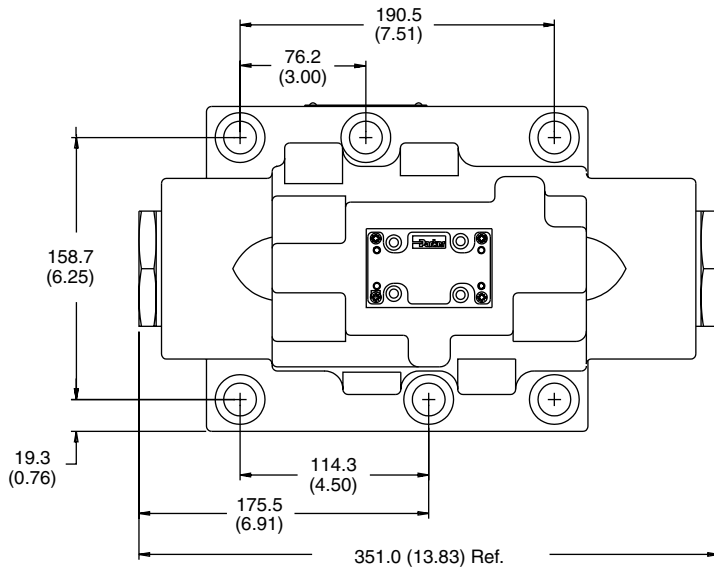
The pilot chamber requires a volume of 1.51 in<sup>3</sup> (24.75 cc) for center to end.

**Ordering Information**

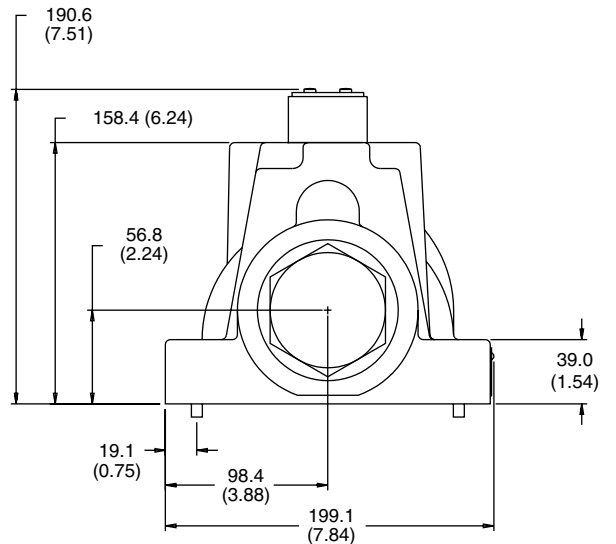
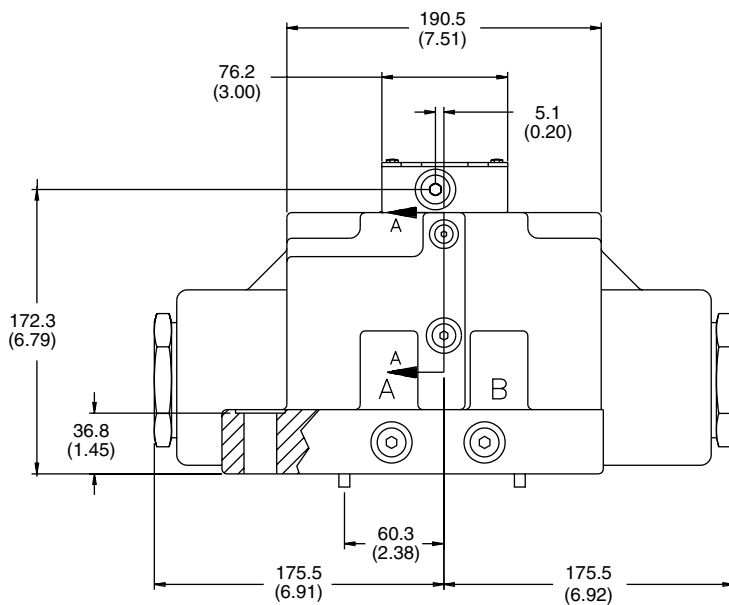
<div style="border: 1px solid black; padding: 2px; width: 30px; margin: 0 auto;">D</div> <p>Directional Control Valve</p>	<div style="border: 1px solid black; padding: 2px; width: 30px; margin: 0 auto;">10</div> <p>Basic Valve</p>	<div style="border: 1px solid black; padding: 2px; width: 30px; margin: 0 auto;">P</div> <p>Actuator</p>	<div style="border: 1px solid black; padding: 2px; width: 30px; margin: 0 auto;">□</div> <p>Spool</p>	<div style="border: 1px solid black; padding: 2px; width: 30px; margin: 0 auto;">□</div> <p>Style</p>	<div style="border: 1px solid black; padding: 2px; width: 30px; margin: 0 auto;">□</div> <p>Pilot Supply and Drain</p>	<div style="border: 1px solid black; padding: 2px; width: 30px; margin: 0 auto;">□</div> <p>Seal Compound</p>	<div style="border: 1px solid black; padding: 2px; width: 30px; margin: 0 auto;">□</div> <p>Variations</p>	<div style="border: 1px solid black; padding: 2px; width: 30px; margin: 0 auto;">□ □</div> <p>Design Series</p>																															
<div style="border: 1px solid black; padding: 5px; width: fit-content; margin: 0 auto;">                 NFPA D10 CETOP 10             </div>		<div style="border: 1px solid black; padding: 5px; width: fit-content; margin: 0 auto;"> <table border="1"> <thead> <tr> <th>Code</th> <th>Description</th> </tr> </thead> <tbody> <tr> <td>P</td> <td>Oil Operator</td> </tr> </tbody> </table> </div>		Code	Description	P	Oil Operator	<div style="border: 1px solid black; padding: 5px; width: fit-content; margin: 0 auto;"> <table border="1"> <thead> <tr> <th>Code</th> <th>Type</th> </tr> </thead> <tbody> <tr> <td>N</td> <td>Nitrile</td> </tr> <tr> <td>V</td> <td>Fluorocarbon</td> </tr> </tbody> </table> </div>		Code	Type	N	Nitrile	V	Fluorocarbon	<div style="border: 1px solid black; padding: 5px; width: fit-content; margin: 0 auto;"> <table border="1"> <thead> <tr> <th>Code</th> <th>Description</th> </tr> </thead> <tbody> <tr> <td>7</td> <td>Choke</td> </tr> <tr> <td>8</td> <td>Stroke adj. 'B'</td> </tr> <tr> <td>9</td> <td>Stroke adj. 'A'</td> </tr> <tr> <td>20</td> <td>Fast response</td> </tr> <tr> <td>89</td> <td>Stroke adj. 'A' &amp; 'B'</td> </tr> </tbody> </table> </div>		Code	Description	7	Choke	8	Stroke adj. 'B'	9	Stroke adj. 'A'	20	Fast response	89	Stroke adj. 'A' & 'B'	<p>NOTE: Not required when ordering.</p>									
Code	Description																																						
P	Oil Operator																																						
Code	Type																																						
N	Nitrile																																						
V	Fluorocarbon																																						
Code	Description																																						
7	Choke																																						
8	Stroke adj. 'B'																																						
9	Stroke adj. 'A'																																						
20	Fast response																																						
89	Stroke adj. 'A' & 'B'																																						
<p>Valve schematic symbols are per NFPA/ANSI standards, providing flow P to A when energizing operator X. Note operators reverse sides on #8 and #9 spools. See installation information for details.</p>		<div style="border: 1px solid black; padding: 5px;"> <table border="1"> <thead> <tr> <th>Code</th> <th>Symbol</th> </tr> </thead> <tbody> <tr> <td>1</td> <td></td> </tr> <tr> <td>2</td> <td></td> </tr> <tr> <td>4</td> <td></td> </tr> <tr> <td>8*</td> <td></td> </tr> <tr> <td>9**</td> <td></td> </tr> <tr> <td>11</td> <td></td> </tr> </tbody> </table> </div>		Code	Symbol	1		2		4		8*		9**		11		<div style="border: 1px solid black; padding: 5px;"> <table border="1"> <thead> <tr> <th>Code</th> <th>Description</th> </tr> </thead> <tbody> <tr> <td>2</td> <td>External — External</td> </tr> <tr> <td>5#</td> <td>External — Internal</td> </tr> </tbody> </table> <p># Available in 'B' style only.</p> </div>		Code	Description	2	External — External	5#	External — Internal	<div style="border: 1px solid black; padding: 5px;"> <table border="1"> <thead> <tr> <th>Code</th> <th>Description</th> <th>Symbol</th> </tr> </thead> <tbody> <tr> <td>B†</td> <td>Sgl. solenoid, 2 position, spring offset. P to A and B to T in offset position.</td> <td></td> </tr> <tr> <td>C</td> <td>Dbl. solenoid, 3 position, spring centered.</td> <td></td> </tr> <tr> <td>H†</td> <td>Sgl. solenoid, 2 position, spring offset. P to B and A to T in offset position.</td> <td></td> </tr> </tbody> </table> </div>		Code	Description	Symbol	B†	Sgl. solenoid, 2 position, spring offset. P to A and B to T in offset position.		C	Dbl. solenoid, 3 position, spring centered.		H†	Sgl. solenoid, 2 position, spring offset. P to B and A to T in offset position.	
Code	Symbol																																						
1																																							
2																																							
4																																							
8*																																							
9**																																							
11																																							
Code	Description																																						
2	External — External																																						
5#	External — Internal																																						
Code	Description	Symbol																																					
B†	Sgl. solenoid, 2 position, spring offset. P to A and B to T in offset position.																																						
C	Dbl. solenoid, 3 position, spring centered.																																						
H†	Sgl. solenoid, 2 position, spring offset. P to B and A to T in offset position.																																						
		<p>* 8 spool has closed crossover.                  ** 9 spool has open crossover.</p>		<p>† Available with 1, 2, 4 &amp; 11 spools only.</p>		<div style="border: 1px solid black; padding: 5px; width: fit-content; margin: 0 auto;"> <table border="1"> <thead> <tr> <th>Code</th> <th>Description</th> </tr> </thead> <tbody> <tr> <td>□ □</td> <td>This condition varies with spool code.</td> </tr> </tbody> </table> </div>		Code	Description	□ □	This condition varies with spool code.																												
Code	Description																																						
□ □	This condition varies with spool code.																																						

Inch equivalents for millimeter dimensions are shown in (\*\*)

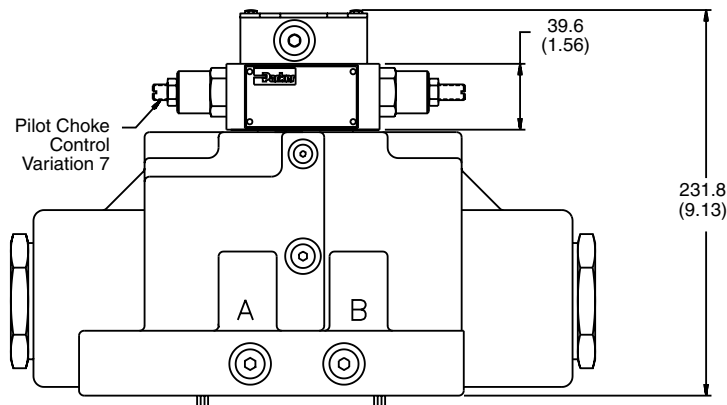
**Standard Pilot Operated**



Section A-A



**Pilot Operated with Pilot Choke Control**



**A**

FOR MAXIMUM VALVE RELIABILITY, ADHERE TO THE FOLLOWING INSTALLATION INFORMATION.

The following is important installation information which applies to all directional control valves described in this catalog.

**Mounting Position**

Detent – Horizontal  
Spring Offset – Unrestricted  
Spring Centered – Unrestricted

**Fluid Recommendations**

Premium quality hydraulic oil with a viscosity range between 150-250 SSU (32-54 cst.) At 100°F (38°C) is recommended. The absolute operating viscosity range is from 80-1000 SSU (16-220 cst.). Oil should have maximum anti-wear properties and rust and oxidation treatment.

**Fluids and Seals**

Valves using synthetic, fire-resistant fluids require special seals. When phosphate esters or its blends are used, FLUOROCARBON seals are required. Water-glycol, water-in-oil emulsions and petroleum oil may be used with STANDARD seals.

**Filtration**

For maximum valve and system component life, the system should be protected from contamination at a level not to exceed 125 particles greater than 10 microns per milliliter of fluid (SAE class 4/ISO 16/13).

**Silting**

Silting can cause any sliding spool valve to stick and not spring return if held under pressure for long periods of time. The valve should be cycled periodically to prevent sticking.

**Special Installations**

Consult your Parker representative for any application requiring the following:

- Pressure above rating
- Fluid other than those specified
- Oil temperature above 160°F (71.1°C)
- Flow path other than normal.

**Mounting Patterns**

Series	NFPA	Size
D101V*, D10P	D10	1-1/4"

**Torque Specifications**

The recommended torque values for the bolts which mount the valve to the manifold or subplate are as follows: 406.8 Nm (300 ft-lbs).



**Series D101VW, D101VA, D101VL**

**Tank and Drain Line Surges**

If several valves are piped with a common tank or drain line, flow surges in the line may cause an unexpected spool shift. Detent style valves are most susceptible to this. Separate tank and drain lines should be piped in installations where line surges are expected.

**Electrical Characteristics (Detented Spool)**

Only a momentary energizing of the solenoid is necessary to shift and hold a detented spool. Minimum duration of the signal is 0.1 seconds for both AC and DC voltages. Spool position will be held provided the spool centerline is in a horizontal plane, and not shock or vibration is present to displace the spool.

**Electrical Failure or Loss of Pilot Pressure (D101VA)**

Should electric power fail or loss of pilot pressure occur, spring offset and spring centered valves will shift to the spring held position. Detented valves will stay in the last position held before power failure. If main flow does not fail or stop at the same time power fails, machine actuators may continue to function in an undesirable manner or sequence.

**Pilot/Drain Characteristics**

**Pilot Pressure:** 65 to 3000 PSI (4.4 to 207 Bar)

**External:** An oil source sufficient to maintain minimum pilot pressure must be connected to the "X" port of the main body. When using the external pilot variation, a 1/16" pipe plug must be present in the main body pilot passage. (For details see Dimension pages.) This plug will be furnished in valves ordered with pilot code 2, 3, 5 or 6.

**Internal:** Flow is internally ported from the pressure port of the main valve body to the "P" port of the pilot valve. The pressure developed at the "P" port of the pilot valve must be 65 PSI (4.4 Bar) minimum at all times.

**Integral Check:** Valves using internal pilot and internal drain with an open center spool (spools 2, 7, 8 & 9) can be ordered with an integral check valve in the pressure port of the main valve codes 3 & 6. Pilot oil will be internally ported from the upstream side of this check to the "P" port of the pilot valve, ensuring sufficient pilot pressure. A 1/16" pipe plug will be present in the main body. The "X" port in the subplate must be plugged when using the integral check.

**Pilot Valve Drain:** Maximum pressure 1500 PSI (102 Bar), 3000 PSI (207 Bar) optional.

**External:** When using an external drain, a 10 x 24 x 0.31 long set screw must be present in the main body drain passage. (For details see Dimension pages.) This plug will be furnished in valves ordered with drain code 1, 2 or 3.

Drain flow from the pilot valve is at the "Y" port of the main body and must be piped directly to tank. Maximum drain line pressure is 1500 PSI (102 Bar), 3000 PSI (207 Bar) optional. Any drain line back pressure is additive to the pilot pressure requirement.

**Internal:** Drain flow from the pilot valve is internally connected to the main valve tank port. Tank and drain pressure are then identical so tank line pressure should not exceed 1500 PSI (102 Bar), 3000 PSI (207 Bar) optional. Any tank line back pressure is also additive to the pilot pressure requirement. If flow surges (a cause of pressure surges) are anticipated in the tank line, an external drain variation is recommended. The "Y" port in the subplate must be plugged when using an internal drain.

**D101V\* Flow Paths**

Style Code	Description	No Solenoid/Operator Energized	Solenoid/Operator A Energized	Solenoid/Operator B Energized
B	Spring Offset	P→A and B→T	—	P→B and A→T
C	Spring Centered	Centered	P→A and B→T	P→B and A→T
D	Detented	Last Position Held	P→A and B→T	P→B and A→T
E	Spring Centered	Centered	—	P→B and A→T
F†	Spring Offset, Shift to Center	P→A and B→T	—	Centered
H	Spring Offset	P→B and A→T	P→A and B→T	—
K	Spring Centered	Centered	P→A and B→T	—
M†	Spring Offset, Shift to Center	P→B and A→T	Centered	—

† D101VW only.

**Series D10P**

**Tank and Drain Line Surges**

If several valves are piped with a common tank or drain line, flow surges in the line may cause an unexpected spool shift. Detent style valves are most susceptible to this. Separate tank and drain lines should be piped in installations where line surges are expected.

**Loss of Pilot Pressure**

Should a loss of pilot pressure occur, spring offset and spring centered valves will shift to the spring held position. No spring valves will stay in the last position held. If main hydraulic flow does simultaneously stop, machine actuators may continue to function in an undesirable manner or sequence.

**Pilot Drain Characteristics**

**Pilot Pressure:**

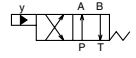
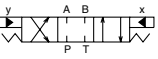
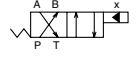
65 to 3000 PSI (4.4 to 207 Bar)

Direct pilot operated valves use the "X" and "Y" ports to supply pilot oil directly to the ends of the spool, providing spool shifting force. A block mounted on top of the valve body is internally cored to make the necessary connections. Thus when "X" is pressurized, "Y" is used as a drain; and when "Y" is pressurized, "X" becomes the drain.

Any back pressure in these lines when they are being used as a drain is additive to the pilot pressure requirement.

**Internal Drain:** On spring offset models, only the "X" port is pressurized, as the spring returns the spool to its at rest position. On these models, "Y" may be internally drained through the main tank passage in the valve.

**Flow Path/Pilot Pressure**

Style Code	Description	"X" & "Y" De-Pressurized	"X" Port Pressurized	"Y" Port Pressurized	Special Notes	Recommended Control Valve For Pilot Oil
B	Two Position Spring Offset	P→A, B→T	P→A, B→T	P→B, A→T	"X" Port may be pressurized to assist spring in returning spool to offset position (ext. only)	
C	Three Position Spring Centered	Center	P→A, B→T	P→B, A→T	Flow paths will be reversed on valves with tandem center (8 & 9) spools	
H	Two-Position Spring Offset	P→B, A→T	P→A, B→T	P→B, A→T	"Y" Port may be pressurized to assist spring in returning spool to offset position	

**Subplate Mounting**

**NFPA D10, CETOP 10 & NG 32**



**Recommended Mounting Surface**

Surface must be flat within .102 mm (0.0004 inch) T.I.R and smooth within 812.8 micro-meters (32 micro-inch). Torque bolts to 406.8 Nm (300 ft-lbs).

***For maximum valve reliability, adhere to the following installation information.***

**Mounting Position**

Valve Type	Mounting Position
Detent (Solenoid)	Horizontal
Spring Offset	Unrestricted
Spring Centered	Unrestricted

**Mounting Pattern**

Inch equivalents for millimeter dimensions are shown in (\*\*)

