

General Description

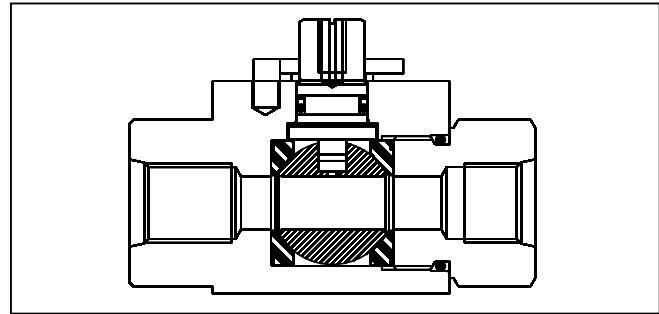
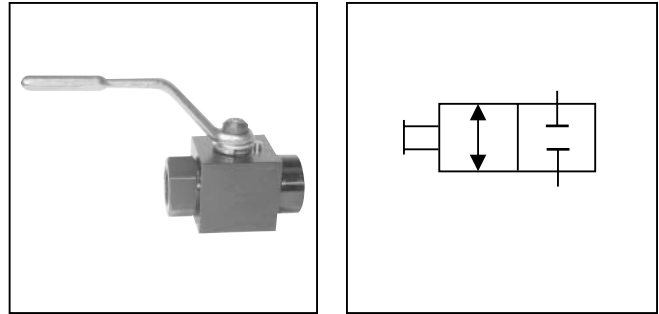
Series BVHP valves are used for shut-off applications and are rated at 414 Bar (6000 PSI). The wide variety of porting options plus the wide range of accessories make the BVHP the choice for high pressure systems with ports up to 1".

Operation

Parker's 2-way ball valves operate to either off or full flow by rotating the handle 90°. Ball valves are not designed to be a metering or flow control device.

Specifications

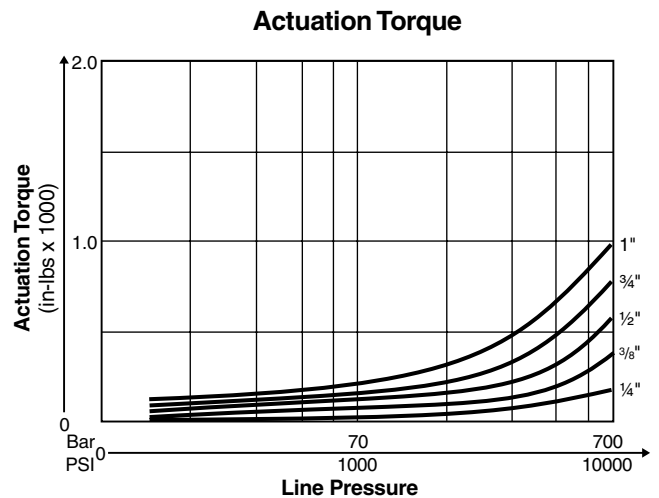
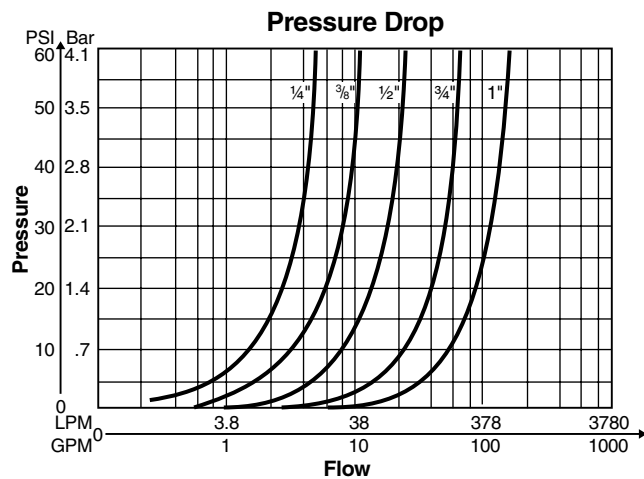
Maximum Pressure	414 Bar (6000 PSI)
Body Material	Carbon Steel, Black Oxide, Stainless Steel
Ball Material	Steel, Chrome Plated, Stainless Steel
Stem Material	Steel, Zinc Plated, Stainless Steel
Standard Handle	Steel Offset, Nickel Plated
Ball Seals	Delrin + MoS ₂
Spindle Seals	O-Ring & Backup, Nitrile
Operating Temperature	-30°C to +100°C (-22°F to +212°F)

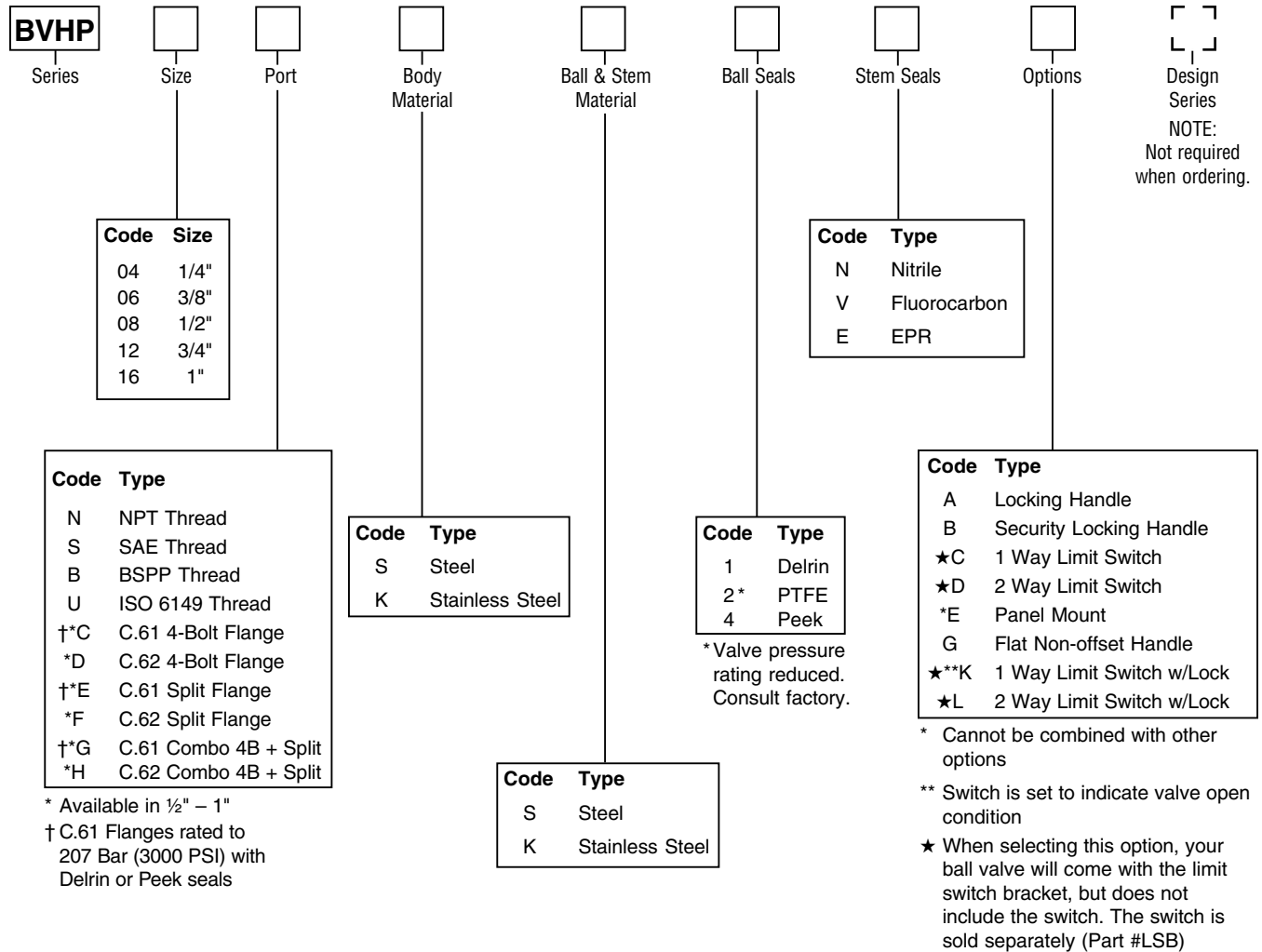


Features

- The use of nylon thrust bearings and synthetic lube packing reduces the actuation torque and helps prevent valve seizures even after long term exposure.
- Delrin™ seals with molybdenum disulphide (MoS₂) results in lower actuation torque and will increase high duty life cycle expectancy.
- BVHP products are full ported, which means an unrestricted bore which results in C_v and ΔP closely approximating a like length section of fluid line.
- Code 61 and 62 rotating flange design allows easy alignment with mating flanges.
- Limit switch is NEMA 4 with CSA/UL approval.

Performance Curves





ISO 6149-1 Port Dimensions (inches)

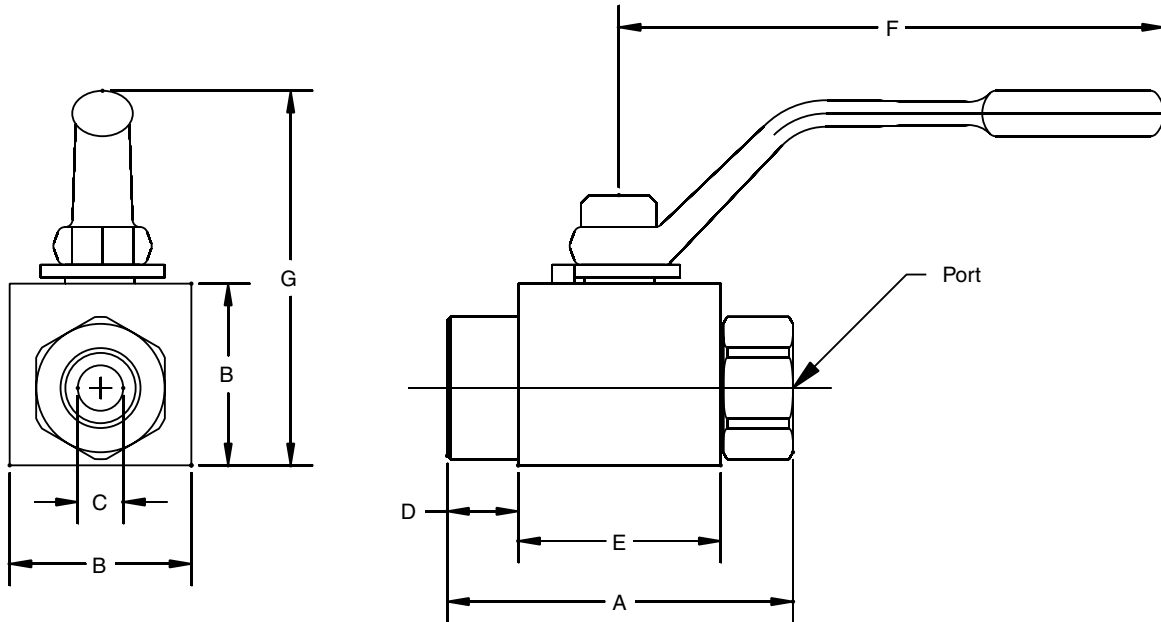
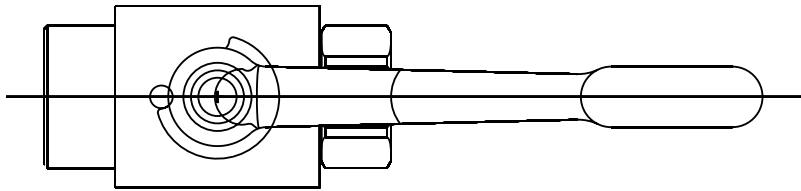
Size	Thread
04	M12 x 1.5
06	M16 x 1.5
08	M18 x 1.5
12	M27 x 2
16	M33 x 2
20	M42 x 2
24	M48 x 2
32	M60 x 2
40	M76 x 2
48	M90 x 2
64	M114 x 2

Replacement Handles Standard Steel Offset	
Series	Part Number
BVHP04	BVH-HS1
BVHP06	BVH-HS1
BVHP08	BVH-HS1
BVHP12	BVH-HS2
BVHP16	BVH-HS2

Weights

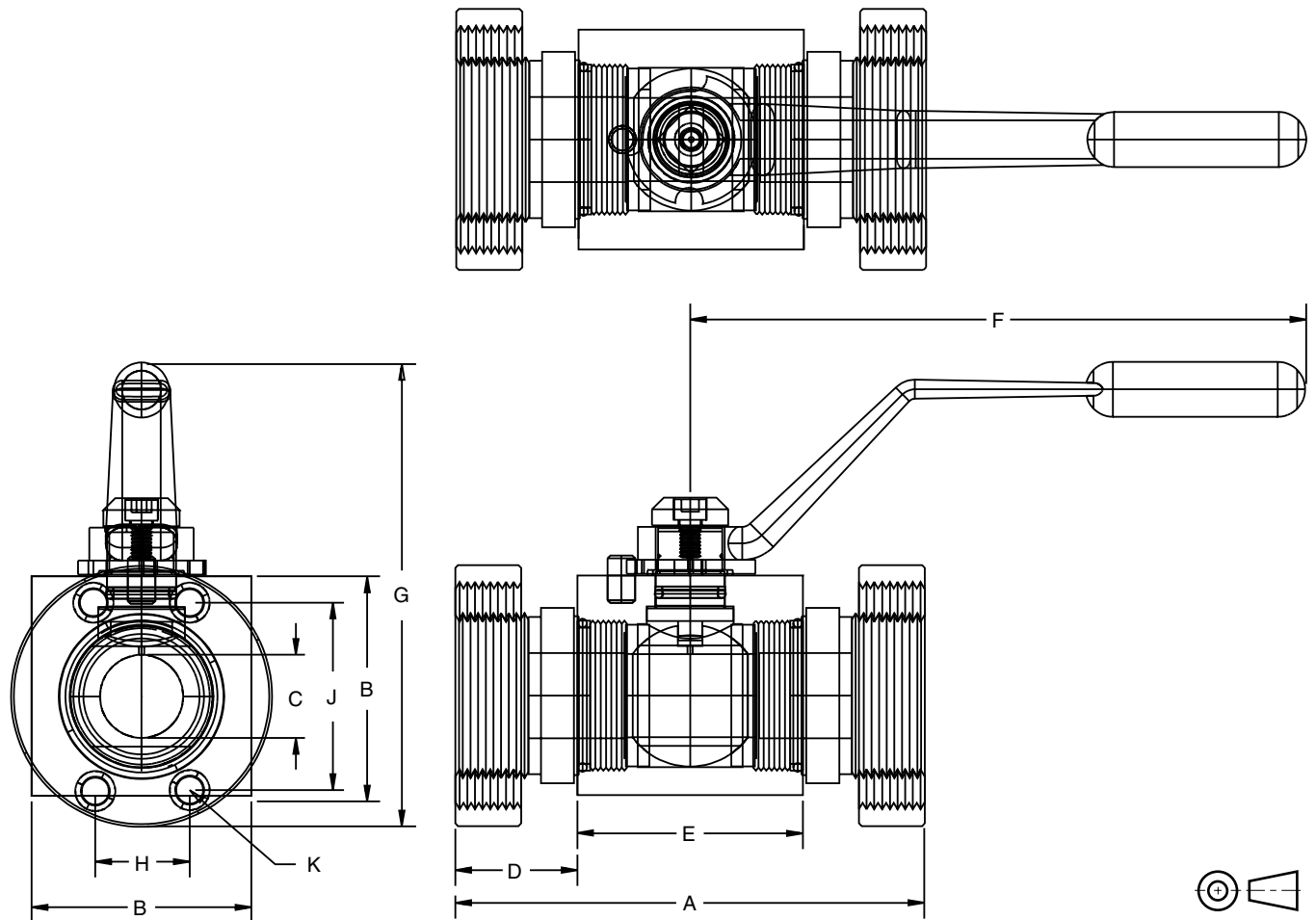
Code	Threaded kg (lbs.)	C.61, 3000 psi kg (lbs.)	C.62, 6000 psi kg (lbs.)
04	0.5 (1.0)	—	—
06	0.7 (1.5)	—	—
08	0.9 (2.0)	1.7 (3.5)	1.8 (3.9)
12	1.8 (4.0)	2.7 (6.0)	2.9 (6.4)
16	2.3 (5.0)	3.6 (8.0)	4.0 (8.8)

Threaded Ports



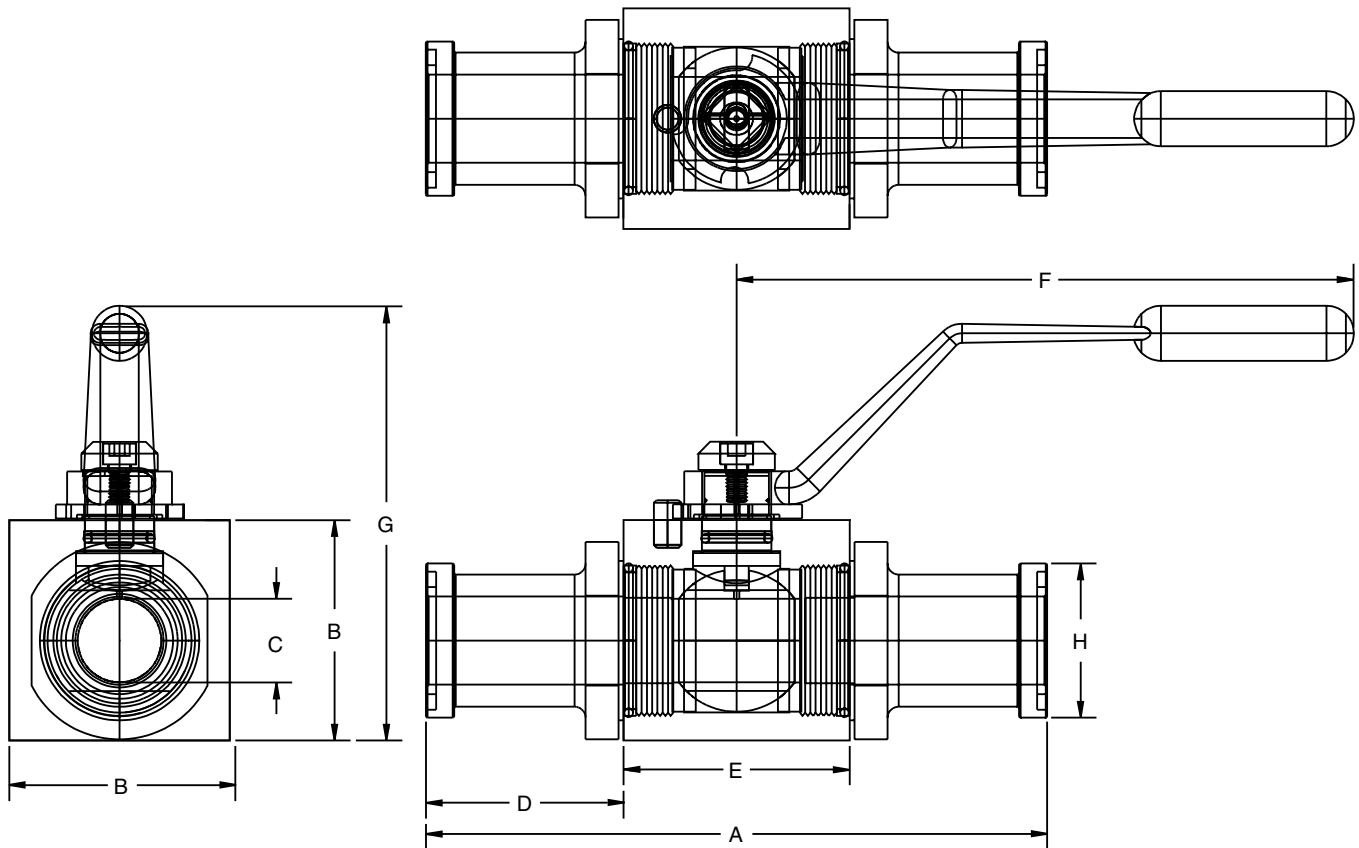
Code	Port Thread Size	Working Pressure	Dimensions mm (in)						
			A	B	C	D	E	F	G
NPT and SAE Thread									
04	1/4"	414 Bar (6000 PSI)	69.6 (2.74)	35.1 (1.38)	7.9 (0.31)	17.5 (0.69)	35.6 (1.40)	114.3 (4.50)	74.9 (2.95)
06	3/8"	414 Bar (6000 PSI)	72.9 (2.87)	38.1 (1.50)	9.7 (0.38)	14.2 (0.56)	42.4 (1.67)	114.3 (4.50)	78.7 (3.10)
08	1/2"	414 Bar (6000 PSI)	85.1 (3.35)	41.4 (1.63)	12.7 (0.50)	19.1 (0.75)	47.5 (1.87)	114.3 (4.50)	81.3 (3.20)
12	3/4"	414 Bar (6000 PSI)	95.0 (3.74)	57.2 (2.25)	19.1 (0.75)	17.5 (0.69)	61.5 (2.42)	177.8 (7.00)	119.4 (4.70)
16	1"	414 Bar (6000 PSI)	114.0 (4.49)	63.5 (2.50)	23.9 (0.94)	23.9 (0.94)	65.8 (2.59)	177.8 (7.00)	125.7 (4.95)

SAE 4-Bolt Flange



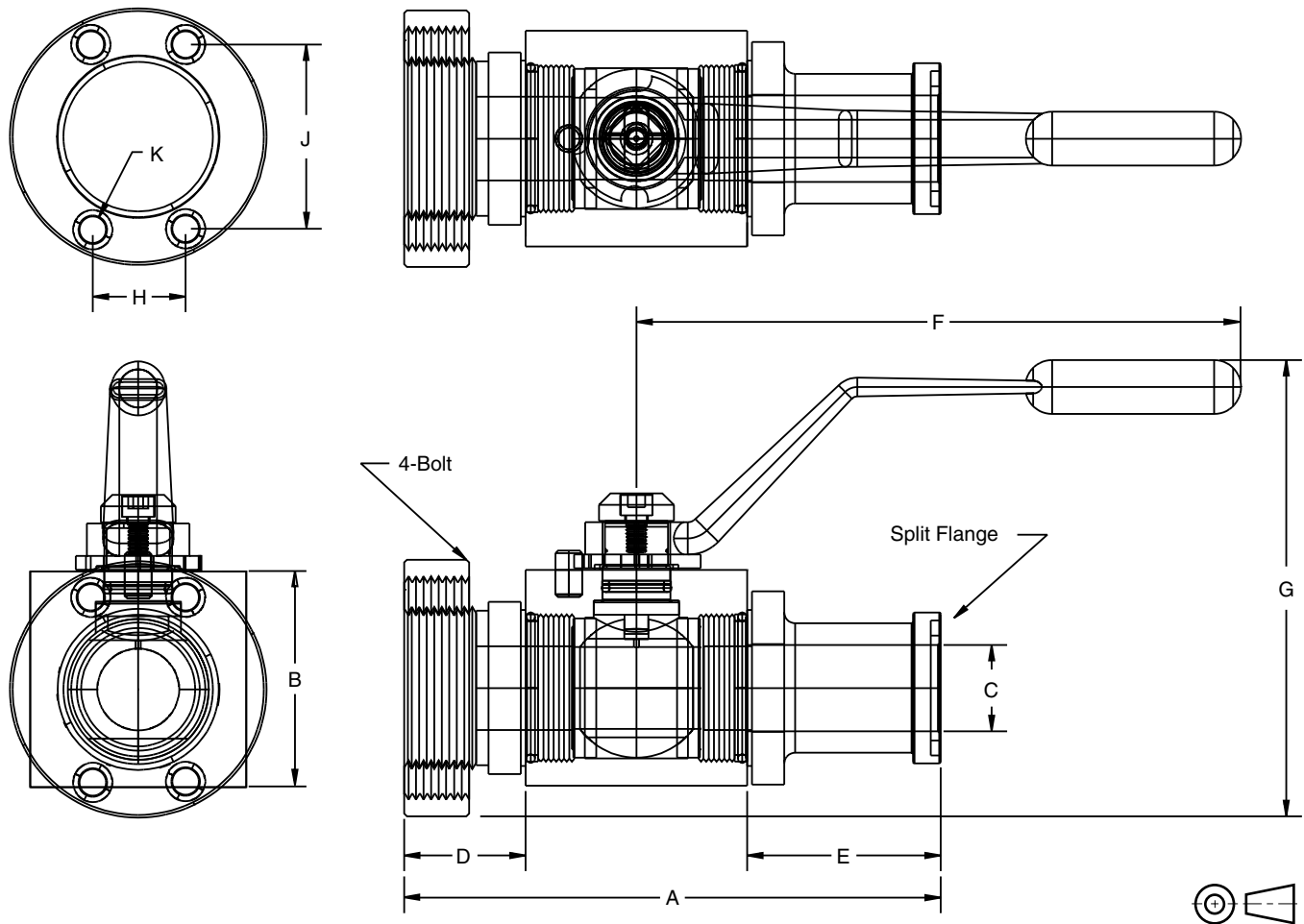
Code	Flange Size	Working Pressure	Dimensions mm (in)									
			A	B	C	D	E	F	G	H	J	K
SAE 4-Bolt C.61 Companion												
08	1/2"	207 Bar (3000 PSI)	105.7 (4.16)	41.4 (1.63)	13.0 (0.51)	29.5 (1.16)	47.0 (1.85)	114.3 (4.50)	82.0 (3.23)	17.5 (0.69)	38.1 (1.50)	5/16"-18 5/16"-18
12	3/4"	207 Bar (3000 PSI)	119.6 (4.71)	57.2 (2.25)	20.1 (0.79)	29.5 (1.16)	61.0 (2.40)	177.8 (7.00)	119.4 (4.70)	22.2 (0.88)	47.6 (1.88)	3/8"-16 3/8"-16
16	1"	207 Bar (3000 PSI)	129.8 (5.11)	63.5 (2.50)	24.9 (0.98)	32.3 (1.27)	65.3 (2.57)	177.8 (7.00)	125.7 (4.95)	26.2 (1.03)	52.6 (2.07)	3/8"-16 3/8"-16
SAE 4-Bolt C.62 Companion												
08	1/2"	414 Bar (6000 PSI)	105.7 (4.16)	41.4 (1.63)	13.0 (0.51)	29.5 (1.16)	47.0 (1.85)	114.3 (4.50)	82.0 (3.23)	18.3 (0.72)	40.4 (1.59)	5/16"-18 5/16"-18
12	3/4"	414 Bar (6000 PSI)	119.6 (4.71)	57.2 (2.25)	20.1 (0.79)	29.5 (1.16)	61.0 (2.40)	177.8 (7.00)	119.4 (4.70)	23.9 (0.94)	50.8 (2.00)	3/8"-16 3/8"-16
16	1"	414 Bar (6000 PSI)	129.8 (5.11)	63.5 (2.50)	24.9 (0.98)	32.3 (1.27)	65.3 (2.57)	177.8 (7.00)	125.7 (4.95)	27.8 (1.10)	57.1 (2.25)	7/16"-14 7/16"-14

SAE Split Flange



Code	SAE Split Flange Size	Working Pressure	Dimensions mm (in)							
			A	B	C	D	E	F	G	H
SAE Split Flange C.61 Companion										
08	1/2"	207 Bar (3000 PSI)	151.1 (5.95)	41.4 (1.63)	13.0 (0.51)	5.21 (2.05)	47.0 (1.85)	114.3 (4.50)	82.0 (3.23)	30.2 (1.19)
12	3/4"	207 Bar (3000 PSI)	162.1 (6.38)	57.2 (2.25)	20.1 (0.79)	50.5 (1.99)	61.0 (2.40)	177.8 (7.00)	119.4 (4.70)	38.1 (1.50)
16	1"	207 Bar (3000 PSI)	177.6 (6.99)	63.5 (2.50)	24.9 (0.98)	56.1 (2.21)	65.3 (2.57)	177.8 (7.00)	125.7 (4.95)	44.4 (1.75)
SAE Split Flange 4-Bolt C.62 Companion										
08	1/2"	414 Bar (6000 PSI)	151.1 (5.95)	41.4 (1.63)	13.0 (0.51)	52.1 (2.05)	47.0 (1.85)	114.3 (4.50)	82.0 (3.23)	31.8 (1.25)
12	3/4"	414 Bar (6000 PSI)	174.2 (6.86)	57.2 (2.25)	20.1 (0.79)	56.6 (2.23)	61.0 (2.40)	177.8 (7.00)	119.4 (4.70)	41.4 (1.63)
16	1"	414 Bar (6000 PSI)	197.9 (7.79)	63.5 (2.50)	24.9 (0.98)	66.3 (2.61)	65.3 (2.57)	177.8 (7.00)	125.7 (4.95)	47.5 (1.87)

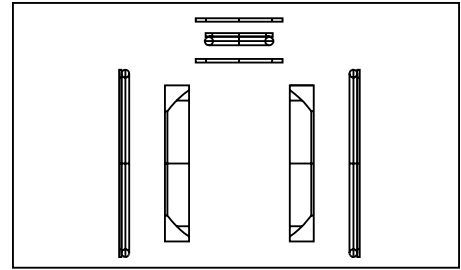
Combination SAE 4-Bolt and SAE Split Flange



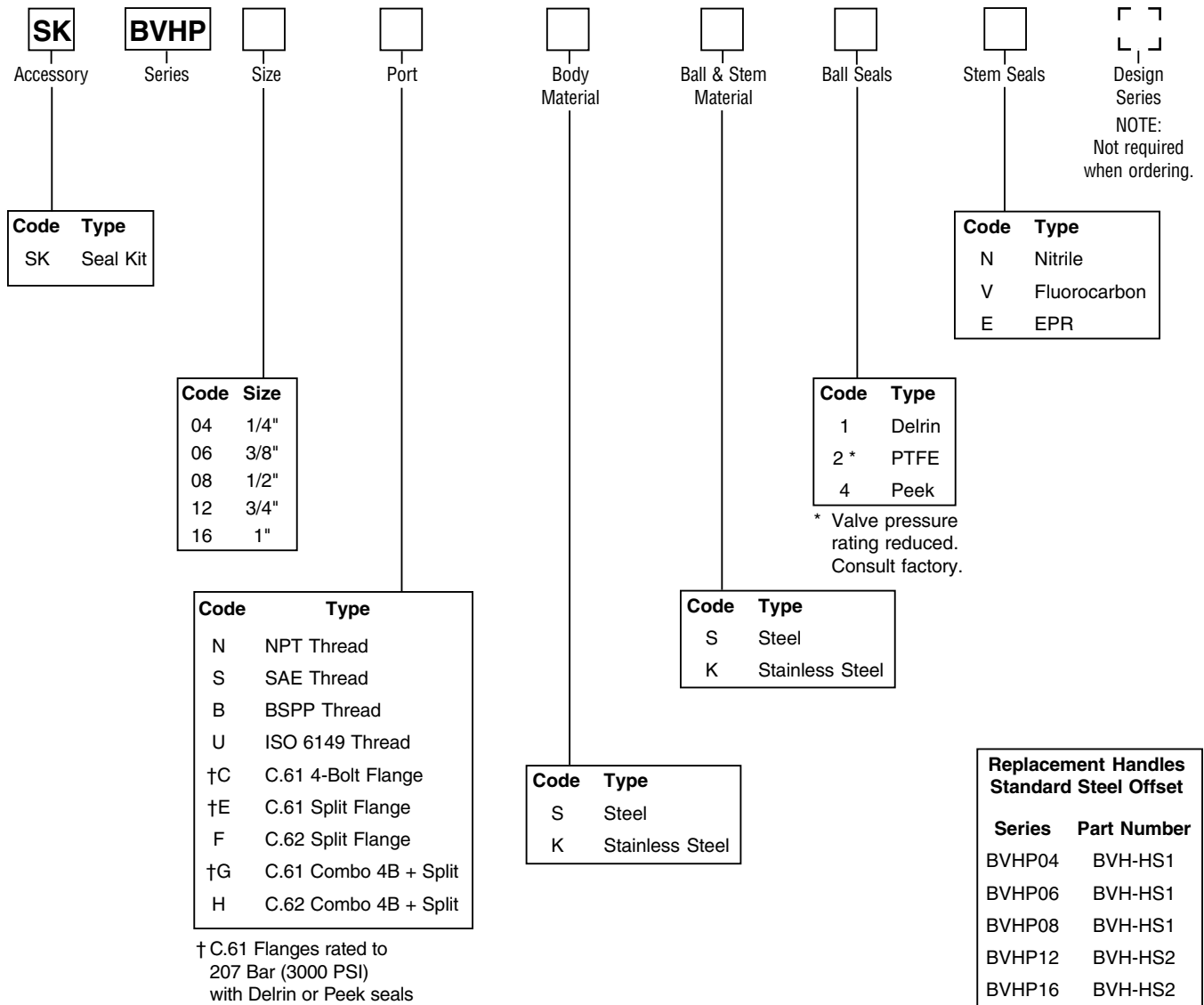
Code	SAE Flange Size	Working Pressure	Dimensions mm (in)									
			A	B	C	D	E	F	G	H	J	K
SAE 4-Bolt + Split C.61 Companion												
08	1/2"	207 Bar (3000 PSI)	128.5 (5.06)	41.4 (1.63)	13.0 (0.51)	29.5 (1.16)	52.1 (2.05)	114.3 (4.50)	82.0 (3.23)	17.5 (0.69)	38.1 (1.50)	5/16"-18 5/16"-18
12	3/4"	207 Bar (3000 PSI)	141.0 (5.55)	57.2 (2.25)	20.1 (0.79)	29.5 (1.16)	50.6 (1.99)	177.8 (7.00)	119.4 (4.70)	22.2 (0.88)	47.6 (1.88)	3/8"-16 3/8"-16
16	1"	207 Bar (3000 PSI)	153.7 (6.05)	63.5 (2.50)	24.9 (0.98)	32.3 (1.27)	56.1 (2.21)	177.8 (7.00)	125.7 (4.95)	26.2 (1.03)	52.6 (2.07)	3/8"-16 3/8"-16
SAE 4-Bolt + Split C.62 Companion												
08	1/2"	414 Bar (6000 PSI)	128.5 (5.06)	41.4 (1.63)	13.0 (0.51)	29.5 (1.16)	52.1 (2.05)	114.3 (4.50)	82.0 (3.23)	18.3 (0.72)	40.4 (1.59)	5/16"-18 5/16"-18
12	3/4"	414 Bar (6000 PSI)	147.1 (5.79)	57.2 (2.25)	20.1 (0.79)	29.5 (1.16)	56.6 (2.23)	177.8 (7.00)	119.4 (4.70)	23.9 (0.94)	50.8 (2.00)	3/8"-16 3/8"-16
16	1"	414 Bar (6000 PSI)	163.8 (6.45)	63.5 (2.50)	24.9 (0.98)	32.3 (1.27)	66.3 (2.61)	177.8 (7.00)	125.7 (4.95)	27.8 (1.10)	57.1 (2.25)	7/16"-14 7/16"-14

Parker Ball Valve Seal Kits restore a ball valve to factory specifications, providing no erosion or metal-to-metal wear has taken place.

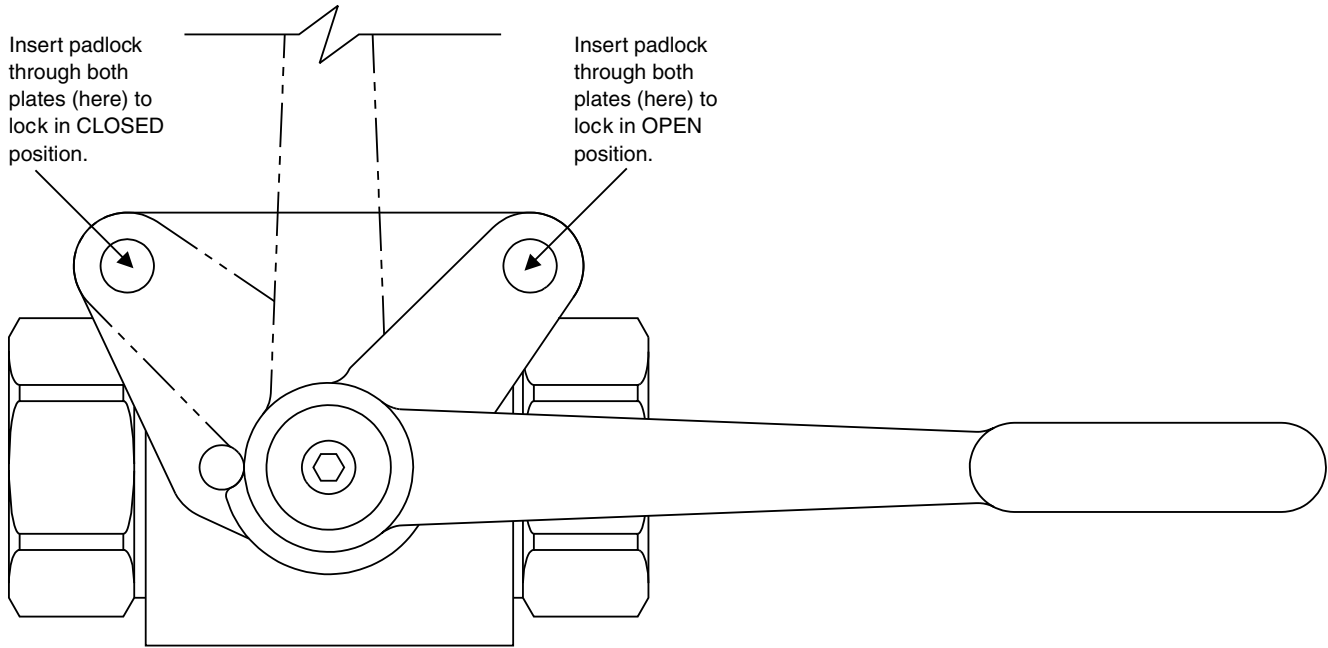
The Seal Kit includes all the o-rings, ball seals and thrust bearings that were originally installed at the factory. A sketch of these parts for most 2-way valves is provided at the right.



Ordering Information



BVHPLK: Standard Series 'BVHPLK-*' kit replaces the stopwasher with a stationary and moving plate, as illustrated below. As the handle is actuated, the moving plate aligns with one of the two locking positions in the stationary plate, enabling the valve to be locked in either **fully closed** or **fully open** position.



Ordering Information

BVHP		Standard Locking (Part Number)
Code	Size	
04	1/4"	BVHPLK-1
06	3/8"	BVHPLK-1
08	1/2"	BVHPLK-1
12	3/4"	BVHPLK-2
16	1"	BVHPLK-2