

General Description

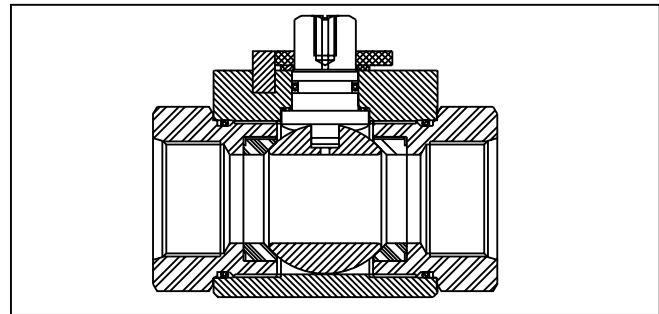
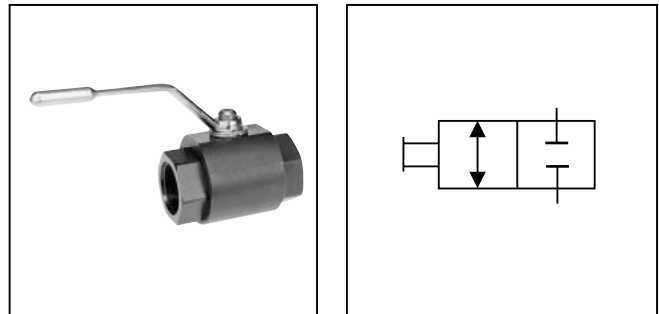
Series BVAH are 414 Bar (6000 PSI) ball valves with ports from 1¼" to 2". Series BVAH are 2-way shut-off valves to use in those applications with large ports. A variety of porting options are available including threaded, SAE 4-bolt flange, split flange and a combination of the two.

Operation

Parker's 2-way ball valves operate to either off or full flow by rotating the handle 90°. Ball valves are not designed to be a metering or flow control device.

Specifications

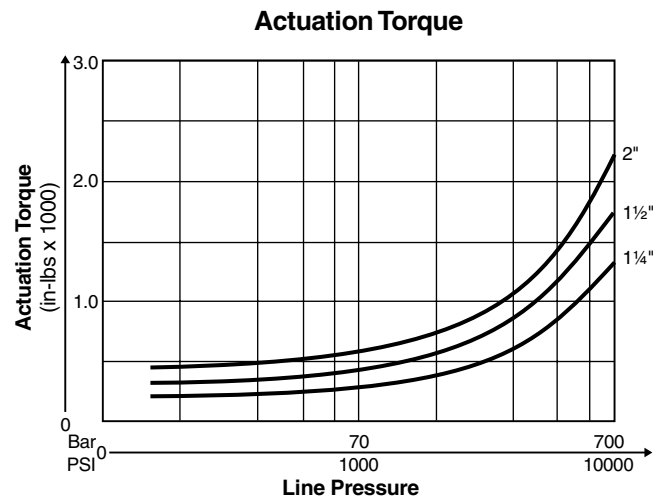
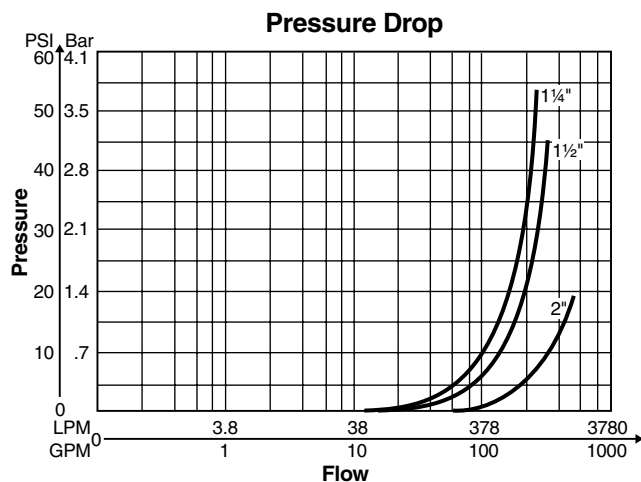
Maximum Pressure	414 Bar (6000 PSI)
Body Material	Carbon Steel, Black Oxide, Stainless Steel
Ball Material	Steel, Chrome Plated, Stainless Steel
Stem Material	Steel, Zinc Plated, Stainless Steel
Standard Handle	Steel Offset, Nickel Plated
Ball Seals	Delrin + MoS ₂
Spindle Seals	O-Ring & Backup, Nitrile
Operating Temperature	-30°C to +100°C (-22°F to +212°F)

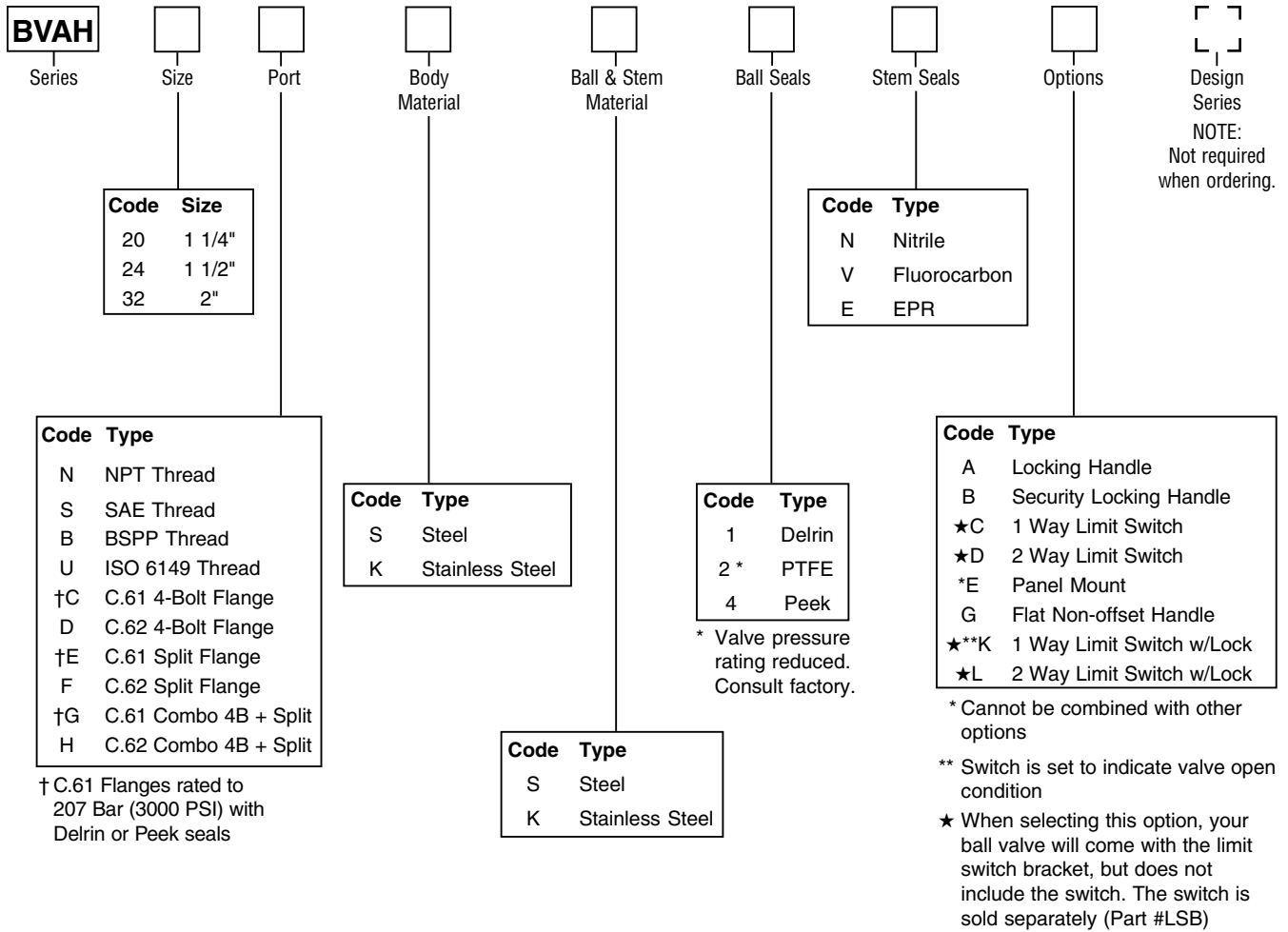


Features

- Thrust bearings and synthetic lubrication in the spindle results in one of the lowest torque requirements in the industry.
- A wide variety of porting options and mounting options make the BVAH suitable for all mounting applications.
- Delrin seals with molybdenum disulphide (MoS₂) results in lower actuation torque and will increase high duty life cycle expectancy.
- The variety of spindle and ball sealing options makes the BVAH suitable for most media applications.
- Limit switch is NEMA 4 with CSA/UL approval.

Performance Curves





ISO 6149-1 Port Dimensions (inches)

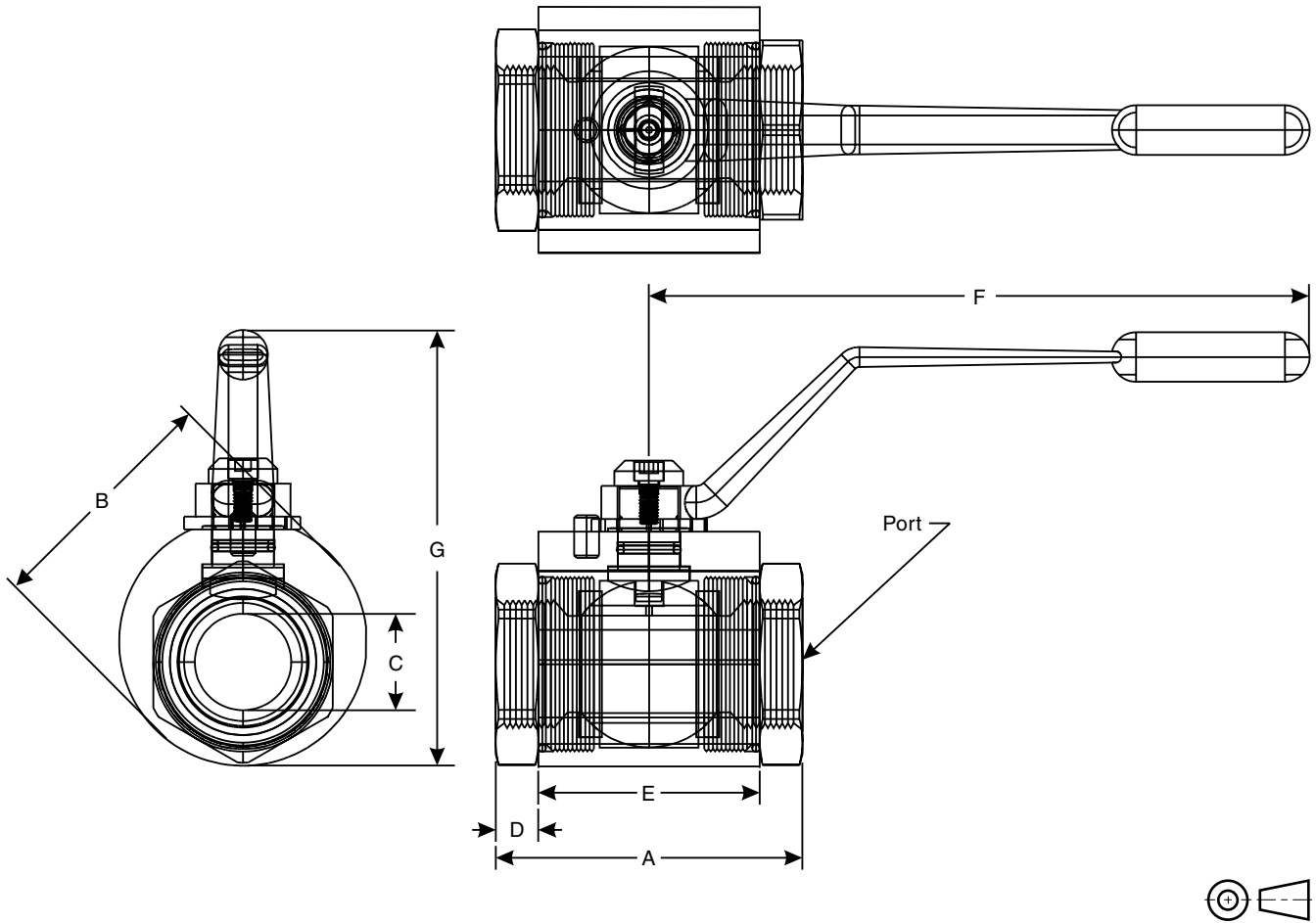
Size	Thread
04	M12 x 1.5
06	M16 x 1.5
08	M18 x 1.5
12	M27 x 2
16	M33 x 2
20	M42 x 2
24	M48 x 2
32	M60 x 2
40	M76 x 2
48	M90 x 2
64	M114 x 2

Replacement Handles Standard Steel Offset	
Series	Part Number
BVAH20	BVH-HS3
BVAH24	BVH-HS3
BVAH32	BVH-HS3

Weights

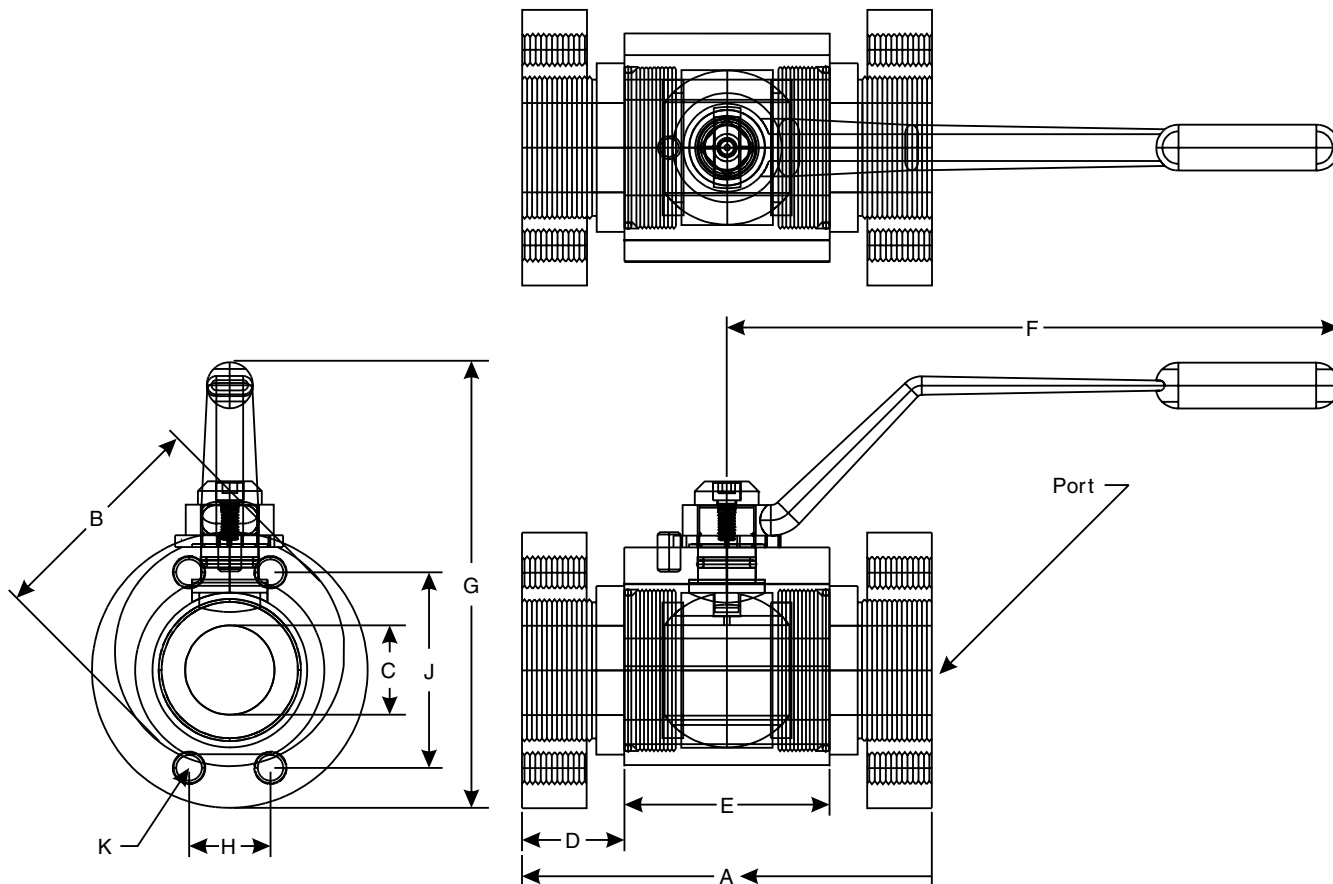
Code	Threaded kg (lbs.)	C. 61 kg (lbs.)	C. 62 kg (lbs.)
20	3.2 (7.0)	5.0 (11.0)	5.2 (12.9)
24	4.5 (10.0)	7.0 (15.5)	7.3 (16.5)
32	10.5 (23.0)	10.4 (26.2)	7.0 (15.5)

Threaded Ports



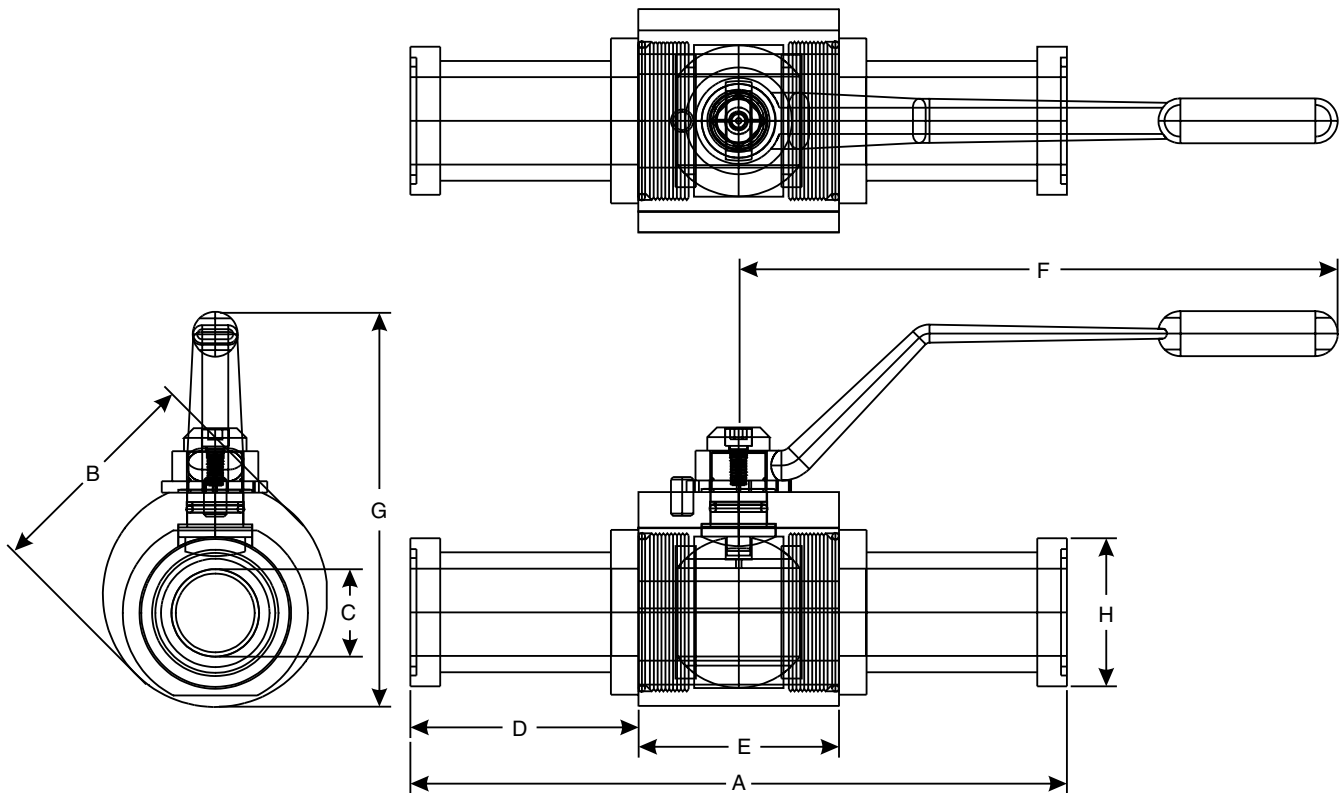
Code	Port Thread Size	Working Pressure	Dimensions mm (in)						
			A	B	C	D	E	F	G
NPT Thread and BSPP Thread									
20	1 1/4"	414 Bar (6000 PSI)	122.9 (4.84)	82.6 (3.25)	32.0 (1.26)	21.6 (0.85)	80.0 (3.15)	254.0 (10.00)	160.3 (6.31)
24	1 1/2"	414 Bar (6000 PSI)	135.4 (5.33)	95.3 (3.75)	38.1 (1.50)	25.1 (0.99)	85.1 (3.35)	254.0 (10.00)	171.7 (6.76)
32	2"	414 Bar (6000 PSI)	166.1 (6.54)	114.3 (4.50)	48.0 (1.89)	33.0 (1.30)	100.1 (3.94)	254.0 (10.00)	188.5 (7.42)
SAE Thread									
20	1 1/4"	414 Bar (6000 PSI)	122.9 (4.84)	88.9 (3.50)	32.0 (1.26)	21.6 (0.85)	80.0 (3.15)	254.0 (10.00)	160.3 (6.31)
24	1 1/2"	414 Bar (6000 PSI)	135.4 (5.33)	95.3 (3.75)	38.1 (1.50)	25.1 (0.99)	85.1 (3.35)	254.0 (10.00)	171.7 (6.76)
32	2"	414 Bar (6000 PSI)	166.1 (6.54)	114.3 (4.50)	48.0 (1.89)	33.0 (1.30)	100.1 (3.94)	254.0 (10.00)	188.5 (7.42)

SAE 4-Bolt Flange



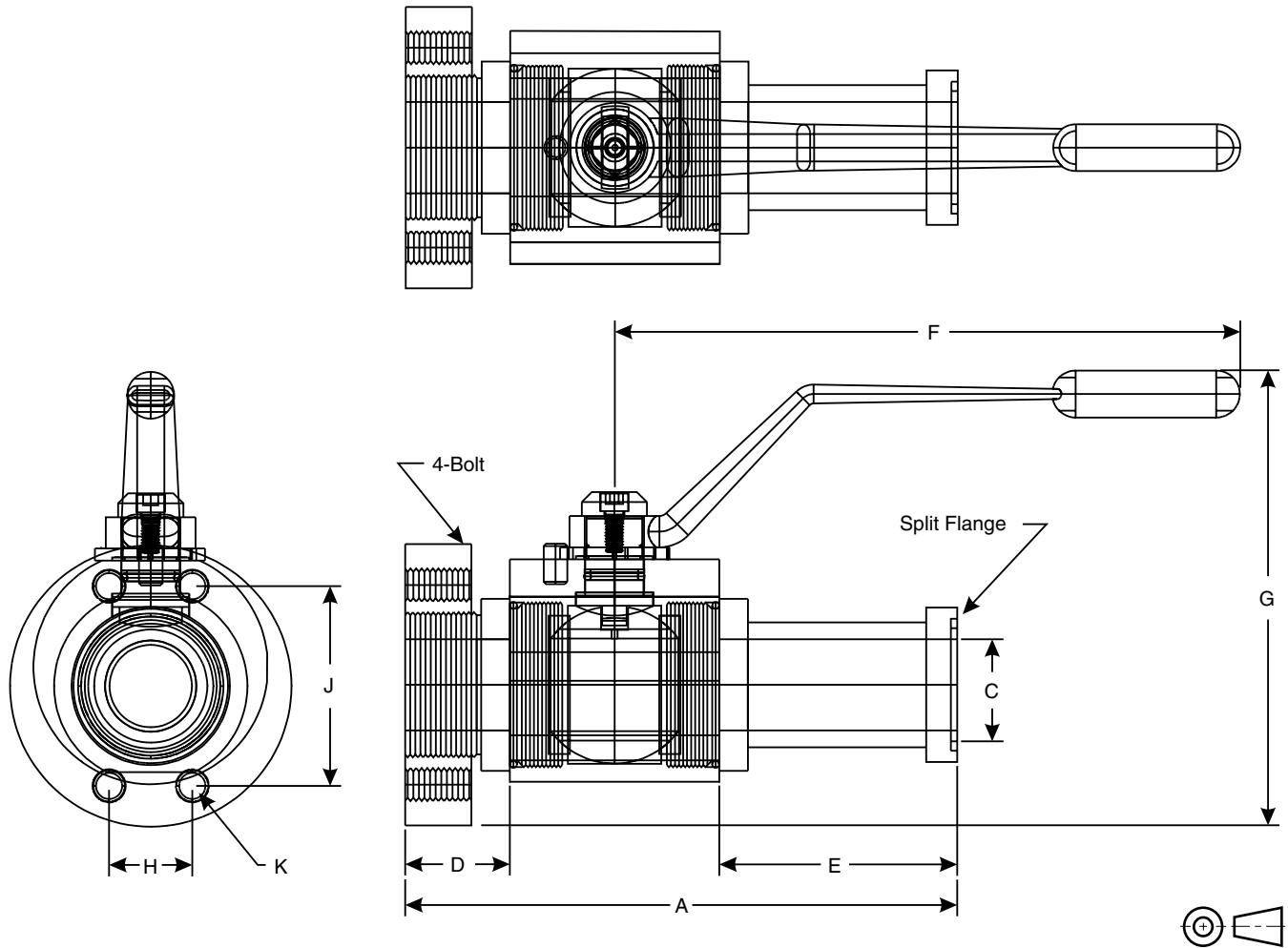
Code	SAE 4-B Flange Size	Working Pressure	Dimensions mm (in)									
			A	B	C	D	E	F	G	H	J	K
SAE 4-Bolt C.61 Companion												
20	1 1/4"	207 Bar (3000 PSI)	175.3 (6.90)	82.6 (3.25)	32.0 (1.26)	47.8 (1.88)	80.0 (3.15)	254.0 (10.00)	160.3 (6.31)	30.2 (1.19)	58.7 (2.31)	7/16"-14 7/16"-14
24	1 1/2"	207 Bar (3000 PSI)	180.3 (7.10)	95.3 (3.75)	38.1 (1.50)	47.8 (1.88)	85.1 (3.35)	254.0 (10.00)	171.7 (6.76)	35.7 (1.41)	69.8 (2.75)	1/2"-13 1/2"-13
32	2"	207 Bar (3000 PSI)	204.7 (8.06)	114.3 (4.50)	48.0 (1.89)	52.3 (2.06)	100.1 (3.94)	254.0 (10.00)	188.5 (7.42)	42.9 (1.69)	77.9 (3.06)	1/2"-13 1/2"-13
SAE 4-Bolt C.62 Companion												
20	1 1/4"	414 Bar (6000 PSI)	175.3 (6.90)	82.6 (3.25)	32.0 (1.26)	47.8 (1.88)	80.0 (3.15)	254.0 (10.00)	160.3 (6.31)	31.8 (1.25)	66.7 (2.63)	1/2"-13 1/2"-13
24	1 1/2"	414 Bar (6000 PSI)	180.3 (7.10)	95.3 (3.75)	38.1 (1.50)	47.8 (1.88)	85.1 (3.35)	254.0 (10.00)	171.7 (6.76)	36.4 (1.44)	79.4 (3.13)	5/8"-11 5/8"-11
32	2"	414 Bar (6000 PSI)	204.7 (8.06)	114.3 (4.50)	48.0 (1.89)	52.3 (2.06)	100.1 (3.94)	254.0 (10.00)	188.5 (7.42)	44.4 (1.75)	96.8 (3.81)	3/4"-10 3/4"-10

SAE Split Flange



Code	Split Flange Size	Working Pressure	Dimensions mm (in)							
			A	B	C	D	E	F	G	H
SAE Split Flange C.61 Companion										
20	1 1/4"	207 Bar (3000 PSI)	190.8 (7.51)	82.6 (3.25)	32.0 (1.26)	55.4 (2.18)	80.0 (3.15)	254.0 (10.00)	160.3 (6.31)	50.8 (2.00)
24	1 1/2"	207 Bar (3000 PSI)	230.9 (9.09)	95.3 (3.75)	38.1 (1.50)	72.9 (2.87)	85.1 (3.35)	254.0 (10.00)	171.7 (6.76)	60.2 (2.37)
32	2"	207 Bar (3000 PSI)	231.7 (9.12)	114.3 (4.50)	48.0 (1.89)	65.8 (2.59)	100.1 (3.94)	254.0 (10.00)	188.5 (7.42)	71.4 (2.81)
SAE Split Flange C.62 Companion										
20	1 1/4"	414 Bar (6000 PSI)	222.8 (8.77)	82.6 (3.25)	32.0 (1.26)	71.4 (2.81)	80.0 (3.15)	254.0 (10.00)	160.3 (6.31)	54.1 (2.13)
24	1 1/2"	414 Bar (6000 PSI)	281.2 (11.07)	95.3 (3.75)	38.1 (1.50)	98.0 (3.86)	85.1 (3.35)	254.0 (10.00)	171.7 (6.76)	63.5 (2.50)
32	2"	414 Bar (6000 PSI)	316.0 (12.44)	114.3 (4.50)	48.0 (1.89)	108.0 (4.25)	100.1 (3.94)	254.0 (10.00)	188.5 (7.42)	79.5 (3.13)

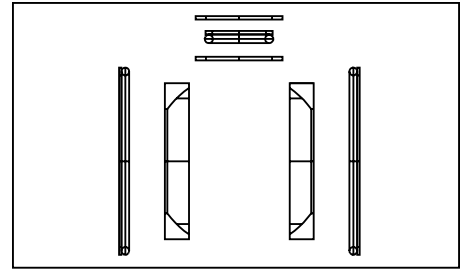
Combination SAE 4-Bolt and SAE Split Flange



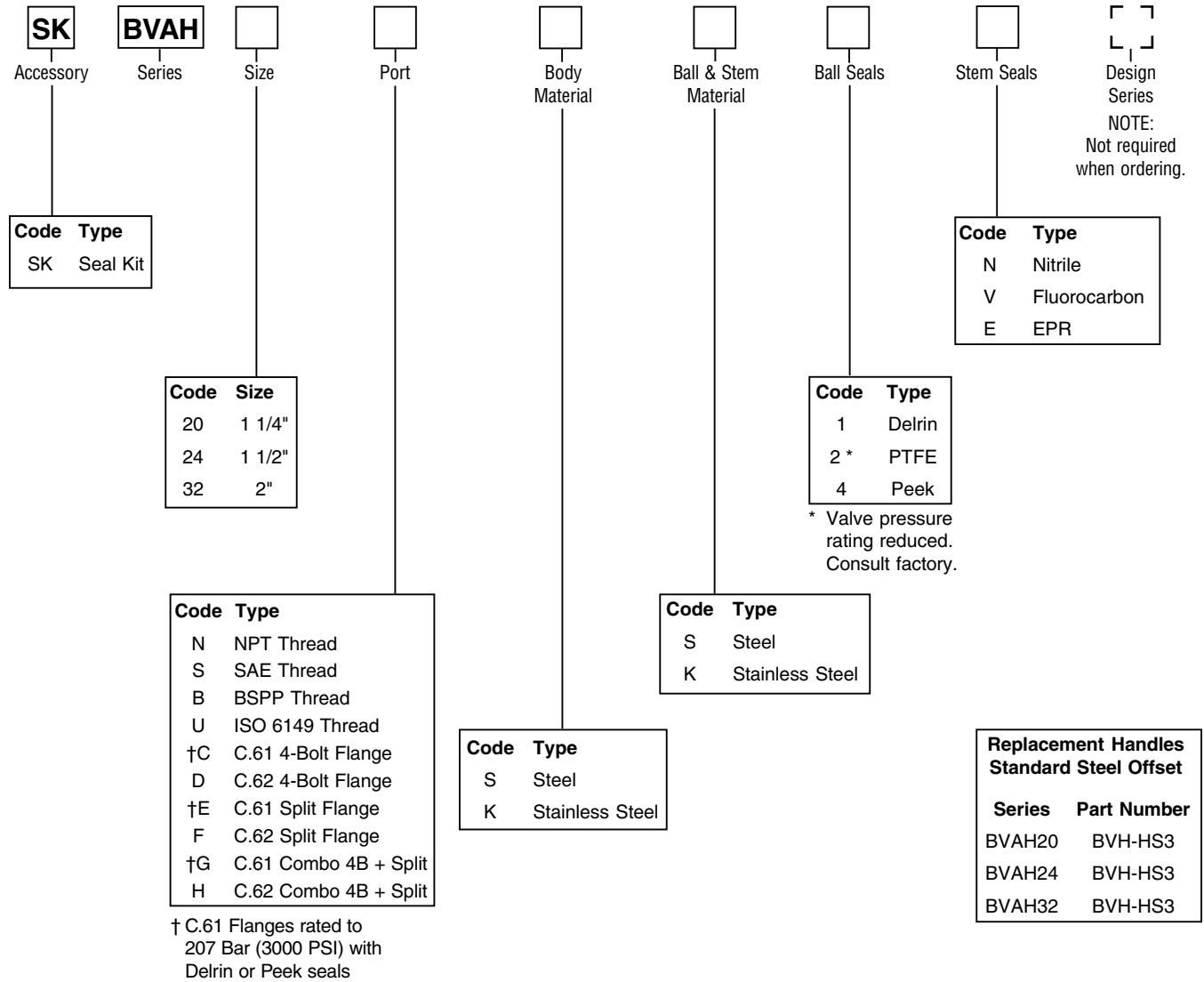
Code	SAE Flange Size	Working Pressure	Dimensions mm (in)									
			A	B	C	D	E	F	G	H	J	K
SAE 4-Bolt + Split, C.61 Companion												
20	1 1/4"	207 Bar (3000 PSI)	183.9 (7.24)	82.6 (3.25)	32.0 (1.26)	47.8 (1.88)	55.4 (2.18)	254.0 (10.00)	160.3 (6.31)	30.2 (1.19)	58.7 (2.31)	7/16"-14 7/16"-14
24	1 1/2"	207 Bar (3000 PSI)	205.5 (8.09)	95.3 (3.75)	38.1 (1.50)	47.8 (1.88)	72.9 (2.87)	254.0 (10.00)	171.7 (6.76)	35.7 (1.41)	69.8 (2.75)	1/2"-13 1/2"-13
32	2"	207 Bar (3000 PSI)	218.2 (8.59)	114.3 (4.50)	48.0 (1.89)	52.3 (2.06)	68.3 (2.69)	254.0 (10.00)	188.5 (7.42)	42.9 (1.69)	78.0 (3.07)	1/2"-13 1/2"-13
SAE 4-Bolt + Split, C.62 Companion												
20	1 1/4"	414 Bar (6000 PSI)	198.9 (7.83)	82.6 (3.25)	32.0 (1.26)	47.8 (1.88)	71.4 (2.81)	254.0 (10.00)	160.3 (6.31)	31.8 (1.25)	66.7 (2.63)	1/2"-13 1/2"-13
24	1 1/2"	414 Bar (6000 PSI)	230.6 (9.08)	95.3 (3.75)	38.1 (1.50)	47.8 (1.88)	98.0 (3.86)	254.0 (10.00)	171.7 (6.76)	36.4 (1.44)	79.4 (3.13)	5/8"-11 5/8"-11
32	2"	414 Bar (6000 PSI)	260.4 (10.25)	114.3 (4.50)	48.0 (1.89)	52.3 (2.06)	108.0 (4.25)	254.0 (10.00)	188.5 (7.42)	44.4 (1.75)	96.8 (3.81)	3/4"-10 3/4"-10

Ball Valve Seal Kits restore a ball valve to factory specifications, providing no erosion or metal-to-metal wear has taken place.

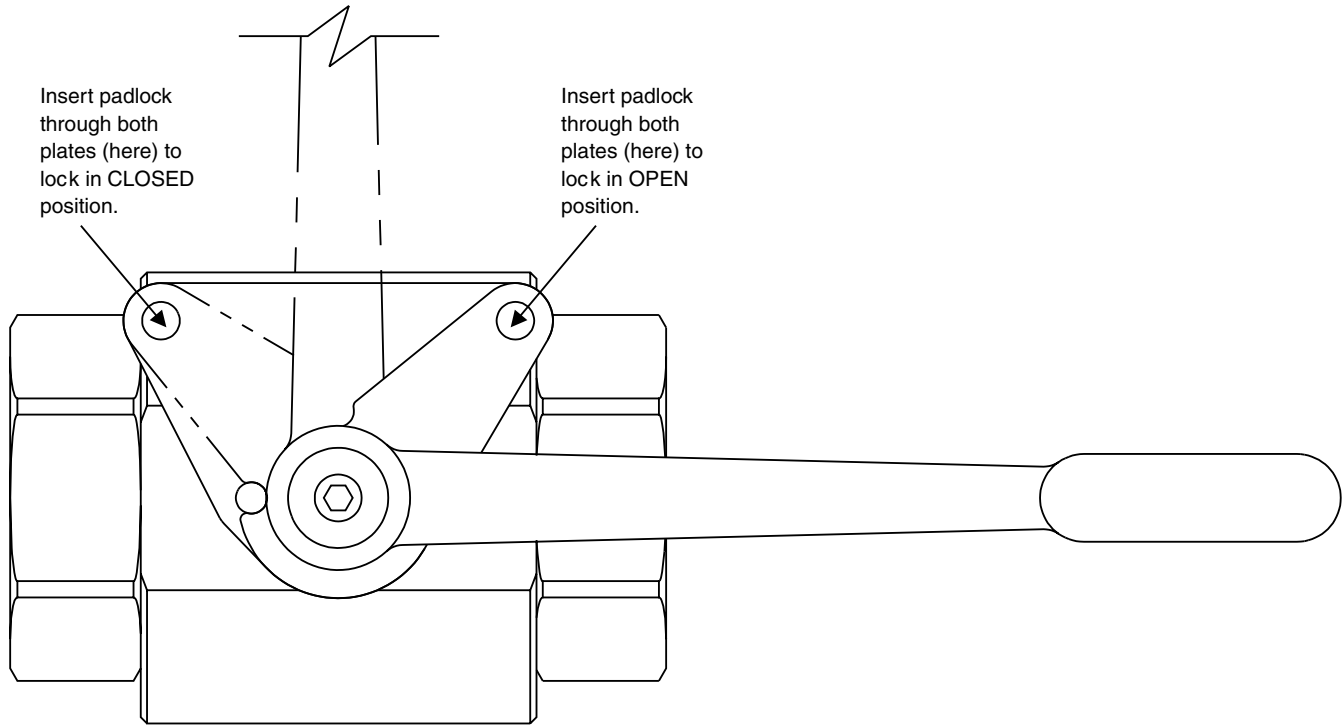
The Seal Kit includes all the o-rings, ball seals and thrust bearings that were originally installed at the factory.



Ordering Information



BVHPLK: Standard Series 'BVHPLK-*' kit replaces the stopwasher with a stationary and moving plate, as illustrated below. As the handle is actuated, the moving plate aligns with one of the two locking positions in the stationary plate, enabling the valve to be locked in either **fully closed** or **fully open** position.



Ordering Information

BVAH		Standard Locking (Part Number)
Code	Size	
20	1 1/4"	BVHPLK-3
24	1 1/2"	BVHPLK-3
32	2"	BVHPLK-3