

**General Description**

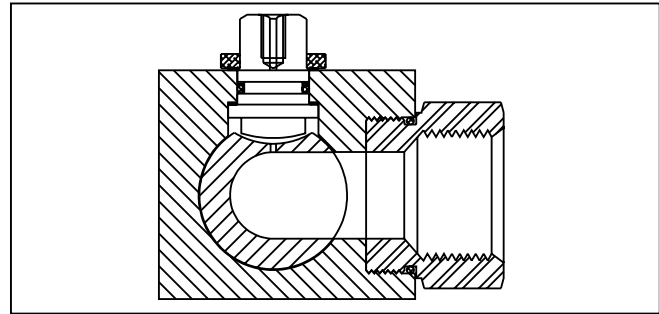
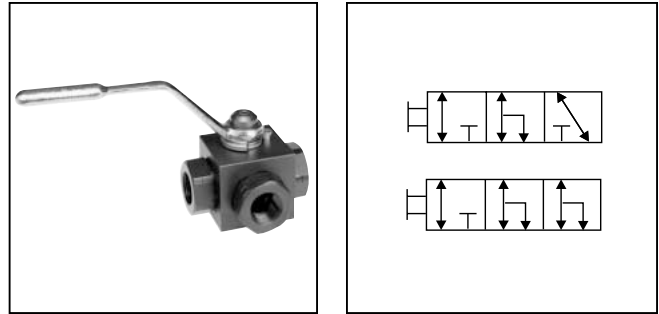
Series BV3D is a 3-way diverter. The product is rated at 207 Bar (3000 PSI) and designed to economically satisfy many 3-way applications.

**Operation**

The BV3D Series operates by rotating the handle 90° or 180° depending on the chosen ball pattern. There is a slight port to port overlap.

**Specifications**

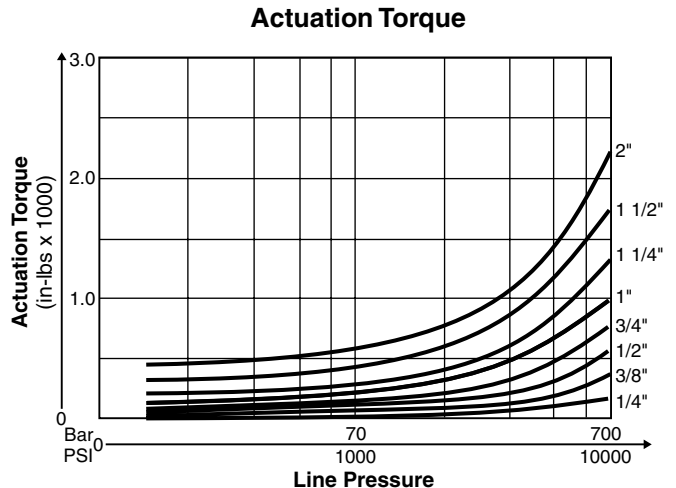
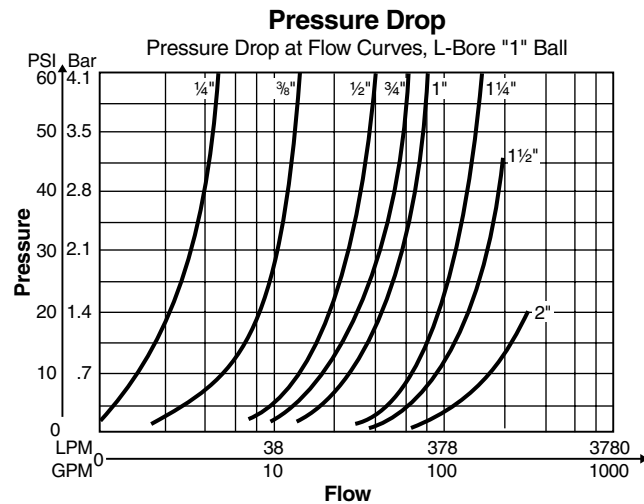
<b>Maximum Pressure</b>	207 Bar (3000 PSI)
<b>Body Material</b>	Carbon Steel, Black Oxide, Stainless Steel
<b>Ball Material</b>	Steel, Chrome Plated, Stainless Steel
<b>Stem Material</b>	Steel, Zinc Plated, Stainless Steel
<b>Standard Handle</b>	Steel Offset, Nickel Plated
<b>Ball Seals</b>	Delrin + MoS <sub>2</sub>
<b>Spindle Seals</b>	O-Ring & Backup, Nitrile
<b>Operating Temperature</b>	-30°C to +100°C (-22°F to +212°F)

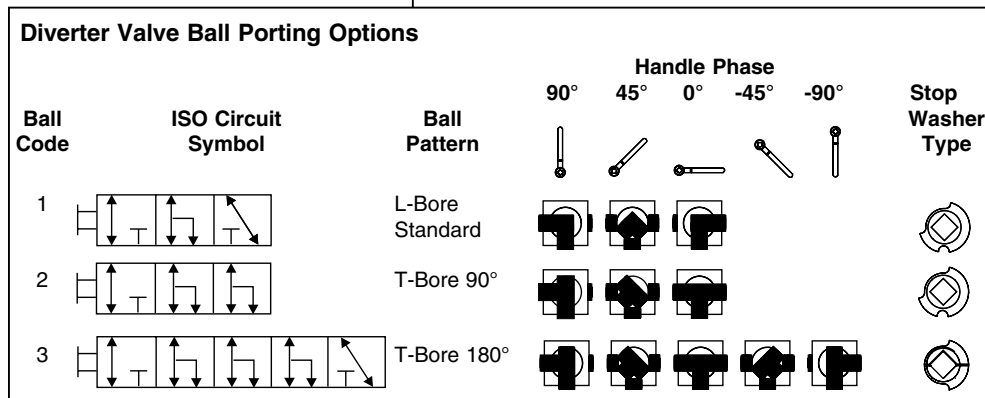
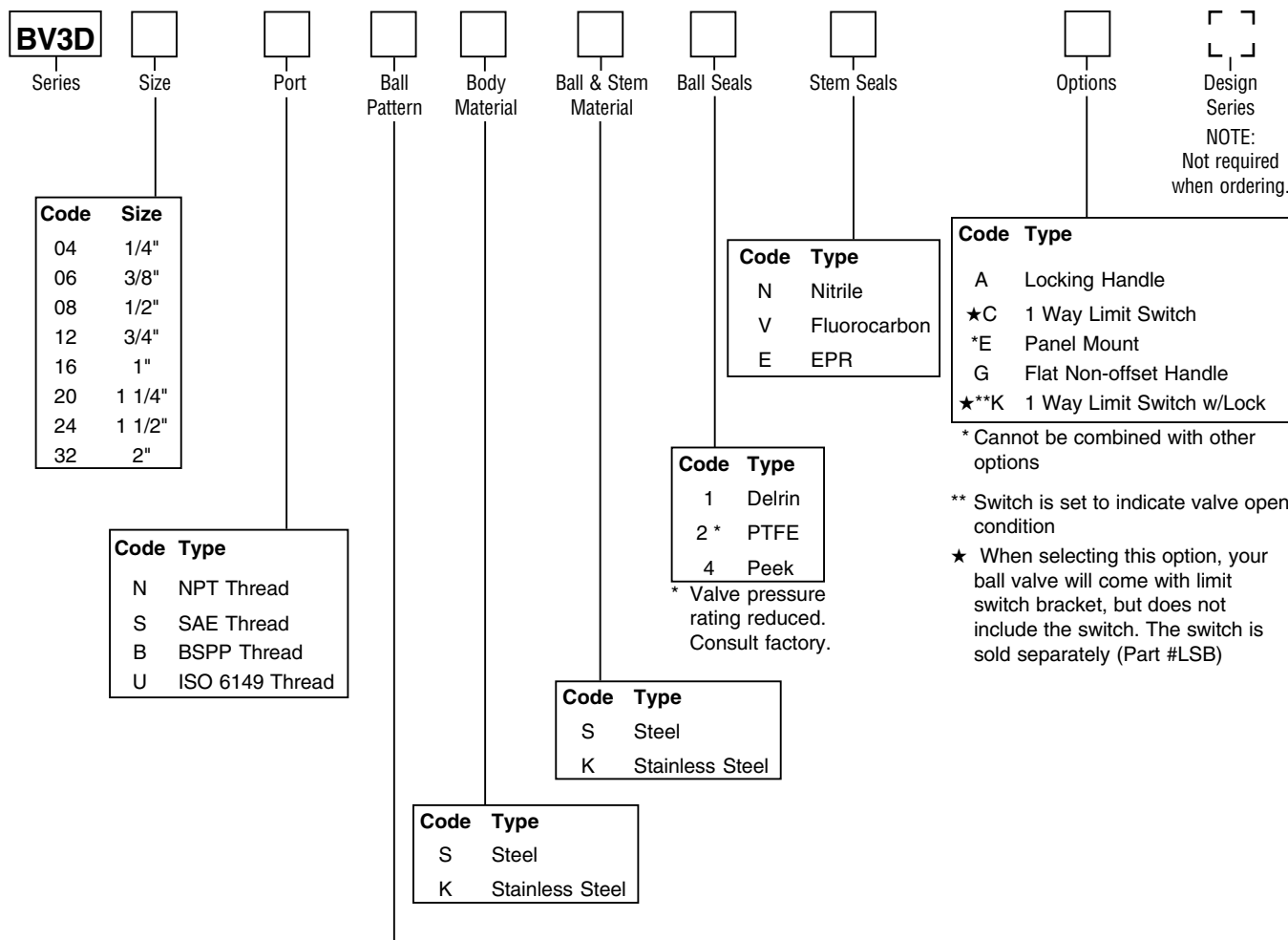


**Features**

- The standard L-bore ball and T-bore option allows the valve to be utilized in a variety of applications.
- Slight port overlap reduces upstream shock during shifting.
- Utilizing the unique spindle thrust bearing design reduces actuation torque.
- The BV3D can be panel mounted which allows a variety of installation options.
- Delrin seals with molybdenum disulphide (MoS<sub>2</sub>) results in lower actuation torque and will increase high duty life cycle expectancy.

**Performance Curves**





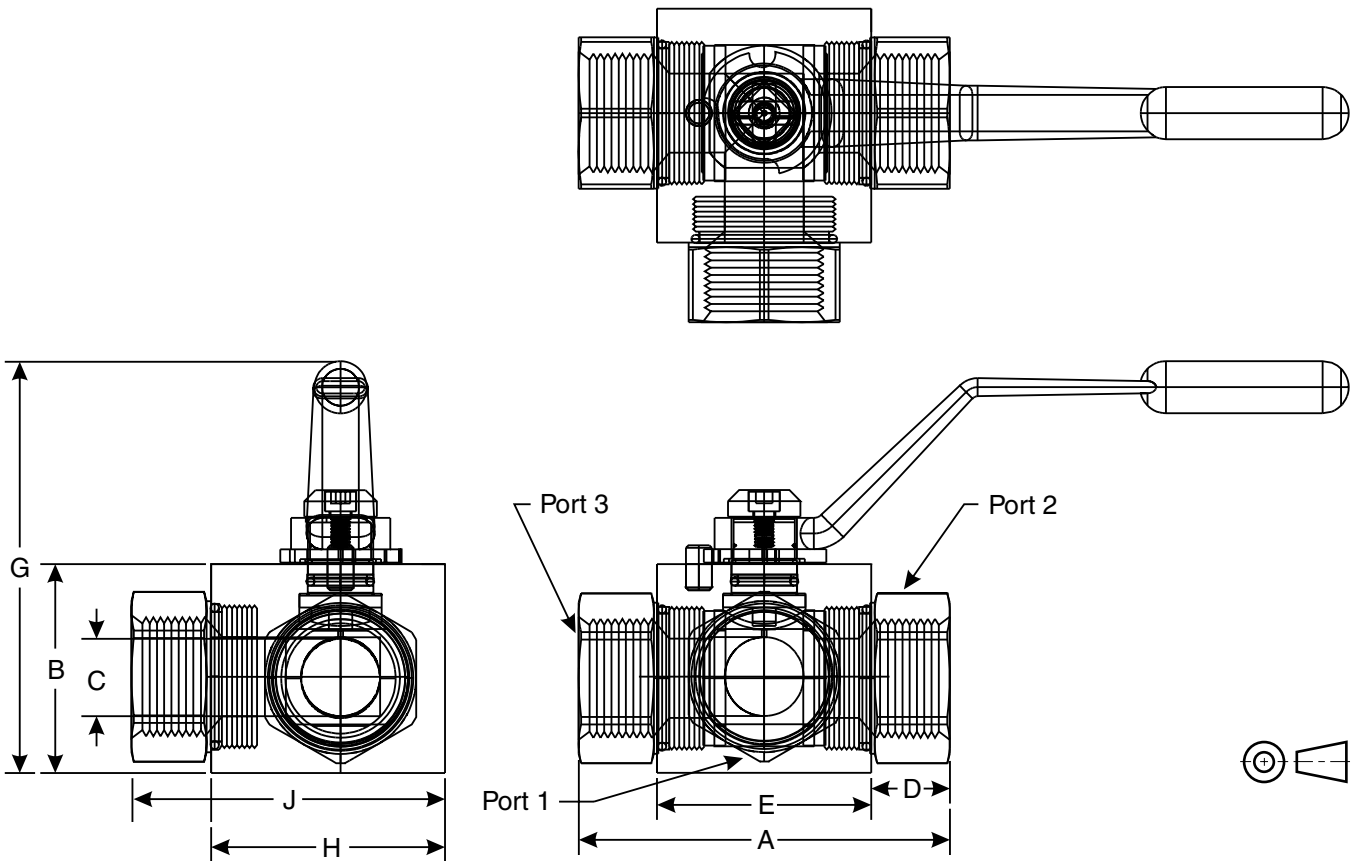
**Weights**

Code	kg (lbs.)	Code	kg (lbs.)
04	0.7 (1.5)	16	3.4 (7.5)
06	0.9 (2.0)	20	4.5 (10.0)
08	1.1 (2.5)	24	6.4 (14.0)
12	2.7 (6.0)	32	9.5 (21.0)

**ISO 6149-1 Port Dimensions (inches)**

Size	Thread
04	M12 x 1.5
06	M16 x 1.5
08	M18 x 1.5
12	M27 x 2
16	M33 x 2
20	M42 x 2
24	M48 x 2
32	M60 x 2
40	M76 x 2
48	M90 x 2
64	M114 x 2

**Threaded Ports**

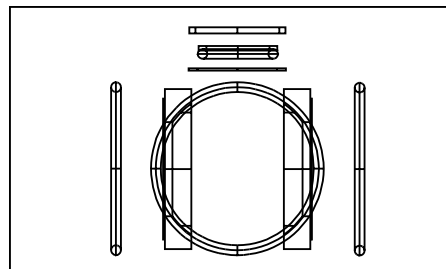


Code	Port Thread Size	Working Pressure	Dimensions mm (in)									
			A	B	C <sub>L</sub>	C <sub>T</sub>	D	E	F	G	H	J
<b>NPT and SAE Thread</b>												
04	1/4"	207 Bar (3000 PSI)	69.6 (2.74)	35.1 (1.38)	6.1 (0.24)	6.1 (0.24)	17.0 (0.67)	35.1 (1.38)	114.3 (4.50)	75.7 (2.98)	35.1 (1.38)	52.1 (2.05)
06	3/8"	207 Bar (3000 PSI)	72.9 (2.87)	38.1 (1.50)	9.7 (0.38)	9.7 (0.38)	15.2 (0.60)	41.9 (1.65)	114.3 (4.50)	79.0 (3.11)	41.9 (1.65)	57.4 (2.26)
08	1/2"	207 Bar (3000 PSI)	85.1 (3.35)	41.4 (1.63)	13.0 (0.51)	13.0 (0.51)	19.1 (0.75)	47.0 (1.85)	114.3 (4.50)	82.0 (3.23)	50.8 (2.00)	69.9 (2.75)
12	3/4"	207 Bar (3000 PSI)	96.5 (3.80)	57.2 (2.25)	20.1 (0.79)	20.1 (0.79)	17.8 (0.70)	61.0 (2.40)	177.8 (7.00)	119.4 (4.70)	54.1 (2.13)	71.6 (2.82)
16	1"	207 Bar (3000 PSI)	114.0 (4.49)	63.5 (2.50)	24.1 (0.95)	24.1 (0.95)	24.4 (0.96)	65.3 (2.57)	177.8 (7.00)	125.7 (4.95)	63.5 (2.50)	87.9 (3.46)
20	1 1/4"	207 Bar (3000 PSI)	122.9 (4.84)	81.3 (3.20)	32.0 (1.26)	32.0 (1.26)	21.6 (0.85)	80.0 (3.15)	254.0 (10.00)	160.3 (6.31)	93.7 (3.69)	115.3 (4.54)
24	1 1/2"	207 Bar (3000 PSI)	135.4 (5.33)	92.5 (3.64)	38.1 (1.50)	38.1 (1.50)	25.1 (0.99)	85.1 (3.35)	254.0 (10.00)	171.7 (6.76)	106.4 (4.19)	131.6 (5.18)
32	2"	207 Bar (3000 PSI)	166.1 (6.54)	109.2 (4.30)	48.0 (1.89)	48.0 (1.89)	33.0 (1.30)	100.1 (3.94)	254.0 (10.00)	188.5 (7.42)	127.0 (5.00)	160.0 (6.30)

**Seal Kit Accessories**

Ball Valve Seal Kits restore a ball valve to factory specifications, providing no erosion or metal-to-metal wear has taken place.

The Seal Kit includes all the o-rings, ball seals and thrust bearings that were originally installed at the factory. A sketch of these parts is provided at the right.



**Seal Kit Ordering Information**

<div style="border: 1px solid black; padding: 2px; width: 40px; margin: 0 auto;">SK</div> <p>Accessory</p>	<div style="border: 1px solid black; padding: 2px; width: 60px; margin: 0 auto;">BV3D</div> <p>Series</p>	<div style="border: 1px solid black; width: 30px; height: 20px; margin: 0 auto;"></div> <p>Size</p>	<div style="border: 1px solid black; width: 30px; height: 20px; margin: 0 auto;"></div> <p>Port</p>	<div style="border: 1px solid black; width: 30px; height: 20px; margin: 0 auto;"></div> <p>Ball Pattern</p>	<div style="border: 1px solid black; width: 30px; height: 20px; margin: 0 auto;"></div> <p>Body Material</p>	<div style="border: 1px solid black; width: 30px; height: 20px; margin: 0 auto;"></div> <p>Ball &amp; Stem Material</p>	<div style="border: 1px solid black; width: 30px; height: 20px; margin: 0 auto;"></div> <p>Ball Seals</p>	<div style="border: 1px solid black; width: 30px; height: 20px; margin: 0 auto;"></div> <p>Stem Seals</p>	<div style="border: 1px dashed black; width: 30px; height: 30px; margin: 0 auto;"></div> <p>Design Series</p>
--	---	---	---	---	--	---	---	---	---

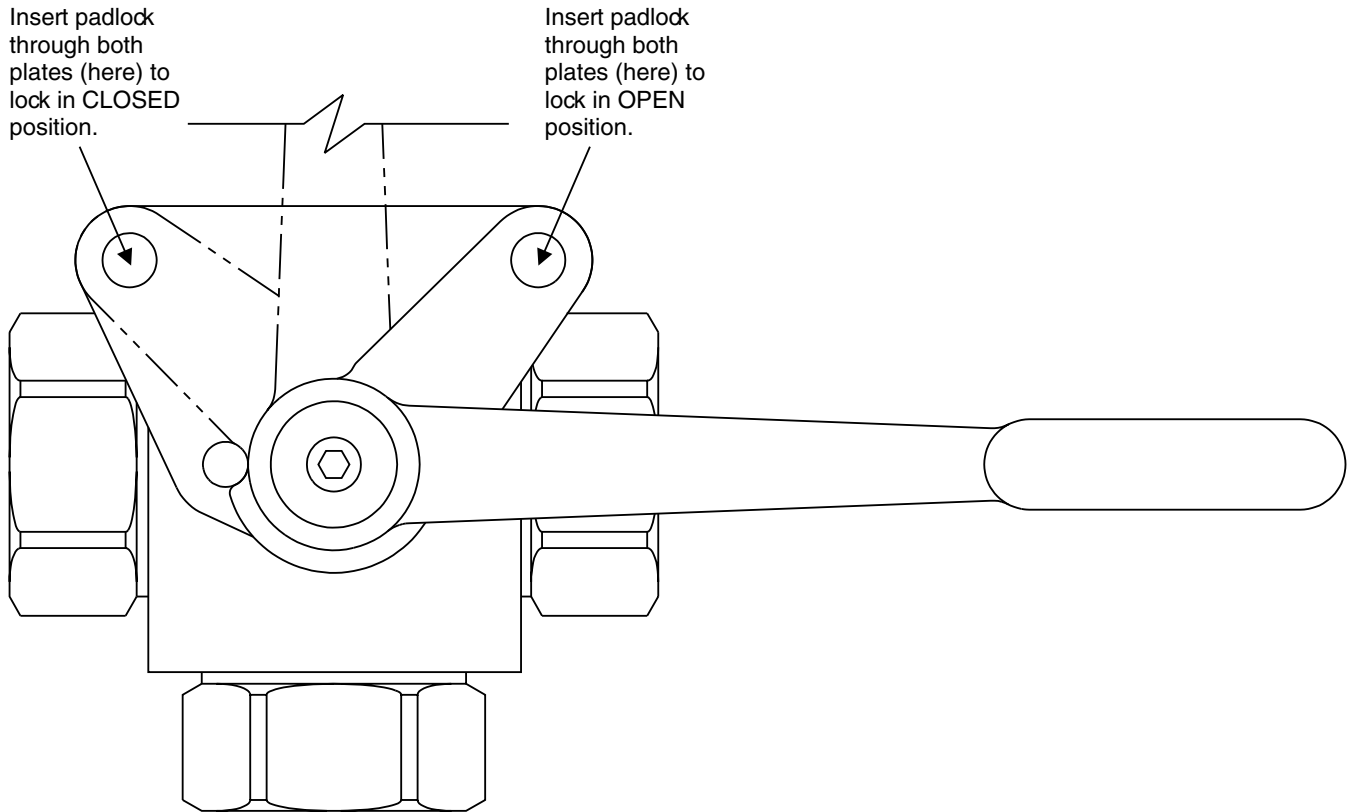
  

<table border="0"> <tr><th>Code</th><th>Type</th></tr> <tr><td>SK</td><td>Seal Kit</td></tr> </table>	Code	Type	SK	Seal Kit	<table border="0"> <tr><th>Code</th><th>Size</th></tr> <tr><td>04</td><td>1/4"</td></tr> <tr><td>06</td><td>3/8"</td></tr> <tr><td>08</td><td>1/2"</td></tr> <tr><td>12</td><td>3/4"</td></tr> <tr><td>16</td><td>1"</td></tr> <tr><td>20</td><td>1 1/4"</td></tr> <tr><td>24</td><td>1 1/2"</td></tr> <tr><td>32</td><td>2"</td></tr> </table>	Code	Size	04	1/4"	06	3/8"	08	1/2"	12	3/4"	16	1"	20	1 1/4"	24	1 1/2"	32	2"	<table border="0"> <tr><th>Code</th><th>Type</th></tr> <tr><td>N</td><td>NPT Thread</td></tr> <tr><td>S</td><td>SAE Thread</td></tr> <tr><td>B</td><td>BSPP Thread</td></tr> <tr><td>U</td><td>ISO 6149 Thread</td></tr> </table>	Code	Type	N	NPT Thread	S	SAE Thread	B	BSPP Thread	U	ISO 6149 Thread	<table border="0"> <tr><th>Code</th><th>Type</th></tr> <tr><td>S</td><td>Steel</td></tr> <tr><td>K</td><td>Stainless Steel</td></tr> </table>	Code	Type	S	Steel	K	Stainless Steel	<table border="0"> <tr><th>Code</th><th>Type</th></tr> <tr><td>1</td><td>Delrin</td></tr> <tr><td>2 *</td><td>PTFE</td></tr> <tr><td>4</td><td>Peek</td></tr> </table> <p style="font-size: small;">* Valve pressure rating reduced. Consult factory.</p>	Code	Type	1	Delrin	2 *	PTFE	4	Peek	<table border="0"> <tr><th>Code</th><th>Type</th></tr> <tr><td>N</td><td>Nitrile</td></tr> <tr><td>V</td><td>Fluorocarbon</td></tr> <tr><td>E</td><td>EPR</td></tr> </table> <p style="font-size: x-small;">NOTE: Not required when ordering.</p>	Code	Type	N	Nitrile	V	Fluorocarbon	E	EPR
Code	Type																																																										
SK	Seal Kit																																																										
Code	Size																																																										
04	1/4"																																																										
06	3/8"																																																										
08	1/2"																																																										
12	3/4"																																																										
16	1"																																																										
20	1 1/4"																																																										
24	1 1/2"																																																										
32	2"																																																										
Code	Type																																																										
N	NPT Thread																																																										
S	SAE Thread																																																										
B	BSPP Thread																																																										
U	ISO 6149 Thread																																																										
Code	Type																																																										
S	Steel																																																										
K	Stainless Steel																																																										
Code	Type																																																										
1	Delrin																																																										
2 *	PTFE																																																										
4	Peek																																																										
Code	Type																																																										
N	Nitrile																																																										
V	Fluorocarbon																																																										
E	EPR																																																										

**Divertor Valve Ball Porting Options**

Ball Code	ISO Circuit Symbol	Ball Pattern	Handle Phase					Stop Washer Type
			90°	45°	0°	-45°	-90°	
1		L-Bore Standard						
2		T-Bore 90°						
3		T-Bore 180°						

**BVHPLK:** Standard Series 'BVHPLK-\*' kit replaces the stopwasher with a stationary and moving plate, as illustrated below. As the handle is actuated, the moving plate aligns with one of the two locking positions in the stationary plate, enabling the valve to be locked in either **fully closed** or **fully open** position.



**Ordering Information**

BV3D		Standard Locking
Code	Size	(Part Number)
04	1/4"	BVHPLK-1
06	3/8"	BVHPLK-1
08	1/2"	BVHPLK-1
12	3/4"	BVHPLK-2
16	1"	BVHPLK-2
20	1 1/4"	BVHPLK-3
24	1 1/2"	BVHPLK-3
32	2"	BVHPLK-3