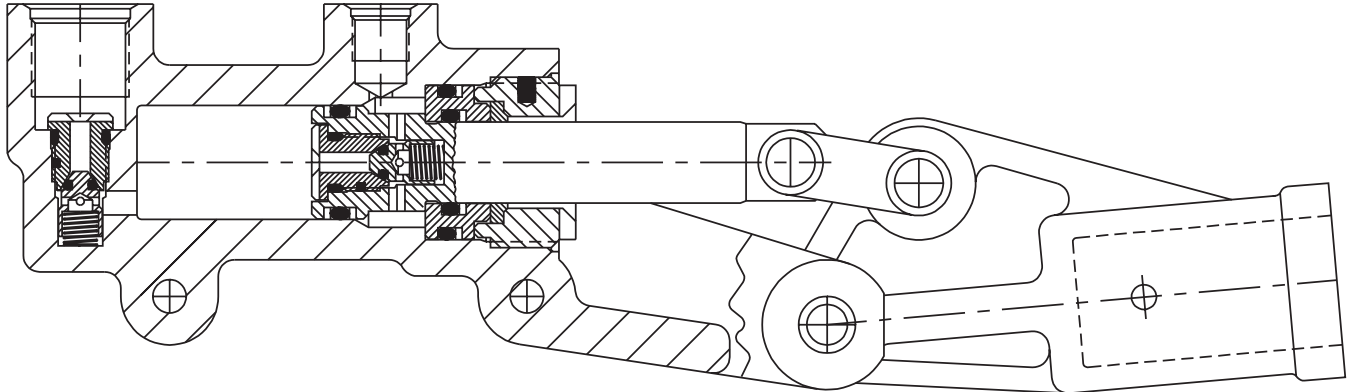


## Catalog Series 915, 916

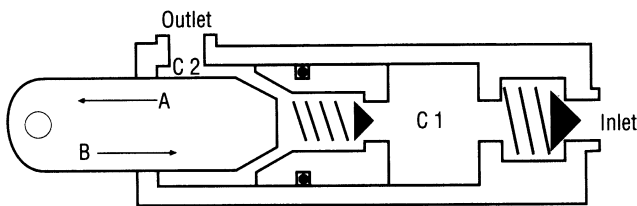
### 3000 PSI



### Features

- Lightweight, double-acting pump delivering .7 cubic inch minimum per cycle (2 strokes).
- Integral resilient seated valves prevent back flow during operation.

### Principle of Operation



#### Piston Stroke — Direction A

Chamber C1 draws in fluid through INLET while chamber C2 discharges fluid through OUTLET.

#### Piston Stroke — Direction B

Volume in chamber C1 is transferred to chamber C2. Since chamber C2 holds half the volume of chamber C1, half of the fluid in chamber C2 is discharged through the OUTLET port.

### Specifications

**Service Applications:** Hydraulic oil.

#### Pressure Range:

**Working:** 0 to 3,000 PSI  
(3,000 PSI based on 60 lbs. handle force at 22-1/2 in.)

**Proof:** 4,500 PSI  
**Burst:** 7,500 PSI

**Temperature Range:** -65° to 250° F.

**Sizes:** IST 8 (inlet); IST 4 (outlet)

**Type Ports:** IST Internal Straight Threads.  
915-8D27 (AND 10050), 916-8D27 (MS33649).

**Mounting:** Holes (2) through, .257 in. dia.

#### Materials:

**Body:** Aluminum alloy.  
**Piston Rod:** Stainless steel type 420.  
**Poppets:** Stainless steel type 303.  
**Springs:** Stainless steel type 18-8.  
**Molded Seals:** Synthetic rubber.  
**Back-up Rings:** PTFE.  
**Scraper:** Brass.  
**O-Rings:** Synthetic rubber.

**Type:** Double-acting.

#### Displacement:

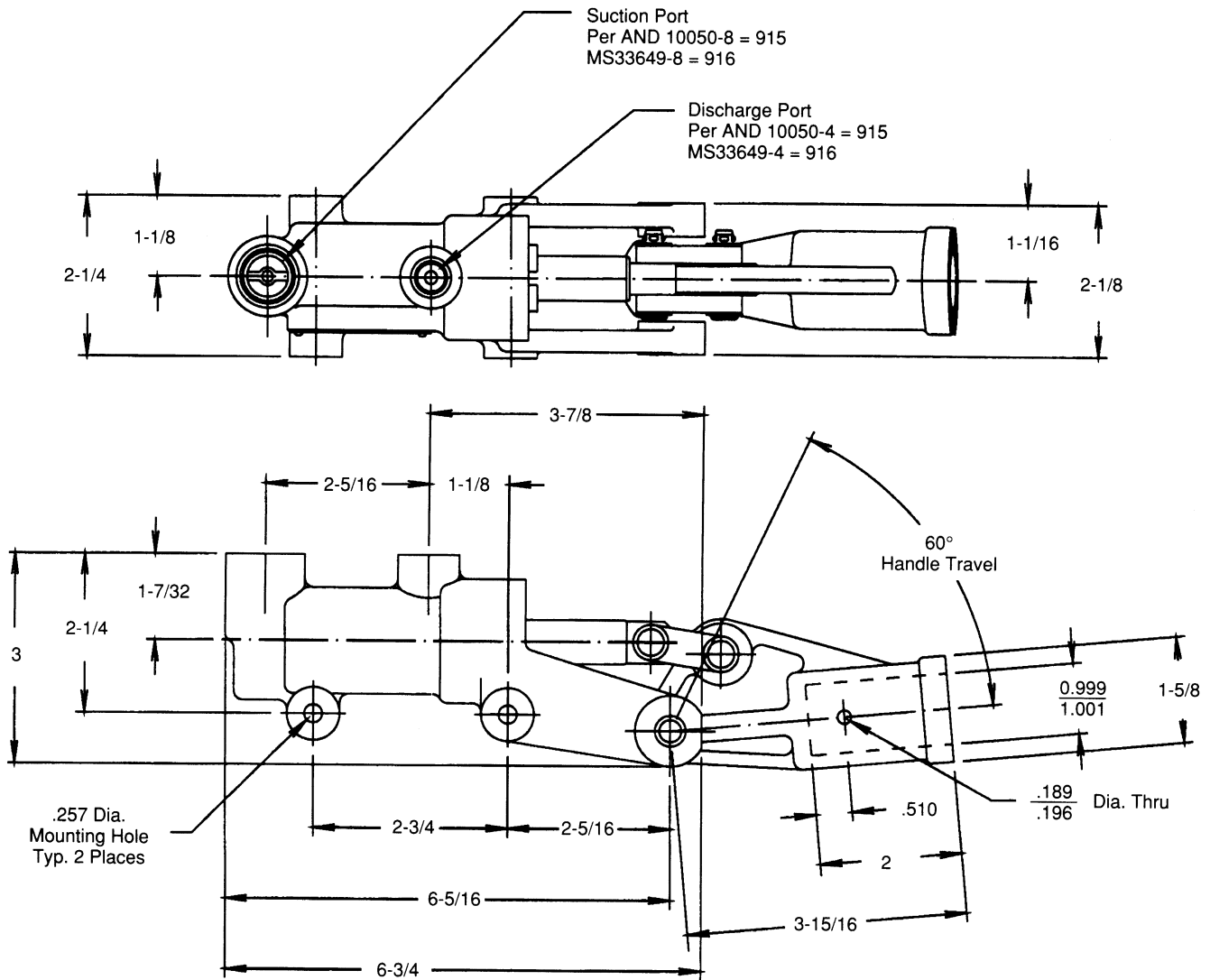
.7 cu. in. minimum per cycle (2 strokes).

**Operating arc:** 60°.

**Handle:** Not furnished.

**Weight:** 2.13 lbs.

### Dimensions



### Interpretation of Valve Number

