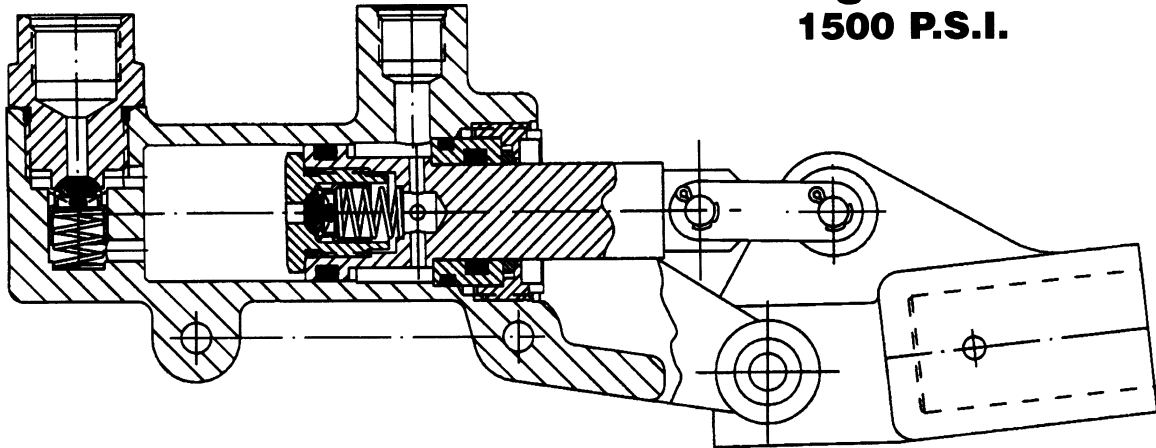
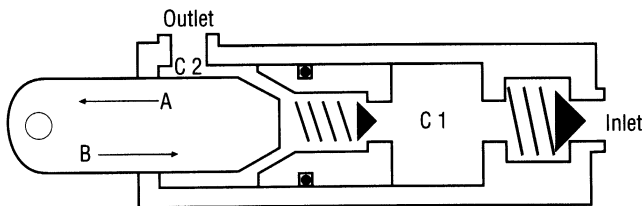


Catalog Series 914
1500 P.S.I.**Features**

- Lightweight, double-acting pump delivering 1.25 to 1.50 cubic inch per cycle (2 strokes) up to 1500 PSI.
- Integral resilient seated valves prevent back flow during operation.

Principle of Operation**Piston Stroke — Direction A**

Chamber C1 draws in fluid through INLET while chamber C2 discharges fluid through OUTLET.

Piston Stroke — Direction B

Volume in chamber C1 is transferred to chamber C2. Since chamber C2 holds half the volume of chamber C1, half of the fluid in chamber C2 is discharged through the OUTLET port.

Specifications

Service Applications: Hydraulic oil.

Pressure Range:

Working: 0 to 1,500 PSI
(1500 PSI based on 60 lb. handle force at 22-1/2 in.)

Proof: 2,250 PSI

Burst: 3,750 PSI

Temperature Range: -65° to 250° F.

Sizes: IST 8 (inlet); IST 6 (outlet)

Type Ports:

IST Internal Straight Threads, AND 10050.

Mounting: Holes (2) through, .257 in. dia.

Materials:

Body: Aluminum alloy.
Piston: Steel.
Poppets: Stainless steel type 303.
Springs: Stainless steel AMS5688.
Molded Seals: Synthetic rubber.
Back-up Rings: PTFE.
Scraper: Brass.
O-Rings: Synthetic rubber.

Type: Double-acting.

Displacement:

1.25/1.5 cu. in. per cycle (2 strokes).

Operating arc: 60° maximum.

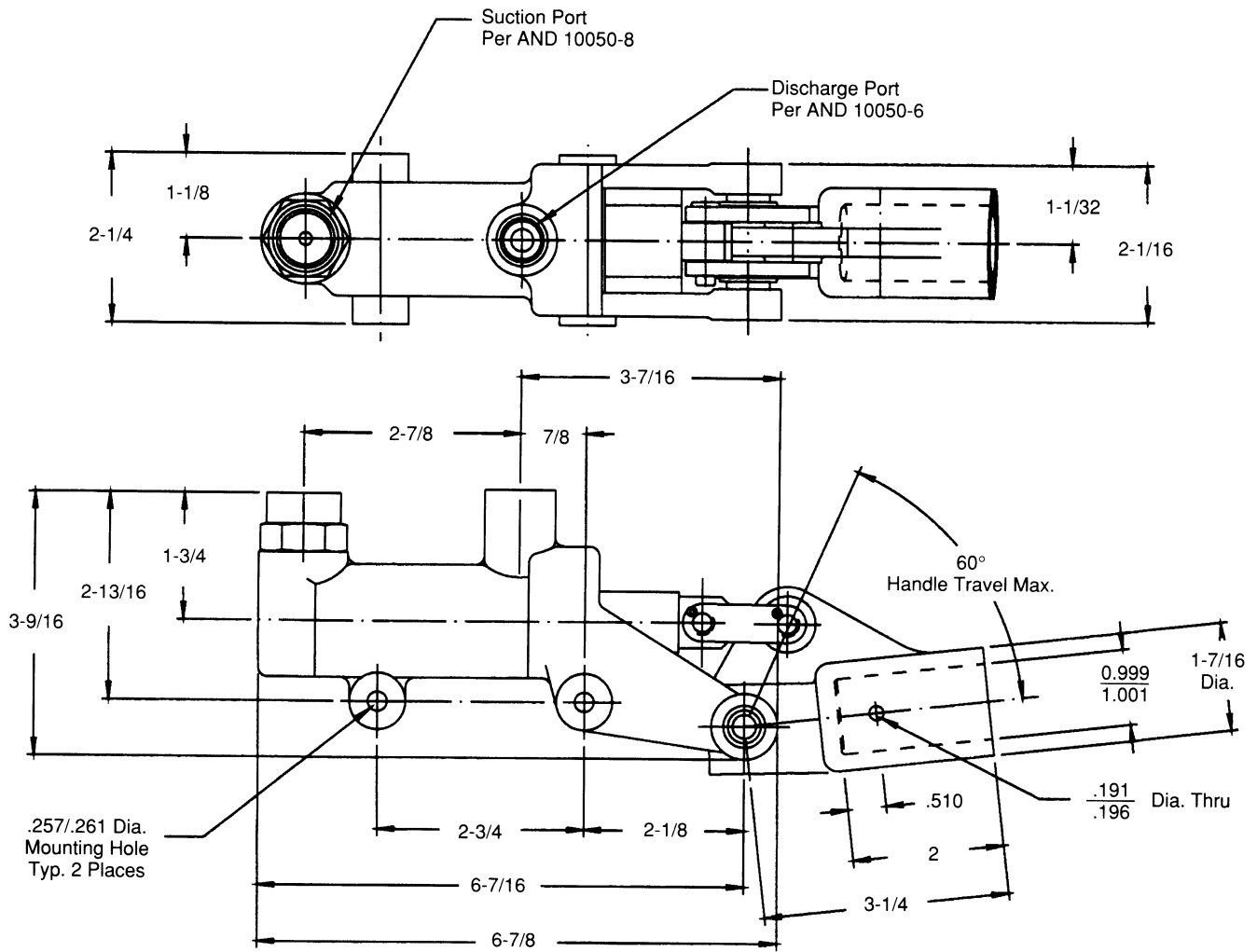
Handle:

Not furnished. Available on special order.

Weight: 2.25 lbs.

H

Dimensions



Interpretation of Valve Number

914	-8	D	27
Catalog Number	Size and Type Ports	Materials	O-Ring Code
914 Hand Pump to 1500 P.S.I.	8 IST Inlet 6 IST Outlet	D Aluminum Alloy	27 MIL-P-25732

