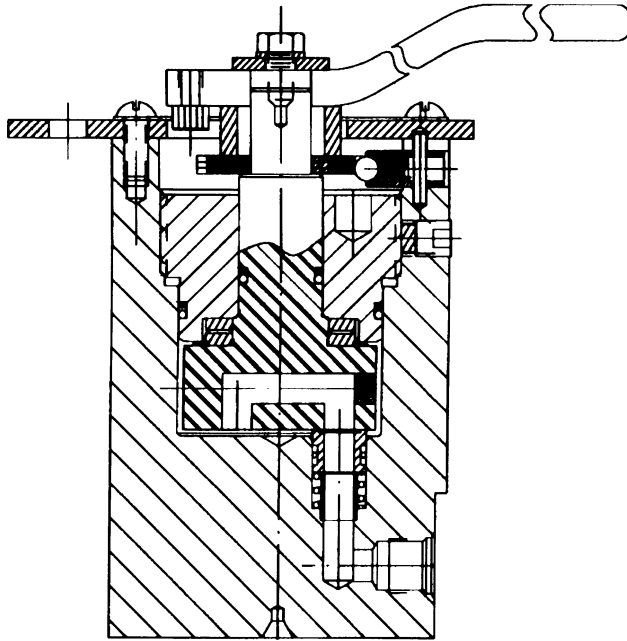


Catalog Series 8900

Specifications



Features

- Shear-type positive seal.
- Zero leakage (1 drop per min. per pressurized port).
- High contamination tolerance.
- Standard valves are interflow.
- Long life due to wiping action of seals and disk.
- Low turning torque.
- Panel mounting is standard.

Service Applications:

Lubricated air, hydraulic oil, and water. Water valves require the use of waterproof lubricant. For case pressure or exhaust port pressure applications above 250 PSI, consult factory.

Pressure Range:

Working: 10,000 PSI
Proof: 15,000 PSI
Burst: 32,000 PSI

Temperature Range:

-40° to +250° F.
Higher on special order.

Materials:

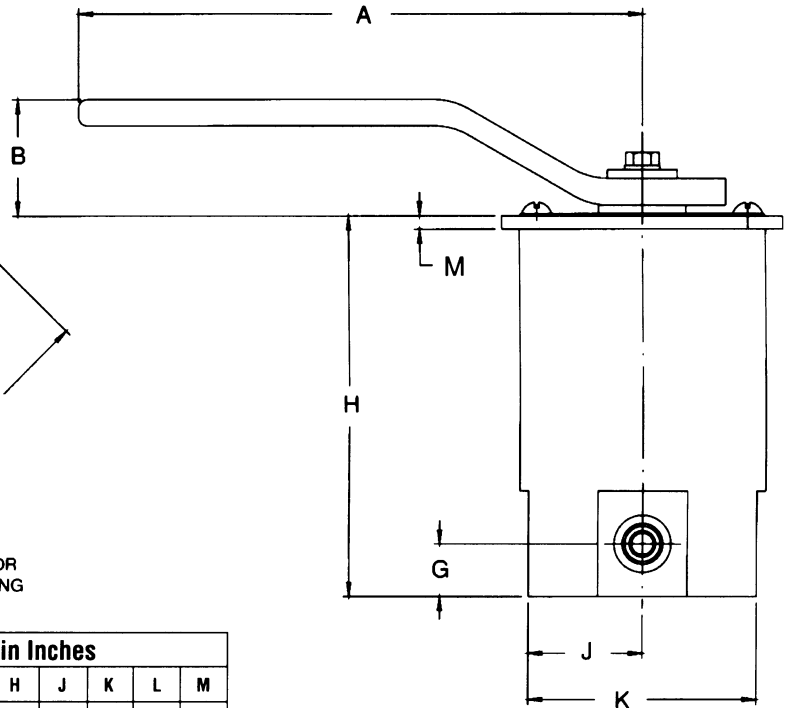
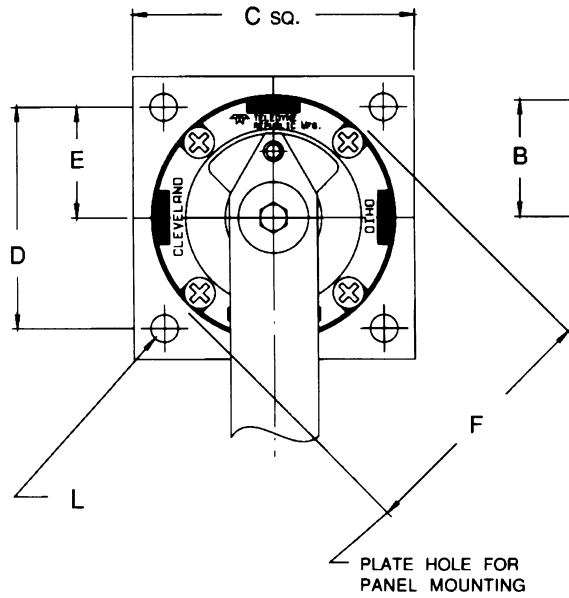
Body and Cap: 303 stainless steel.
Disk: 440 stainless steel.
Shaft: 440 stainless steel.
Seals: 440 stainless steel.
Springs seals: Stainless steel.
O-rings: Synthetic rubber compatible with media.
Back-up rings: PTFE.
Handle: Steel, cadmium plated.
Detent Plate: Steel, cadmium plated.
Mounting Plate: Steel, cadmium plated.

Porting:

Side.
NPT: Pipe threads.
Sizes: 1/4, 3/8, 1/2, 3/4, & 1".
IST: Internal straight threads, per AND 10050.
Sizes: 6, 8, 10, 12, & 16.
SAE: Straight threads.
Sizes: #6, #8, #10, #12, & #16.

Valve Size			Weight Lbs.	CV Factor	Flow Passage Diameter	Handle Pull-Lbs.
SAE	Tube	Pipe				
# 6	6	1/4	15	1.2	.312 In.	22.5
# 8	8	3/8		1.3		
# 10	10	1/2		1.4		
# 12	12	3/4	22	2.5	.437 In.	
# 16	16	1		2.6		

Dimensions



Valve Size			All Dimensions are in Inches											
SAE	Tube	Pipe	A	B	C	D	E	F	G	H	J	K	L	M
# 6	6	1/4												
# 8	8	3/8	8	1 5/8	4	3 1/8	1 9/16	3 5/8	3/4	5 3/8	1 5/8	3 1/4	25/64	3/16
#10	10	1/2												
#12	12	3/4	8	1 1/2	4 1/2	3 17/32	1 49/64	4 1/8	1	6 7/16	1 3/4	3 1/2	25/64	3/16
#16	16	1												

Interpretation of Valve Number

89 5 1 - 1/4 H SS 2

Prefix Options	10,000 PSI Series	Flow Pattern	Type of Porting	Size	Service Media	Materials	O-Ring Code	Suffix Options
See Option Page for Complete List	1 2-Way Shut-Off 	1 Side Ported	1/4 NPT	A Lubricated Air	SS 300 Series Stainless Steel	2 Nitrile	See Option Page for Complete List	
	2 3-Way 		3/8 NPT	H Hydraulic Oil		28 Fluorocarbon		
	4 4-Way Closed Center 		1/2 NPT	W Water		52 EPR		
	5 4-Way Tandem Center 		3/4 NPT			Others Available Per. Request		
			1 NPT					
			6 IST					
			8 IST					
			10 IST					
			12 IST					
			16 IST					
			106 SAE #6					
			108 SAE #8					
			110 SAE #10					
			112 SAE #12					
			116 SAE #16					

