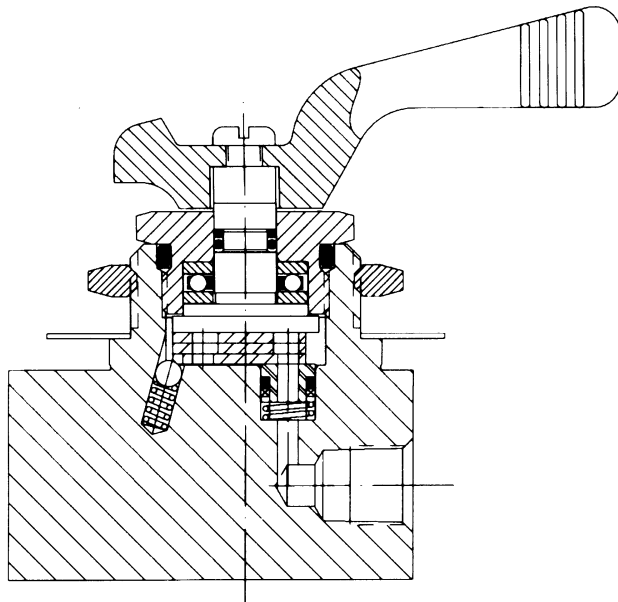


Catalog Series 8400E

Specifications



Features

- Shear-type positive seal.
- Zero leakage (1 drop per min. per pressurized port).
- High contamination tolerance.
- Standard valves are interflow; non-interflow valves are available.
- Long life due to wiping action of seals and disk.
- Low turning torque.
- Panel mounting is standard.

Service Applications:

Lubricated air, hydraulic oil, and other services on special order. For case pressure or exhaust port pressure applications above 250 PSI, consult factory.

Pressure Range:

Working: 3,000 PSI
Proof: 4,500 PSI
Burst: 7,500 PSI

Temperature Range:

-40° to +250° F.
Higher on special order.

Materials:

Body and Cap: Aluminum alloy or steel.
Disk: 440 stainless steel.
Shaft: 303 stainless steel.
Seals: 440 stainless steel.
Stainless steel.
O-rings: Synthetic rubber compatible with media.
Back-up rings: PTFE.
Handle: Steel, aluminum and plastic.
Finish: Paint or anodize.
Stop Pin: Steel

Porting:

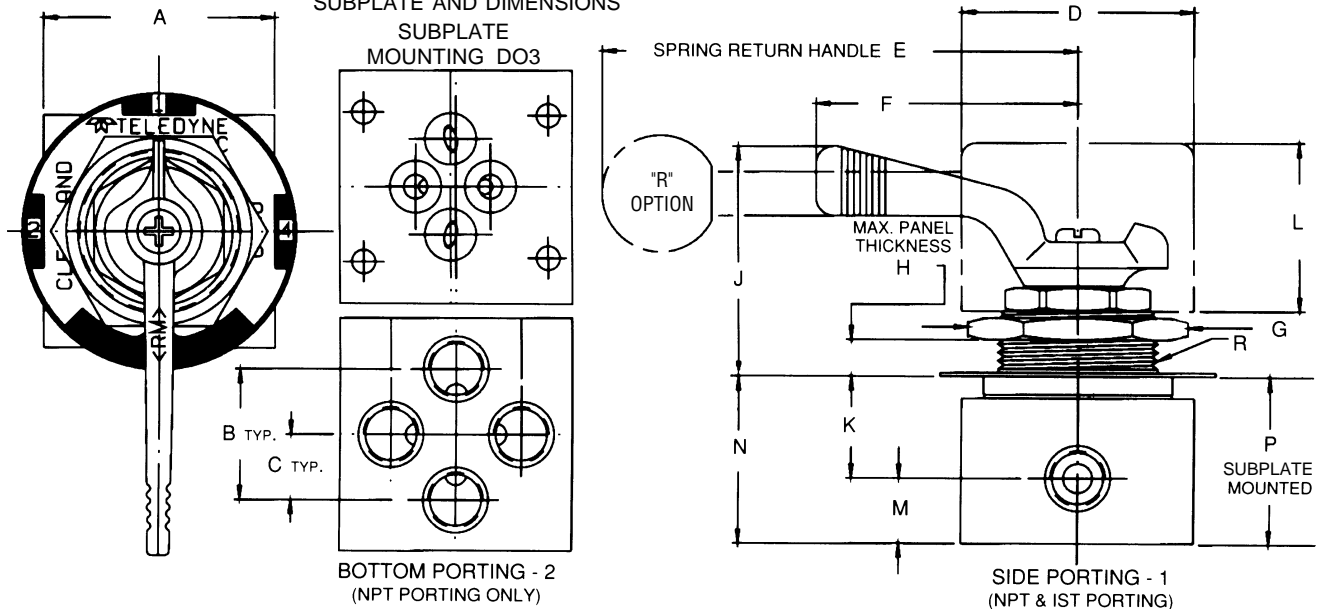
NPT: Pipe threads.
Sizes: 1/8, 1/4. Bottom or side.
IST: Internal straight threads, per AND 10050.
Sizes: 4 & 6. Side only.
SAE: Straight threads.
Sizes: #4 & #6. Side only.

Sub-Plate Mounting: Size 6

| Valve Size | | | | Weight Lbs. | | CV Factor P. to A. or P. to B. | | Flow Passage Diameter | | Handle Pull-Lbs. | | | | | |
|------------|-----|------|------|-------------|-------|-----------------------------------|--------|--------------------------|----------|------------------|-----|--------|-----|--------|-----|
| Sub-Plate | SAE | Tube | Pipe | Steel | Alum. | 8400E | N8400E | 8400E | N8400E | 8400E | | N8400E | | R8400E | |
| | | | | | | | | | | Air | Oil | Air | Oil | Air | Oil |
| Size 6 | # 4 | 4 | 1/8 | 1.8 | 3/4 | .26 | .09 | .125 In. | .073 In. | 10 | 12 | 14 | 16 | 8 | 8 |
| | # 6 | 6 | 1/4 | 1.8 | 3/4 | .29 | .09 | .125 In. | .073 In. | 10 | 12 | 14 | 16 | 8 | 8 |

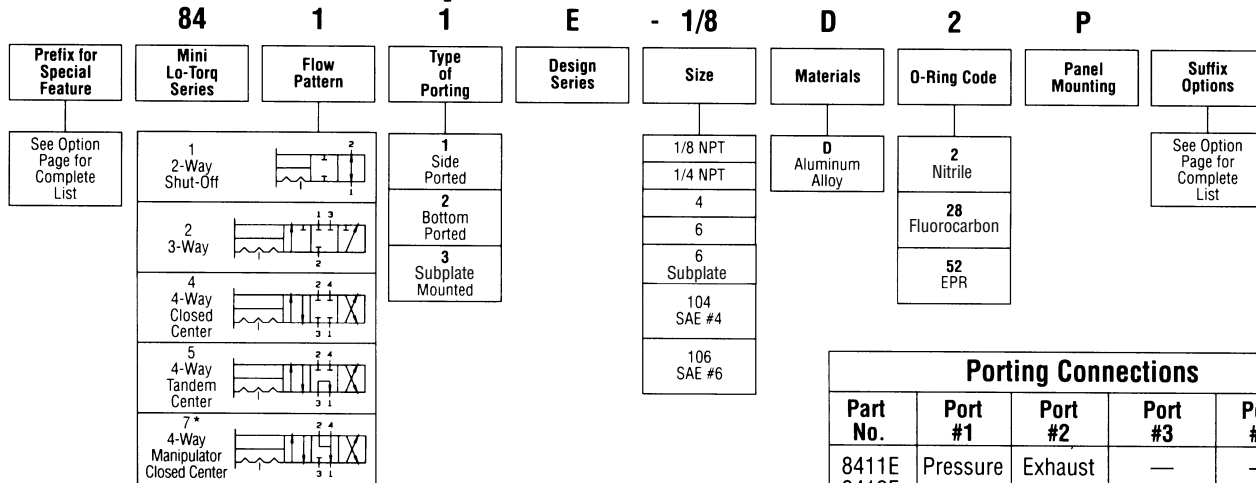
Dimensions

PER ANSI/B93, SEE PAGE D-21 FOR
SUBPLATE AND DIMENSIONS



| Valve Size | | | | All Dimensions are in Inches | | | | | | | | | | | | | | |
|------------|-----|------|------|------------------------------|-------|------|---|---------|-------|-------|------|---------|-----|--------|------|--------|-------|-------------------|
| Sub-Plate | SAE | Tube | Pipe | A | B | C | D | E | F | G | H | J | K | L | M | N | P | R |
| | # 4 | 4 | 1/8 | 2 | 1 1/8 | 9/16 | 2 | 4 13/16 | 2 1/4 | 1 5/8 | 5/16 | 1 15/16 | 7/8 | 1 7/16 | 9/16 | 1 7/16 | 1 1/8 | 1 3/8 - 14 Thread |
| Size 6 | # 6 | 6 | 1/4 | 2 | 1 1/8 | 9/16 | 2 | 4 13/16 | 2 1/4 | 1 5/8 | 5/16 | 1 15/16 | 7/8 | 1 7/16 | 9/16 | 1 7/16 | 1 1/8 | 1 3/8 - 14 Thread |

Interpretation of Valve Number



NOTES:

- * 1. P/N 8473E connects pressure ports to cylinder ports in the center position when mounted on a standard DO3 Subplate.
- 2. Other port connections that may be used by the customer are his options.

| Part No. | Port #1 | Port #2 | Port #3 | Port #4 |
|----------|----------|----------|----------|----------|
| 8413E | Exhaust | Pressure | — | — |
| 8423E | Cylinder | Pressure | Cylinder | — |
| 8443E | Pressure | Cylinder | Exhaust | Cylinder |
| 8453E | Pressure | Cylinder | Exhaust | Cylinder |
| 8473E* | Pressure | Cylinder | Exhaust | Cylinder |

| Part No. | Port #1 | Port #2 | Port #3 | Port #4 |
|------------------|----------|----------|----------|----------|
| 8411E 8412E | Pressure | Exhaust | — | — |
| 8421E 8422E | Pressure | Cylinder | Exhaust | — |
| 8441E 8442E | Exhaust | Cylinder | Pressure | Cylinder |
| 8451E 8452E | Exhaust | Cylinder | Pressure | Cylinder |
| 8471E* 8472E* | Exhaust | Cylinder | Pressure | Cylinder |
| 8481E 8482E | Exhaust | Cylinder | Pressure | Cylinder |