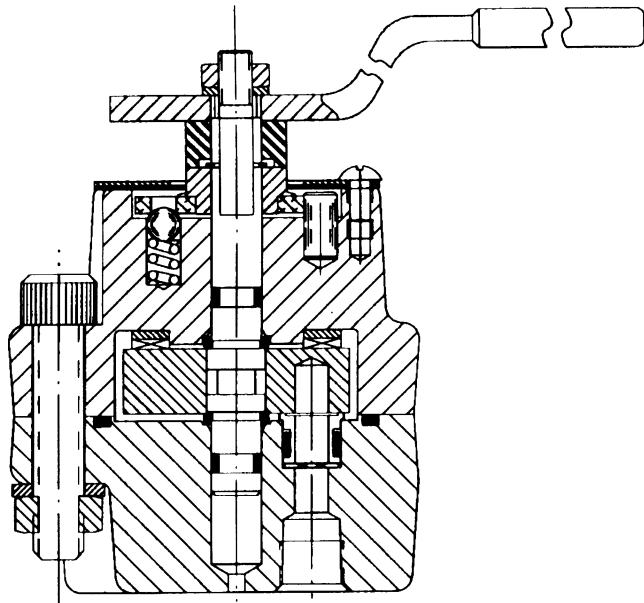


Catalog Series 8200 Heavy Duty

Specifications



Features

- Shear-type positive seal.
- Zero leakage (1 drop per min. per pressurized port).
- High contamination tolerance.
- Standard valves are interflow; non-interflow valves are available through 1/2" size.
- Long life due to wiping action of seals and disk.
- Low turning torque.

Service Applications:

Lubricated air, hydraulic oil, and water. For case pressure or exhaust port pressure applications above 250 PSI, consult factory.

Pressure Range:

Working: 3,000 PSI, liquids 2,000 PSI, air
Proof: 4,500 PSI, liquids 3,000 PSI, air
Burst: 7,500 PSI

Temperature Range:

-40° to +250° F.
 Higher on special order.

Materials:

Body and Cap: Steel or ductile iron.
Disk: 440 stainless steel.
Shaft: 416 stainless steel.
Seals: 440 stainless steel.
Springs seals: Stainless steel.
O-rings: Synthetic rubber compatible with media.
Back-up rings: PTFE.
Handle: Steel.
Finish: Paint.

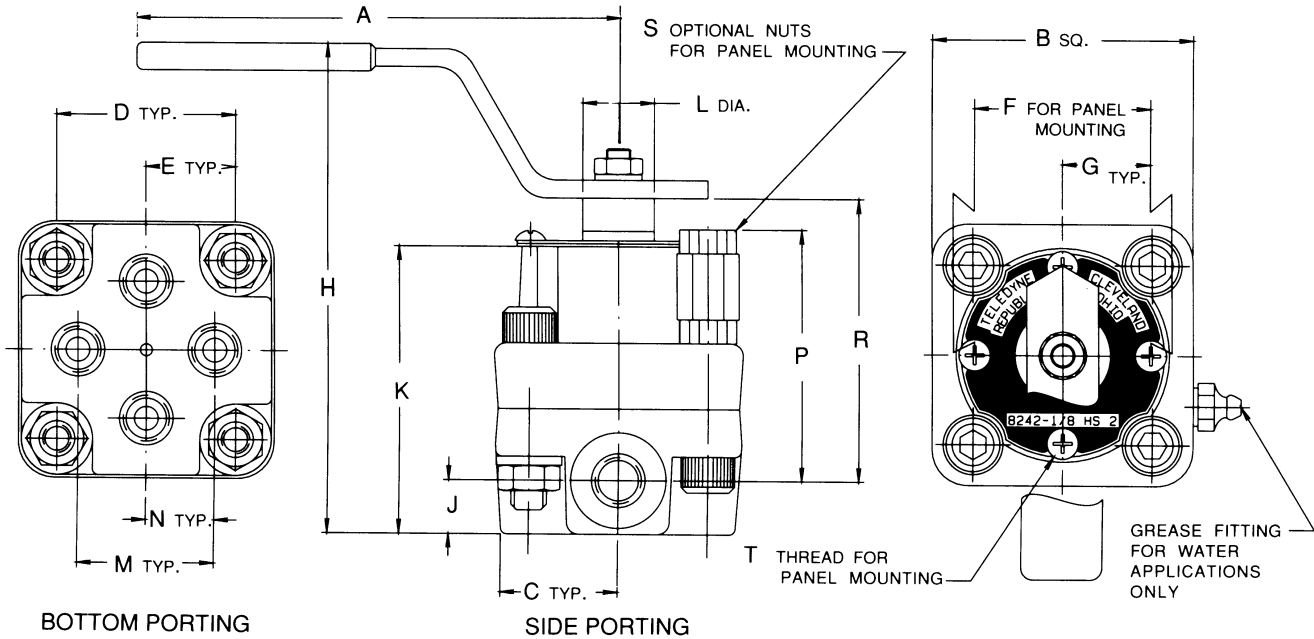
Note: Steel bodies and caps for water or air service are bronze plated. Water service valves are equipped with grease fittings and require periodic lubrication with a waterproof grease.

Porting:

NPT: Pipe threads.
Sizes: 1/8, 1/4, 3/8, 1/2, 3/4, & 1".
IST: Internal straight threads, per AND 10050.
Sizes: 4, 6, 8, 10, 12, & 16.
SAE: Straight threads.
Sizes: #4, #6, #8, #10, #12, & #16.

Valve Size			Weight Lbs.	CV Factor P. to A. or P. to B.		Flow Passage Diameter		Handle Pull-Lbs.			
SAE	Tube	Pipe		8200	N8200	8200	N8200	8200		N8200	
			Steel					Air	Oil	Air	Oil
# 4	4	1/8	5-1/2	.95	.30	.250 In.	.156 In.	13	15	13	18
# 6	6	1/4		.95	.32						
# 8	8	3/8	9.17	2.8	.74	.437 In.	.250 In.	15	18	15	21
# 10	10	1/2		3.0	.77						
# 12	12	3/4	24-1/4	9.5	N/A	.750 In.	N/A	15	18	N/A	N/A
# 16	16	1		9.9	N/A						

Dimensions



BOTTOM PORTING

SIDE PORTING

Valve Size			All Dimensions are in Inches																
SAE	Tube	Pipe	A	B	C	D	E	F	G	H	J	K	L	M	N	P	R	S	T
# 4	4	1/8	5	2 5/8	1 5/16	1.875	.937	1.678	.839	5 1/8	9/16	3	3/4	1 7/16	23/32	2 5/8	2 15/16	3/8-16NC	10-24NC
# 6	6	1/4	7	3 1/4	1 5/8	2.375	1.187	1.843	.921	6 17/32	11/16	4 3/32	15/16	1 15/16	31/32	3 1/2	3 29/32	3/8-16NC	10-24NC
# 8	8	3/8	10	4 5/8	2 5/16	3.625	1.812	2.252	1.126	8 23/32	1	5 9/32	1 1/8	2 3/4	1 3/8	4 13/16	5 5/32	1/2-13NC	1/4-20NC
#10	10	1/2	10	4 5/8	2 5/16	3.625	1.812	2.252	1.126	8 23/32	1	5 9/32	1 1/8	2 3/4	1 3/8	4 13/16	5 5/32	1/2-13NC	1/4-20NC
#12	12	3/4	10	4 5/8	2 5/16	3.625	1.812	2.252	1.126	8 23/32	1	5 9/32	1 1/8	2 3/4	1 3/8	4 13/16	5 5/32	1/2-13NC	1/4-20NC
#16	16	1	10	4 5/8	2 5/16	3.625	1.812	2.252	1.126	8 23/32	1	5 9/32	1 1/8	2 3/4	1 3/8	4 13/16	5 5/32	1/2-13NC	1/4-20NC

Interpretation of Valve Number

Prefix for Special Feature	3000 PSI Series	Flow Pattern	Type of Porting	Size	Service Media	Materials	O-Ring Code	Suffix Options
See Option Page for Complete List	0 4-Way All Ports Open Center	1 2-Way Shut-off	1 Side Ported	104 SAE #4	A Lubricated Air	S Steel Ductile Iron	2 Nitrile	See Option Page for Complete List
	4 4-Way Closed Center	4 4-Way Tandem Center	2 Bottom Ported	106 SAE #6	H Hydraulic Oil		28 Fluorocarbon	
	5 4-Way Tandem Center	7 4-Way Manipulator Closed Center		108 SAE #8	W Water		52 EPR	
	8 4-Way Manipulator/ Open Center	8 4-Way Manipulator/ Open Center		110 SAE #10	A1 Lubricated Air 80T Only 1 Inlet		Others Available -Per. Request	
	9 3-Way	9 3-Way		112 SAE #12	A3 Lubricated Air 80T Only 3 Inlets			
	T 3-Way 1 Inlet & 3 Outlets or 3 Inlets & 1 Outlet	T 3-Way 1 Inlet & 3 Outlets or 3 Inlets & 1 Outlet		116 SAE #16				

NOTE: When ordering this flow pattern for air applications, specify if valve is to be used as 1 Inlet, 3 Outlets or 3 Inlets, 1 Outlet.

Non-Interflow available only for flow patterns #4 and #5 and sizes up through 1/2 or 10 only.