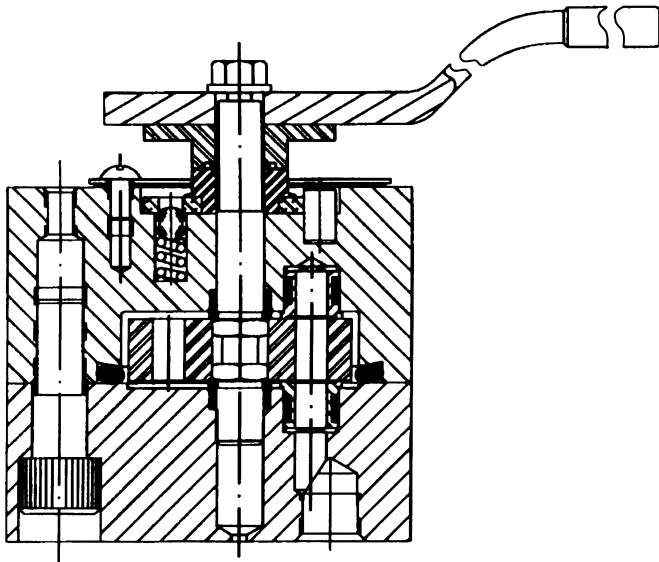


Catalog Series 8100E

Specifications



Features

- Shear-type positive seal.
- Zero leakage (1 drop per min. per pressurized port).
- High contamination tolerance.
- Standard valves are interflow; non-interflow valves are available through 1/2" size.
- Long life due to wiping action of seals and disk.
- Low turning torque.
- Panel mounting is standard.

Service Applications:

Lubricated air, hydraulic oil, and water. For case pressure or exhaust port pressure applications above 250 PSI, consult factory.

Pressure Range:

Working: 6,000 PSI, liquids 4,000 PSI, air
Proof: 9,000 PSI, liquids 6,000 PSI, air
Burst: 15,000 PSI

Temperature Range:

-40° to +250° F.
 Higher on special order.

Materials:

Body and Cap: Steel.
Disk: 440 stainless steel.
Shaft: 416 stainless steel.
Seals: 440 stainless steel.
Springs seals: Stainless steel.
O-rings: Synthetic rubber compatible with media.
Back-up rings: PTFE.
Handle: Steel.
Finish: Paint.

Note: Steel bodies and caps for water or air service are bronze plated. Water service valves are equipped with grease fittings and require periodic lubrication with a waterproof grease.

Porting:

Bottom or side.
NPT: Pipe threads.
Sizes: 1/8, 1/4, 3/8, 1/2, 3/4, & 1".
IST: Internal straight threads, per AND 10050.
Sizes: 4, 6, 8, 10, 12, & 16.
SAE: Straight threads.
Sizes: #4, #6, #8, #10, #12, & #16.

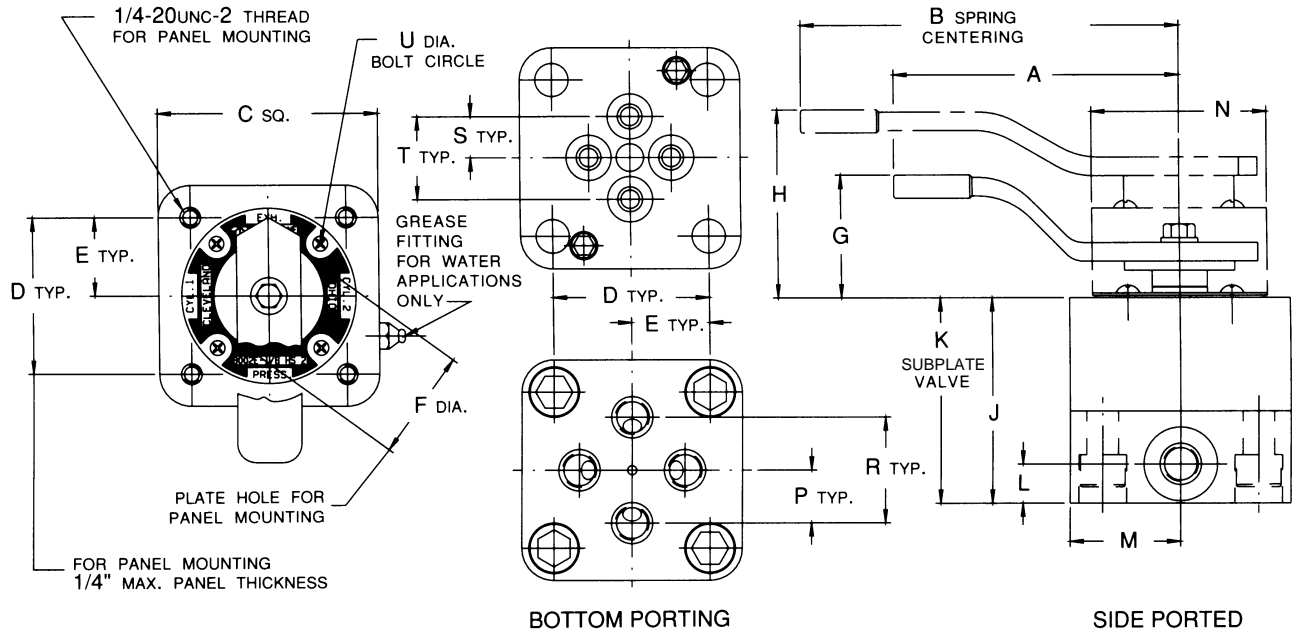
Sub-Plate Mounting:

Sizes: 6, 10, & 16.

Valve Size				Weight Lbs.	CV Factor P. to A. or P. to B.		Flow Passage Diameter		Handle Pull-Lbs.					
Sub-Plate	SAE	Tube	Pipe		8100E	N8100E	8100E	N8100E	8100E		N8100E		R8100E	
									Air	Oil	Air	Oil	Air	Oil
Size 6	# 4	4	1/8	5-1/2	.85	.30	.250 In.	.156 In.	18	15	30	20	17	16
	# 6	6	1/4		1.00	.32								
Size 10	# 8	8	3/8	10	1.10	.35	.250 In.	.156 In.	15	13	25	17	22	19
	# 10	10	1/2		1.20	.39								
Size 16	# 12	12	3/4	22	3.00	N/A	.437 In.	N/A	18	15	N/A	N/A	28	26
	# 16	16	1		3.20	N/A								

Dimensions

SUBPLATE MOUNTING



BOTTOM PORTING

SIDE PORTED

Valve Size				All Dimensions are in Inches																	Subplate Mounted		
Sub-Plate	SAE	Tube	Pipe	A	B	C	D	E	F	G	H	J	K	L	M	N	P	R	S	T	U	Mt'g. Bolt	Torq.
Size 6	#4	4	1/8	6	8	3	2 1/8	1 1/16	1	2 1/8	2 21/32	2 27/32	2 21/64	17/32	1 1/2	2 3/8	23/32	1 7/16	9/16	1 1/8	2	7/16 - 20NF 2 x 2 1/2 Lg.	865 In. - Lbs.
	#6	6	1/4																				
Size 10	#8	8	3/8	7	10	3 1/2	2 1/2	1 1/4	1	2 3/8	3 7/64	3 37/64	2 55/64	49/64	1 3/4	2 15/16	13/16	1 5/8	9/16	1 1/8	2 1/2	7/16 - 20NF 2 x 3 Lg.	865 In. - Lbs.
	#10	10	1/2																				
Size 16	#12	12	3/4	10	12	4 1/2	3 3/16	1 19/32	1 3/8	2 15/16	3 3/8	4 23/32	3 45/64	1	2 1/4	3 11/16	1 3/8	2 3/4	13/16	1 5/8	3 3/16	5/8 - 18NF 2 x 3 1/2 Lg.	3,250 In. - Lbs.
	#16	16	1																				

Interpretation of Valve Number

