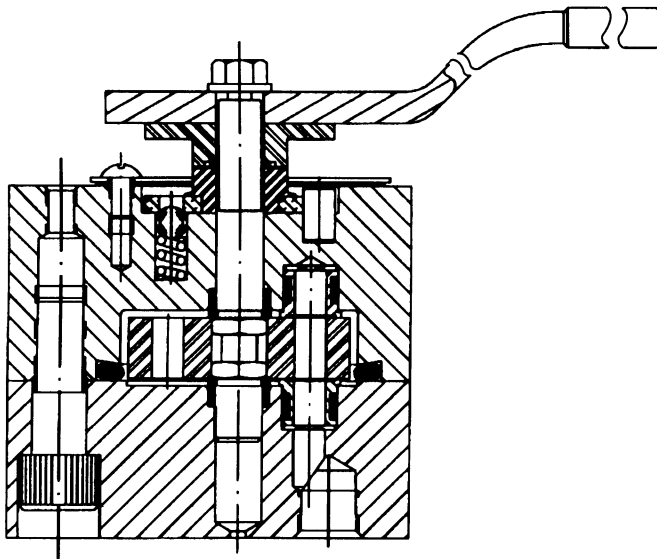


Catalog Series 8000E

Specifications



Service Applications:

Lubricated air, hydraulic oil, and water. For case pressure or exhaust port pressure applications above 250 PSI, consult factory.

Pressure Range:

Working: 3,000 PSI, liquids 2,000 PSI, air
Proof: 4,500 PSI, liquids 3,000 PSI, air
Burst: 7,500 PSI

Temperature Range:

-40° to +250° F.
 Higher on special order.

Materials:

Body and Cap: Steel.
Disk: 440 stainless steel.
Shaft: 416 stainless steel.
Seals: 440 stainless steel.
Springs seals: Stainless steel.
O-rings: Synthetic rubber compatible with media:
Back-up rings: PTFE.
Handle: Steel.
Finish: Paint.

Note: Steel bodies and caps for water or air service are bronze plated.
 Water service valves are equipped with grease fittings and require periodic lubrication with a waterproof grease.

Features

- Shear-type positive seal.
- Zero leakage (1 drop per min. per pressurized port).
- High contamination tolerance.
- Standard valves are interflow; non-interflow valves are available through 1/2" size.
- Long life due to wiping action of seals and disk.
- Low turning torque.
- Panel mounting is standard.

Porting:

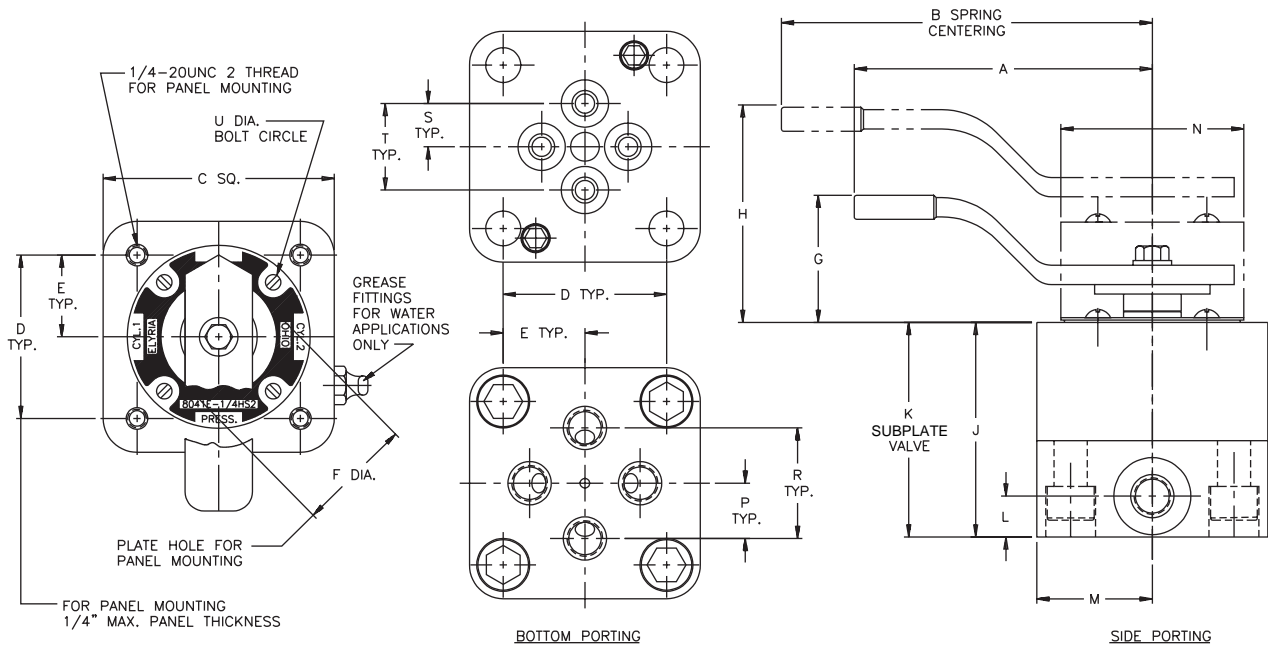
Bottom or side.
NPT: Pipe threads.
Sizes: 1/8, 1/4, 3/8, 1/2, 3/4, & 1".
IST: Internal straight threads, per AND 10050.
Sizes: 4, 6, 8, 10, 12, & 16.
SAE: Straight threads.
Sizes: #4, #6, #8, #10, #12, & #16.

Sub-Plate Mounting:

Sizes: 6, 10, & 16.

Valve Size				Weight Lbs.	CV Factor P. to A. or P. to B.		Flow Passage Diameter		Handle Pull-Lbs.					
Sub-Plate	SAE	Tube	Pipe		8000E	N8000E	8000E	N8000E	8000E		N8000E		R8000E	
									Air	Oil	Air	Oil	Air	Oil
Size 6	# 4	4	1/8	5-1/2	.85	.30	.250 In.	.156 In.	10	9	13	10	15	14
	# 6	6	1/4		1.0	.32								
Size 10	# 8	8	3/8	10	2.5	.74	.437 In.	.250 In.	15	13	18	14	21	18
	# 10	10	1/2		2.8	.77								
Size 16	# 12	12	3/4	22	7.5	N/A	.750 In.	N/A	18	15	N/A	N/A	30	25
	# 16	16	1		8.5	N/A								

Dimensions SUBPLATE MOUNTING



Valve Size				All Dimensions are in Inches																	Subplate Mounted		
Sub-Plate	SAE	Tube	Pipe	A	B	C	D	E	F	G	H	J	K	L	M	N	P	R	S	T	U	Mt'g. Bolt	Torq.
Size 6	#4	4	1/8	6	8	3	2 1/8	1 1/16	1	2 1/8	2 21/32	2 27/32	2 21/64	17/32	1 1/2	2 3/8	23/32	1 7/16	9/16	1 1/8	2	7/16 - 20NF 2 x 2 1/2 Lg.	700 In. - Lbs.
	#6	6	1/4	6	8	3	2 1/8	1 1/16	1	2 1/8	2 21/32	2 27/32	2 21/64	17/32	1 1/2	2 3/8	23/32	1 7/16	9/16	1 1/8	2	7/16 - 20NF 2 x 2 1/2 Lg.	700 In. - Lbs.
Size 10	#8	8	3/8	7	10	3 1/2	2 1/2	1 1/4	1	2 3/8	3 7/64	3 37/64	2 55/64	49/64	1 3/4	2 15/16	31/32	1 15/16	13/16	1 5/8	2 1/2	7/16 - 20NF 2 x 3 Lg.	700 In. - Lbs.
	#10	10	1/2	7	10	3 1/2	2 1/2	1 1/4	1	2 3/8	3 7/64	3 37/64	2 55/64	49/64	1 3/4	2 15/16	31/32	1 15/16	13/16	1 5/8	2 1/2	7/16 - 20NF 2 x 3 Lg.	700 In. - Lbs.
Size 16	#12	12	3/4	10	12	4 1/2	3 3/16	1 19/32	1 3/8	2 15/16	3 3/8	4 23/32	3 45/64	1	2 1/4	3 11/16	1 3/8	2 3/4	1 11/64	2 11/32	3 3/16	1/2 - 20NF 2 x 4 Lg.	1,370 In. - Lbs.
	#16	16	1	10	12	4 1/2	3 3/16	1 19/32	1 3/8	2 15/16	3 3/8	4 23/32	3 45/64	1	2 1/4	3 11/16	1 3/8	2 3/4	1 11/64	2 11/32	3 3/16	1/2 - 20NF 2 x 4 Lg.	1,370 In. - Lbs.

Interpretation of Valve Number

	80	5	1	E	-	1/8	H	S	2	
Prefix for Special Feature	3000 PSI Series	Flow Pattern	Type of Porting	Design Series	Size	Service Media	Materials	O-Ring Code	Suffix Options	
See Option Page for Complete List	0 4-Way All Ports Open Center		1 Side Ported 2 Bottom Ported 3 Subplate Mounted	104 SAE #4 106 SAE #6 108 SAE #8 110 SAE #10 112 SAE #12 116 SAE #16	1/8 NPT 1/4 NPT 3/8 NPT 1/2 NPT 3/4 NPT 1 NPT 4 IST 6 IST 8 IST 10 IST 12 IST 16 IST	A Lubricated Air H Hydraulic Oil W Water A1 Lubricated Air 80T Only 1 Inlet A3 Lubricated Air 80 T Only 3 Inlets	S Steel	2 Nitrile 28 Fluorocarbon 52 EPR Others Available Per. Request	See Option Page for Complete List	
	1 2-Way Shut-off 4 4-Way Closed Center 5 4-Way Tandem Center 7 4-Way Manipulator Closed Center 8 4-Way Manipulator/Open Center 9 3-Way T 3-Way 1 Inlet & 3 Outlets or 3 Inlets & 1 Outlet			Non-Interflow available only for flow patterns #4 and #5 and sizes up through 1/2 or 10 only.	6 Subplate 10 Subplate 16 Subplate					NOTE: When ordering the "T" flow pattern for air applications, specify if valve is to be used as 1 Inlet, 3 Outlets or 3 Inlets, 1 Outlet.

