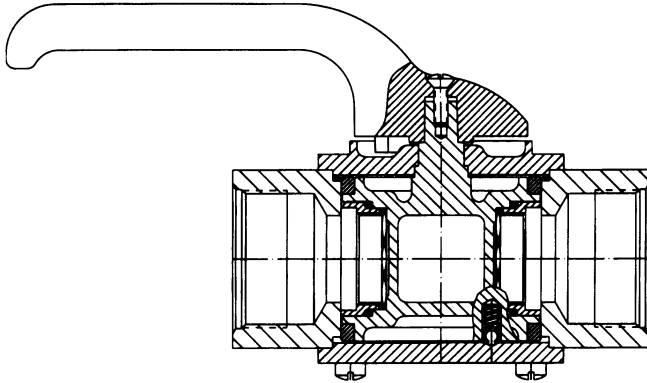


## Catalog Series 742, 743, 744

## Specifications


**C**

## Features

- Features high flow with low pressure drop.
- Compact construction.
- 250 PSI service.
- No lubrication necessary.
- Low turning torque.

### Service Applications:

Hydraulic or pneumatic; available for other services on special order.

### Pressure Range:

**Liquid:** 250 PSI  
**Air:** 20 in hg. vacuum  
to 250 PSI  
**Proof:** 300 PSI

### Temperature Range:

-40° to 225° F.  
Higher temperatures on special order.

**Size:** NPT 1-1/4, 1-1/2; IST 20, 24.

### Type Ports:

NPT Pipe Threads; IST Internal Straight Threads.

**CV Factor:** 1-1/4, 20 = 30  
1-1/2, 24 = 32

### Internal Leakage:

**Liquid:** 2 drops per minute maximum.  
**Air:** 14 bubbles per minute.

### Mounting:

Panel hole diameter 2-9/16"; maximum thickness 1/4"; four 1/4-20UNC-3B tapped holes; top cover plate drilled for bolt clearance.

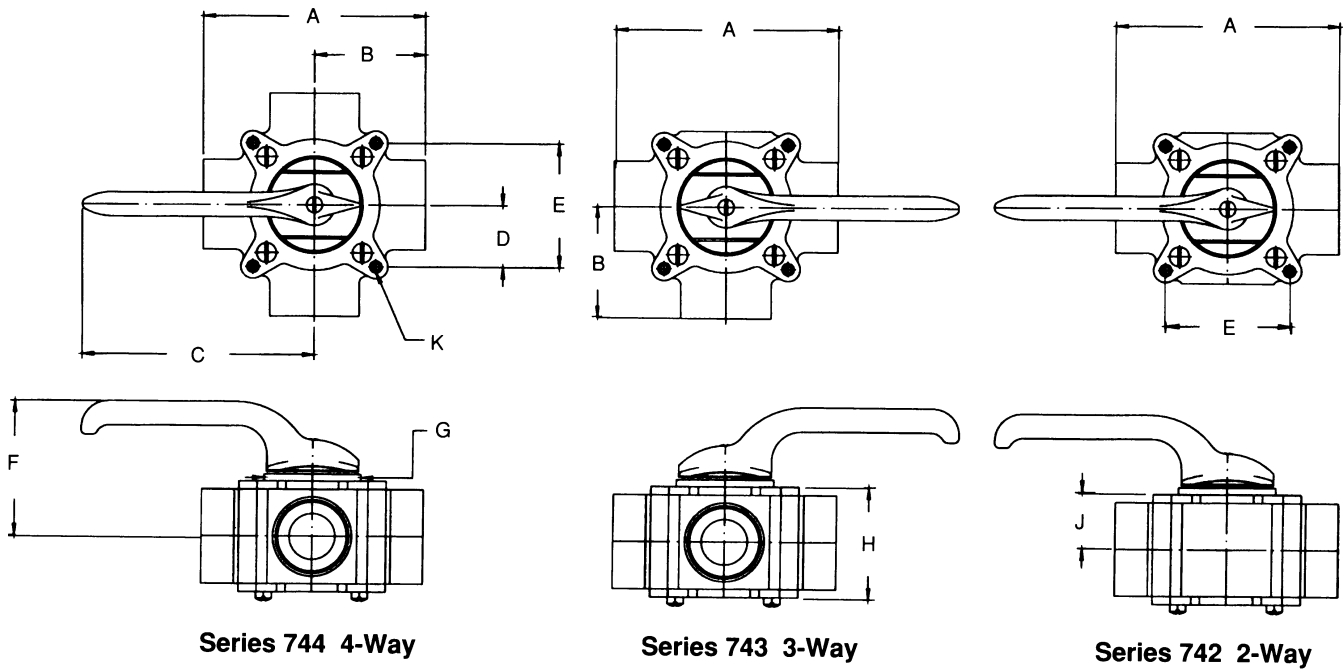
### Materials:

**Body:** Aluminum alloy.  
**Bearings:** Delrin.  
**Port Seals:** PTFE.  
**O-Rings:** Synthetic rubber.

### Weight:

**742:** 3 lbs.  
**743:** 3.4 lbs.  
**744:** 3.7 lbs.

### Dimensions



All Dimensions are in Inches and Typical for All Valves									
A	B	C	D	E	F	G	H	J	K Mounting Holes
5-1/2	2-3/4	6	1.591	3.182	3-1/2	2-1/2 Dia.	2-7/8	1-7/16	1/4-20NC, 4 Plcs.

### Interpretation of Valve Number

