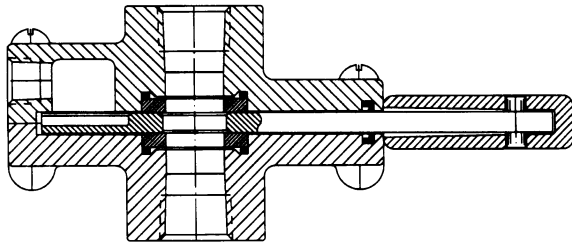


Catalog Series 699

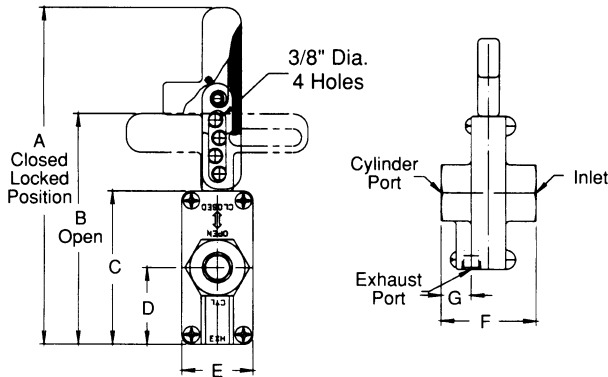
Specifications



Features

- Provides positive air system "lock-out" as required by OSHA.
- Trapped air in system is vented to exhaust when supply is shut off.
- Features four separate lock positions for each work crew's padlock.

Dimensions



All Dimensions Are In Inches

Size	A	B	C	D	E	F	G
3/8 to 1	9-3/4	6-11/16	4-7/16	2-7/32	2-1/16	2-3/4	7/8
1-1/2, 2	16-1/4	10-7/8	7-3/4	3-5/8	3-3/4	3-1/2	1

Service Applications: Air.

Pressure Range:

Working:
 3/8 to 1: 250 PSI
 1-1/2, 2: 125 PSI
Proof:
 3/8 to 1: 375 PSI
 1-1/2, 2: 250 PSI

Temperature Range: -40° to 250° F.

Sizes:

3/8, 1/2, 3/4, 1 with 1/4" exhaust;
 1-1/2, 2 with 1/2" exhaust.

Type Ports: NPT Pipe Threads.

Orifice Size:

3/8 to 1: 11/16"
 1-1/2, 2: 1-11/16".

Internal Leakage: 1 BPM, maximum.

Mounting: In line.

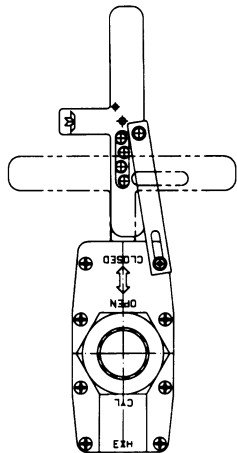
Materials:

Body: 3/8 to 1 aluminum alloy; 1-1/2, 2 grey iron.
Handle Spring: Stainless steel.
Body Seal: Polyethylene.
Slide: Aluminum alloy, anodized.
Slide Seals: Delrin.
Slide-seal Seals: Synthetic rubber.
Handle: Steel.
Body Gasket: Mylar.

Weight:

3/8 to 1: 20 ozs.
 1-1/2, 2: 12 lbs. (approx.)

Interpretation of Valve Number



1-1/2 and 2 Inch Size

699	-1	-3/4	D	2
Catalog Number	Port Position	Size and Type Ports	Materials	O-Ring Code
699 Safety Lockout Valve	1 Inline	3/8 NPT 1/2 NPT 3/4 NPT 1 NPT 1-1/2 NPT 2 NPT	D Aluminum Alloy 3/8" thru 1" S Steel 1-1/2" & 2" Only	2 Nitrile Others Available