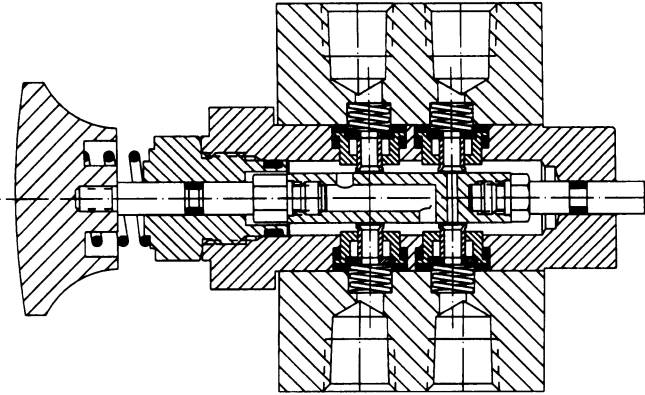


Catalog Series 689B

Specifications



Features

- Zero leakage (1 drop per minute per pressurized port).
- Push valves are ideal for many industrial applications.
- Designed for 1000 PSI lubricated air or 6000 PSI hydraulic service.

Service Applications:

- 1, -5, -7, -11 & -12: Lubricated air.
- 3, -6, -8, -14 & -19: Hydraulic oil.

Pressure Range:

- Working:
- 1, -5, -7 & -11: 1000 PSI maximum
- 3, -6, -8, -14 & -19: 6000 PSI maximum

Temperature Range:

- 40° to 250° F.
- (Higher on special order.)

Sizes:

- NPT 1/4, 3/8 except 4-Way.

Type Ports:

- NPT Pipe Threads AND10053.

CV Factor:

- .28

Internal Leakage:

- Maximum at rated pressure: air 30 cc/min.; oil 1 DPM per pressurized port.

Mounting:

- In line or panel (four 8-32NC-2B holes 3/8" deep. Panel hole 1" diameter 1/2" maximum panel thickness).

Materials:

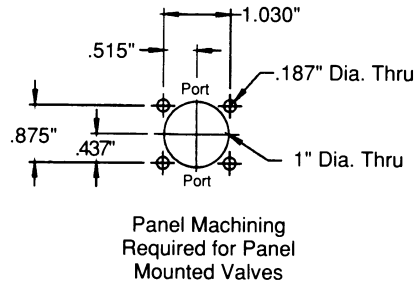
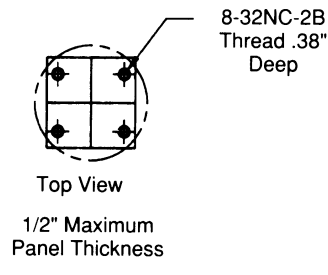
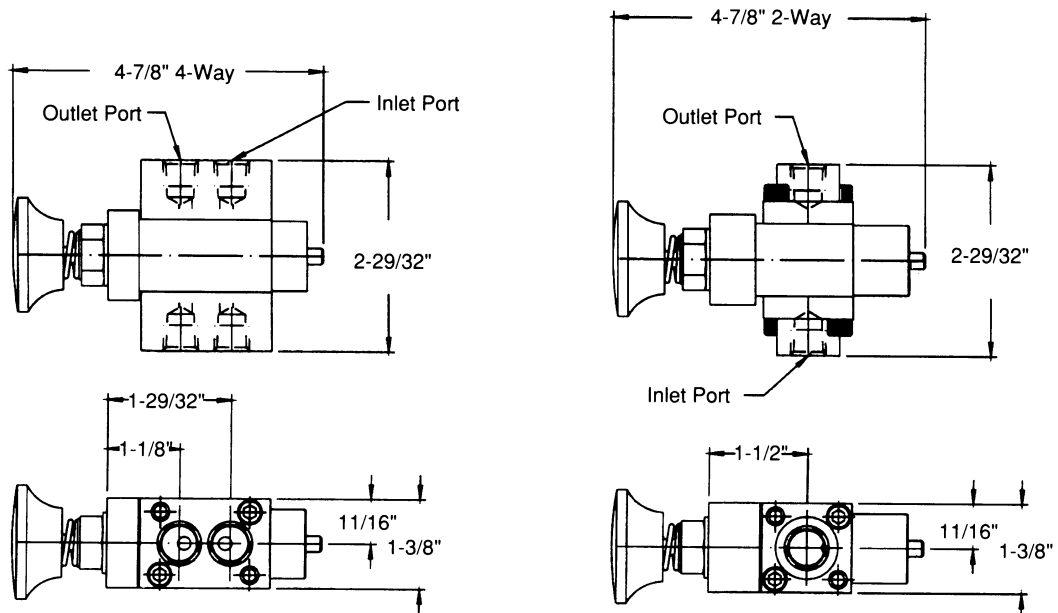
- Body:** Aluminum alloy, anodized.
- Knob:** Plastic.
- Slide and Seals:** Stainless steel type 440.
- O-Rings:** Synthetic rubber.
- Back-Up Rings:** PTFE.

Weight:

- 2-Way:** .8 lbs.
- 3 and 4-Way:** 1 lb. 2 oz.

G

Dimensions



Interpretation of Valve Number

