

Catalog Series 428, 429

Specifications

Service Applications: Hydraulic or pneumatic.

Pressure Range:

- Working: 10,000 PSI
- Proof: 25,000 PSI
- Burst: 40,000 PSI
- Cracking: 6 PSI ±2

Temperature Range -40° to 250° F.

Sizes:

- NPT: 1/4, 3/8, 1/2, 3/4, 1.
- FLD: 4, 6, 8, 12, 16.

Type Ports:

- NPT: Pipe threads AND 10053.
- FLD: Flared tube connection SAE 37° MS 33656 (AND 10056).

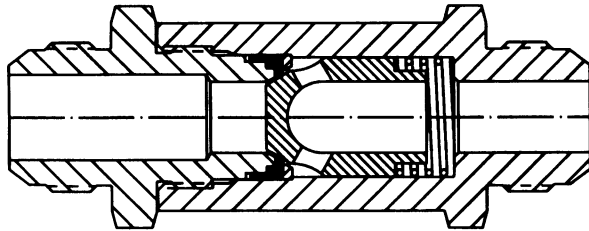
Internal leakage: Zero.

Mounting: In line.

Materials:

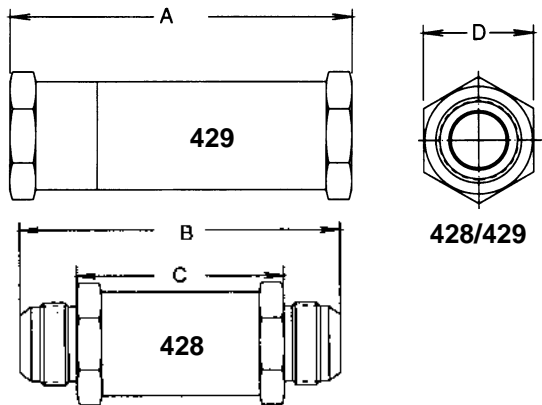
- Body, Cap, Poppet, Spring, Retainer: 316 stainless steel.
- O-Ring: Synthetic rubber.
- Molded Seal: Synthetic rubber.
- Back-Up Ring: PTFE.

B



Features

- Zero leakage (less than 1 drop per min.)
- 10,000 PSI check for gas or liquid service.



Size & Dash Number		Thread Size		A	B	C	D	Weight Oz. (Max.)	CV Factor
Tube	Pipe	428	429	429	428	428	428-429		
4	—	7/16-20	—	—	2-41/64	1-17/32	11/16	2-1/2	.36
6	1/4	9/16-18	1/4	2-27/32	2-55/64	1-3/4	13/16	4	.95
8	3/8	3/4-16	3/8	3-1/2	3-17/32	2-7/32	1-1/16	10	1.3
—	1/2	—	1/2	3-27/32	—	—	1-1/8	16	1.8
12	3/4	1-1/16-12	3/4	4-5/16	4-31/64	2-3/4	1-7/16	22	5.1
16	1	1-5/16-12	1	5-1/4	5-9/64	3-5/16	1-11/16	32	8.0

Interpretation of Valve Number

