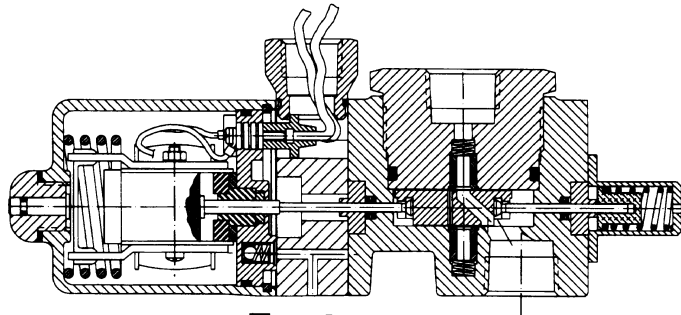


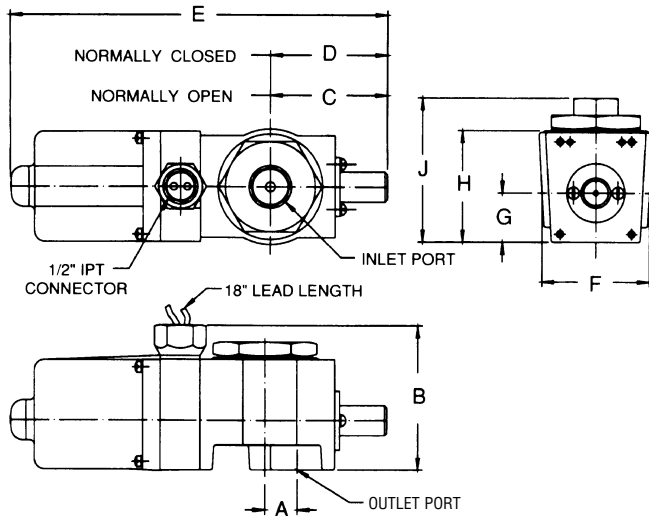
Catalog Series 21353, 21356



Features

- Designed to handle grease and oil in centralized lubricating systems.
- Self-cleaning and dirt resistant.
- Shear-type positive seal.
- Recommended for “venting” an R6701 relief valve as a high pressure shut-off or dump valve.

Dimensions



Specifications

Service Applications:

Lubricating grease or oil.

Pressure Range:

Working: 4500 PSI
Proof: 6750 PSI
Burst: 11250 PSI

Temperature Range:

-40° to 225° F. (with Code 02 O-rings)

Sizes: NPT 3/8, 3/4.

Orifice Diameter: 3/16

Type Ports:

NPT Pipe Threads.

CV Factor: 0.7

Internal Leakage:

1 DPM maximum per pressurized port.

Mounting: In line (ports offset).

Materials:

Body, Cap, Solenoid Housing & Cap: Aluminum alloy, anodized.
Slide, Seals: Stainless steel type 440.
Springs: Stainless steel.
O-Rings: Synthetic rubber.
Back-up Rings: PTFE.



Power Source	All Dimensions are in Inches									
	A	B	C	D	E	F	G	H	J	
A.C. Solenoid	13/16	3 1/2	3 1/16	2 15/16	9 7/16	2 29/32	1 15/64	2 51/64	3 3/16	
D.C. Solenoid	13/16	3 1/2	3 1/16	2 15/16	11	2 29/32	1 15/64	2 51/64	3 3/16	
Air - Oil Operator	13/16	3 1/2	3 1/16	2 15/16	8 13/16	2 29/32	1 15/64	2 51/64	3 3/16	

Interpretation of Valve Number

