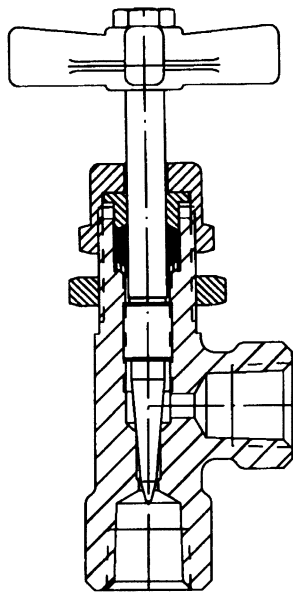


**A**

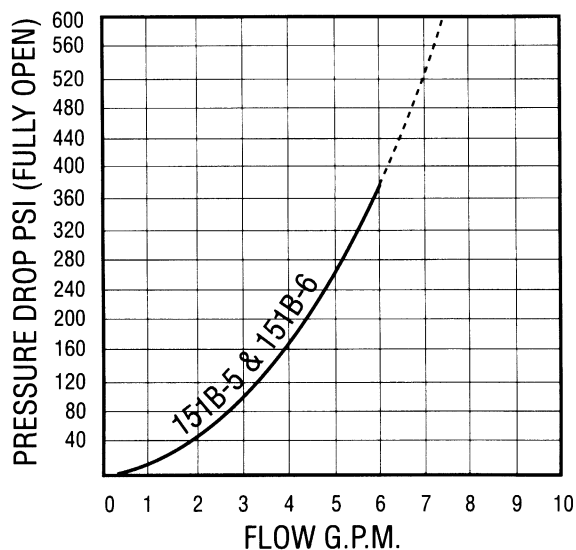
# Catalog Series 151B



## Features

- For applications where extra fine metering of gases and liquids is essential.
- Optional plastic knob handle provides attractive panel installation.
- 40-pitch thread makes turning easy and enables precise adjustment.

## Flow Characteristics



## Specifications

**Service Applications:** Gases and liquids.

**Pressure Range:**

	Liquid	Gas
Working:	5,000 PSI	3,000 PSI
Proof:	7,500 PSI	4,500 PSI
Burst:	12,500 PSI	—

**Temperature Range:**

-65° to 350° F. Higher on special order.

**Sizes:**

NPT: 1/8, 1/4.

**CV Factors:**

1/8:	.17
1/4:	.4

**Orifice Diameter:** .156

**Type Ports:**

NPT: Pipe threads.

**Internal Leakage:** Zero.

**Mounting:** Inline or panel. Maximum panel thickness 1/4". Panel hole diameter 21/32".

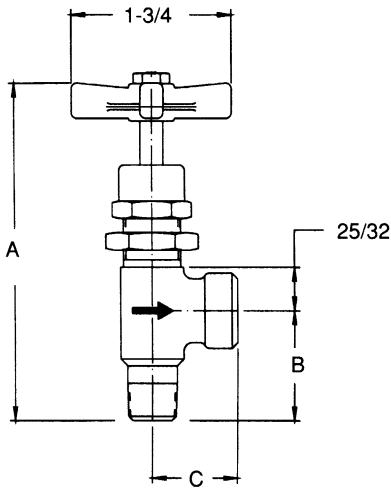
**Materials:**

<b>Body, Cap, Locknut:</b>	Brass
<b>Stem:</b>	Stainless steel type 303.
<b>Packing:</b>	Pre-formed high-temperature graphite. PTFE in stainless steel valves. Elastomer O-rings available.
<b>Washer:</b>	Stainless steel type 302.
<b>Handle:</b>	Aluminum alloy.

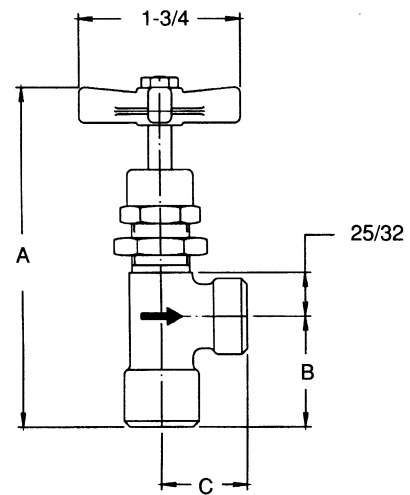
**Weights:**

<b>Aluminum alloy:</b>	3 oz.
<b>Brass, Steel, Stainless Steel:</b>	6 oz.

### Dimensions



151B-5



151B-6

Valve No.	A Closed	B	C
151B-5-1/8	3-9/16	1	3/4
151B-5-1/4	3-3/4	1-3/16	15/16
151B-6-1/8	3-5/8	1-1/16	3/4
151B-6-1/4	3-3/4	1-3/16	15/16

### Interpretation of Valve Number

