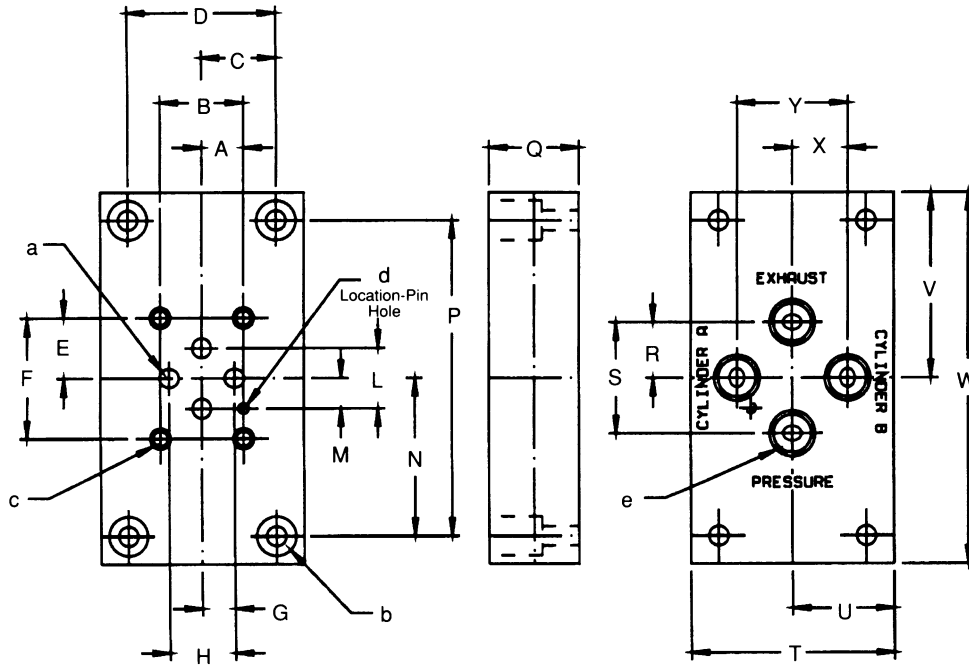


### Features

- Manufactured in steel.
- Quickly and simply attached to valve unit.
- May be mounted during your product's assembly.



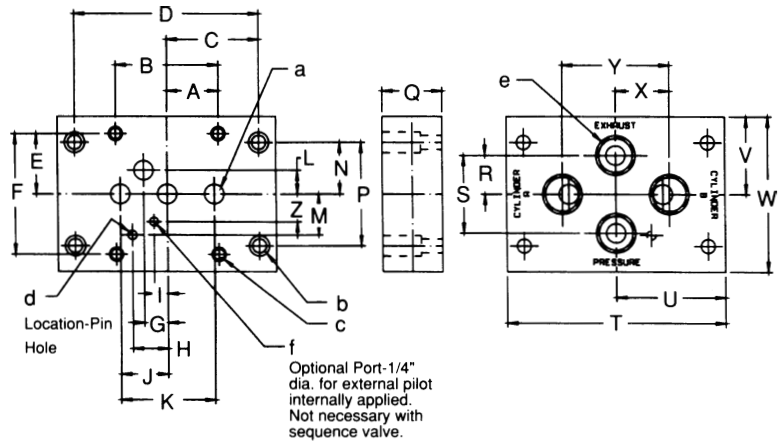
Valve Size	Subplate Series	All Dimensions are in Inches													
		A	B	C	D	E	F	G	H	L	M	N	P	Q	
3 G.P.M.	00208-21**-0100	.562	1.125	1	2	.812	1.625	.440	.880	.812	.406	1 1/2	3	1 7/32	
10 G.P.M.	00208-21**-0200	.562	1.125	1	2	.812	1.625	.440	.880	.812	.406	2 1/8	4 1/4	1 7/32	
		R	S	T	U	V	W	X	Y	a	b	c		d	
3 G.P.M.	00208-21**-0100	3/4	1 1/2	2 3/4	1 3/8	1 13/16	3 5/8	3/4	1 1/2	1/4 Dia.	17/64 Dia.	1/4"-20UNC-3B x 1/2" Deep		9/64 Dia.	
10 G.P.M.	00208-21**-0200	3/4	1 1/2	2 3/4	1 3/8	2 1/2	5	3/4	1 1/2	1/4 Dia.	17/64 Dia.			9/64 Dia.	

\*\*Porting per chart below.

Valve Type	Valve	Rated Flow GPM	Port Size & Type		Ordering Part Number
			NPT	SAE IST	
Direct Solenoid Operated	21100	3	3/8	—	00208-2153-0100
			1/2	—	00208-2106-0101 00208-2154-0100
	21200	10	3/8	—	00208-2153-0200
			1/2	—	00208-2154-0200 00208-2108-0201

### Features

- Manufactured in steel.
- Quickly and simply attached to valve unit.
- May be mounted during your product's assembly.



Valve Size	Subplate Series	All Dimensions are in Inches												
		A	B	C	D	E	F	G	H	I	J	K	L	M
25 & 45 G.P.M.	00208-23**-0100	1 1/2	3	2 11/16	5 3/8	1 3/4	3 1/2	.687	1.375	.393	1.375	2.750	.687	1.187
75 G.P.M.	00208-23**-0300	1 3/4	3 1/2	3 7/16	6 7/8	2 5/8	5 1/4	.875	.875	.437	1.750	3.500	.812	.656
200 G.P.M.	00208-23**-0400	3	6	5 1/2	11	3 3/4	7 1/2	1.500	1.500	.437	3.000	6.000	1.187	1.000
		N	P	Q	R	S	T	U	V	W	X	Y	Z	
25 & 45 G.P.M.	00208-23**-0100	1 1/2	3	1 3/4	1 1/8	2 1/4	6 3/8	3 3/16	2 1/8	4 1/4	1 9/16	3 1/8	.799	
75 G.P.M.	00208-23**-0300	2 1/4	4 1/2	2 3/4	1 5/8	3 1/4	8	4	3 1/8	6 1/4	2 1/2	5	1.078	
200 G.P.M.	00208-23**-0400	3 1/4	6 1/2	3 15/16	2 1/2	5	12 1/2	6 1/4	4 5/16	8 5/8	3 5/8	7 1/4	1.625	
		a	b	c		d		e		f				
25 & 45 G.P.M.	00208-23**-0100	9/16 Dia.	13/32 Dia.	3/8-16UNC-3B 1 1/8 Deep		17/64 Dia. 13/32 Deep		Port Tap ** Size		1/4 Dia.				
75 G.P.M.	00208-23**-0300	3/4 Dia.	17/32 Dia.	1/2-13UNC-3B 1 1/8 Deep		25/64 Dia. 9/16 Deep		Port Tap ** Size		1/4 Dia.				

\*\*Porting per chart below

Valve Type	Valve Series	Rated Flow GPM	Port Size & Type		Ordering Part Number
			NPT	SAE IST	
Pilot-Operated and Solenoid Controlled, Pilot Operated	23100 25100	25	3/4	—	00208-2356-0100
			1	—	00208-2358-0100
			—	12	00208-2312-0101
	23200 25200 27200	45	3/4	—	00208-2356-0100
			1	—	00208-2358-0100
			—	12	00208-2312-0101
	23300 27300	75	1-1/4	—	00208-2360-0300
			1-1/2	—	00208-2362-0300
			—	24	00208-2324-0301

