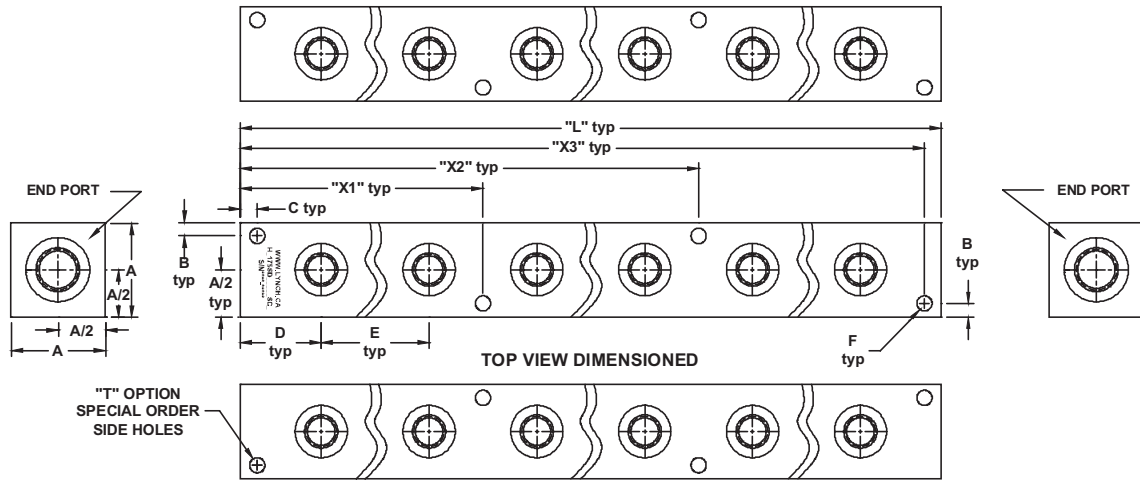


# Lynch MANIFOLDS & VALVE PACKS

## Headers - Layout & Part Number System



To create a Part Number, select one CODE from each Column. Port sizes are linked to material size and must be selected from the same row for standard product.

**EXAMPLE** Aluminum Header with SAE 8 End Ports and SAE 6 Ports Out Top & One Side: HA175SD090\*\*SCU

TYPE	MAT'L	MATERIAL SIZE	END PORT CODE	PORT ORIENTATION	NO. of STATIONS	SIDE PORT CODE	MT'G	
H H E A D E R	A L U M I N I U M	CODE 100 SIZE 1.00" x 1.00"	CODE NA TYPE 1/8" NPTF	CODE 000 STYLE One Side Only	01 to 10	CODE NR TYPE 1/16" NPTF	S T D  N O N - S T D	
		CODE 150 SIZE 1.50" x 1.50"	CODE NB TYPE 1/4" NPTF	0°		CODE NA TYPE 1/8" NPTF		
		CODE 175 SIZE 1.75" x 1.75"	CODE SC TYPE SAE 6 CODE NC TYPE 3/8" NPTF	CODE 090 STYLE Top & One Side		CODE SB TYPE SAE 4 CODE NB TYPE 1/4" NPTF		U O R T  T O P & S I D E M T G H O L E S  O N L Y
		CODE 175 SIZE 1.75" x 1.75"	CODE SD TYPE SAE 8 CODE ND TYPE 1/2" NPTF	90°		CODE SC TYPE SAE 6 CODE NC TYPE 3/8" NPTF		
		CODE 200 SIZE 2.00" x 2.00"	CODE SF TYPE SAE 12 CODE NF TYPE 3/4" NPTF	CODE 180 STYLE Two Opposite Sides		CODE SD TYPE SAE 8 CODE ND TYPE 1/2" NPTF		
		CODE 250 SIZE 2.50" x 2.50"	CODE SH TYPE SAE 16 CODE NH TYPE 1" NPTF	180°		CODE SF TYPE SAE 12 CODE NF TYPE 3/4" NPTF		
	CODE 300 SIZE 3.00" x 3.00"	CODE SI TYPE SAE 20 CODE NI TYPE 1 1/4" NPTF	CODE 270 STYLE Top & Two Opposite Sides	CODE SH TYPE SAE 16 CODE NH TYPE 1" NPTF				
	CODE 350 SIZE 3.50" x 3.50"	CODE SJ TYPE SAE 24 CODE NJ TYPE 1 1/2" NPTF	270° Available on Special Order Only	CODE SI TYPE SAE 20 CODE NI TYPE 1 1/4" NPTF				
	CODE 400 SIZE 4.00" x 4.00"	CODE SK TYPE SAE 32 CODE NK TYPE 2" NPTF		CODE SJ TYPE SAE 24 CODE NJ TYPE 1 1/2" NPTF				
						01 to 09		
						01 to 07		

WE RESERVE THE RIGHT TO DISCONTINUE MODELS, OR CHANGE SPECIFICATIONS WITHOUT NOTICE OR INCURRING OBLIGATION

Lynch Products Can Be Modified to Suit Your Application

## Dimensional Data

### 1.00" HEADER

A	B	C	D	E	F
1.00	0.16	0.31	1.00	1.25	0.20

Mounting Kit includes:  
2 or 4 SHCS 10-24 UNC x 1.50" Long

### 1.50" HEADER

A	B	C	D	E	F
1.50	0.25	0.31	1.13	1.38	0.27

Mounting Kit includes:  
2 or 4 SHCS 1/4"-20 UNC x 2.00" Long

### 1.75" HEADER - STANDARD FLOW

A	B	C	D	E	F
1.75	0.25	0.31	1.06	1.75	0.27

Mounting Kit includes:  
2 or 4 SHCS 1/4"-20 UNC x 2.25" Long

### 1.75" HEADER - HIGH FLOW

A	B	C	D	E	F
1.75	0.25	0.31	1.50	2.00	0.27

Mounting Kit includes:  
2 or 4 SHCS 1/4"-20 UNC x 2.25" Long

### 2.00" HEADER

A	B	C	D	E	F
2.00	0.25	0.31	1.50	2.38	0.27

Mounting Kit includes:  
2 or 4 SHCS 1/4"-20 UNC x 2.50" Long

### 2.50" HEADER

A	B	C	D	E	F
2.50	0.28	0.38	1.81	3.25	0.34

Mounting Kit includes:  
2 or 4 SHCS 5/16"-20 UNC x 3.00" Long

### 3.00" HEADER

A	B	C	D	E	F
3.00	0.34	0.38	2.00	3.75	0.41

Mounting Kit includes:  
2 or 4 SHCS 3/8"-16 UNC x 3.75" Long

### 3.50" HEADER

A	B	C	D	E	F
3.50	0.41	0.50	2.25	4.00	0.53

Mounting Kit includes:  
2 or 4 SHCS 1/2"-13 UNC x 4.50" Long

### 4.00" HEADER

A	B	C	D	E	F
4.00	0.41	2.00	2.50	5.00	0.53

Mounting Kit includes:  
2 or 4 SHCS 1/2"-13 UNC x 5.00" Long

No. of Stations	1	2	3	4	5	6	7	8	9	10
Dim. "L"	2.00	3.25	4.50	5.75	7.00	8.25	9.50	10.75	12.00	13.25
X1	*	*	*	*	2.88	2.88	4.13	4.13	4.13	4.13
X2	*	*	*	*	4.13	5.38	5.38	6.63	7.88	9.13
X3	1.38	2.63	3.88	5.13	6.38	7.63	8.88	10.13	11.38	12.63

No. of Stations	1	2	3	4	5	6	7	8	9	10
Dim. "L"	2.25	3.63	5.00	6.38	7.75	9.13	10.50	11.88	13.25	14.63
X1	*	*	*	*	3.19	3.19	4.56	4.56	4.56	4.56
X2	*	*	*	*	4.56	5.94	5.94	7.31	8.69	10.06
X3	1.94	3.31	4.69	6.06	7.44	8.81	10.19	11.56	12.94	14.31

No. of Stations	1	2	3	4	5	6	7	8	9	10
Dim. "L"	2.13	3.88	5.63	7.38	9.13	10.88	12.63	14.38	16.13	17.88
X1	*	*	*	*	3.69	3.69	5.44	5.44	5.44	5.44
X2	*	*	*	*	5.44	7.19	7.19	8.94	10.69	12.44
X3	1.81	3.56	5.31	7.06	8.81	10.56	12.31	14.06	15.81	17.56

No. of Stations	1	2	3	4	5	6	7	8	9	10
Dim. "L"	3.00	5.00	7.00	9.00	11.00	13.00	15.00	17.00	19.00	21.00
X1	*	*	*	*	4.50	4.50	6.50	6.50	6.50	6.50
X2	*	*	*	*	6.50	8.50	8.50	10.50	12.50	14.50
X3	2.69	4.69	6.69	8.69	10.69	12.69	14.69	16.69	18.69	20.69

No. of Stations	1	2	3	4	5	6	7	8	9	10
Dim. "L"	3.00	5.38	7.75	10.13	12.50	14.88	17.25	19.63	22.00	24.38
X1	*	*	*	*	5.06	5.06	7.44	7.44	7.44	7.44
X2	*	*	*	*	7.44	9.81	9.81	12.19	14.56	16.94
X3	2.69	5.06	7.44	9.81	12.19	14.56	16.94	19.31	21.69	24.06

No. of Stations	1	2	3	4	5	6	7	8	9	10
Dim. "L"	3.63	6.88	10.13	13.38	16.63	19.88	23.13	26.38	29.63	32.88
X1	*	*	*	*	6.69	6.69	9.94	9.94	9.94	9.94
X2	*	*	*	*	9.94	13.19	13.19	16.44	19.69	22.94
X3	3.25	6.50	9.75	13.00	16.25	19.50	22.75	26.00	29.25	32.50

No. of Stations	1	2	3	4	5	6	7	8	9	10
Dim. "L"	4.00	7.75	11.50	15.25	19.00	22.75	26.50	30.25	34.00	37.75
X1	*	*	*	*	7.63	7.63	11.38	11.38	11.38	11.38
X2	*	*	*	*	11.38	15.13	15.13	18.88	22.63	26.38
X3	3.63	7.38	11.13	14.88	18.63	22.38	26.13	29.88	33.63	37.38

No. of Stations	1	2	3	4	5	6	7	8	9
Dim. "L"	4.50	8.50	12.50	16.50	20.50	24.50	28.50	32.50	36.50
X1	*	*	*	*	8.25	8.25	12.25	12.25	12.25
X2	*	*	*	*	12.25	16.25	16.25	20.25	24.25
X3	4.00	8.00	12.00	16.00	20.00	24.00	28.00	32.00	36.00

No. of Stations	1	2	3	4	5	6	7
Dim. "L"	5.00	10.00	15.00	20.00	25.00	30.00	35.00
X1	*	*	*	*	11.50	11.50	16.50
X2	*	*	*	*	16.50	21.50	21.50
X3	6.00	11.00	16.00	21.00	26.00	31.00	36.00

WE RESERVE THE RIGHT TO DISCONTINUE MODELS, OR CHANGE SPECIFICATIONS WITHOUT NOTICE OR INCURRING OBLIGATION

Lynch Products Can Be Modified to Suit Your Application

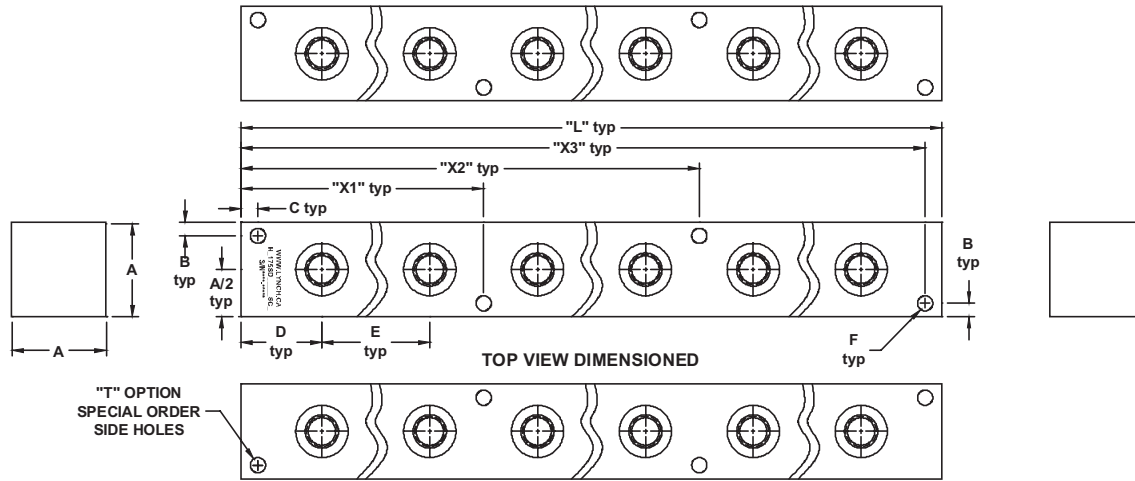


**NFPA**  
Solutions through  
motion technology  
MEMBER



# Lynch MANIFOLDS & VALVE PACKS

## Junctions - Layout & Part Number System



To create a Part Number, select one CODE from each Column. Port sizes are linked to material size and must be selected from the same row for standard product.

**EXAMPLE** Ductile Iron Junction with SAE 16 Ports Out Top & Two Opposite Sides: JD300XX270\*\*SHU

TYPE	MAT'L	MATERIAL SIZE		END PORT CODE		PORT ORIENTATION		NO. of STATIONS	SIDE PORT CODE		MT'G			
		CODE	SIZE	CODE	TYPE	CODE	STYLE		CODE	TYPE	STD	NON-STD		
J JUNCTION	A OR F ALUMINUM STEEL	100	1.00" x 1.00"	XX	NONE	090	Top & One Side 	01 to 10	NR	1/16" NPTF	STD	NON-STD		
		150	1.50" x 1.50"			180	Two Opposite Sides 		NA	1/8" NPTF				
		175	1.75" x 1.75"			270	Top & Two Opposite Sides 		SB	SAE 4			U or T	TOP & SIDE MTG HOLES
		175	1.75" x 1.75"						NB	1/4" NPTF				
		200	2.00" x 2.00"						SC	SAE 6			ONLY	H O L E S
		250	2.50" x 2.50"						NC	3/8" NPTF				
	A OR D ALUMINUM DUCTILE IRON	250	2.50" x 2.50"					SD	SAE 8	01 to 09	NI	1 1/4" NPTF		
		300	3.00" x 3.00"					ND	1/2" NPTF					
		350	3.50" x 3.50"					SF	SAE 12					
		350	3.50" x 3.50"					NF	3/4" NPTF					
		400	4.00" x 4.00"					SH	SAE 16					
		400	4.00" x 4.00"					NH	1" NPTF					
								01 to 07	SJ	SAE 24				
									NJ	1 1/2" NPTF				

WE RESERVE THE RIGHT TO DISCONTINUE MODELS, OR CHANGE SPECIFICATIONS WITHOUT NOTICE OR INCURRING OBLIGATION

Lynch Products Can Be Modified to Suit Your Application

## Dimensional Data

### 1.00" JUNCTION

A	B	C	D	E	F
1.00	0.16	0.63	1.00	1.25	0.20

Mounting Kit includes:  
2 or 4 SHCS 10-24 UNC x 1.50" Long

### 1.50" JUNCTION

A	B	C	D	E	F
1.50	0.25	0.31	1.13	1.38	0.27

Mounting Kit includes:  
2 or 4 SHCS 1/4"-20 UNC x 2.00" Long

### 1.75" JUNCTION - STANDARD FLOW

A	B	C	D	E	F
1.75	0.25	0.31	1.06	1.75	0.27

Mounting Kit includes:  
2 or 4 SHCS 1/4"-20 UNC x 2.25" Long

### 1.75" JUNCTION - HIGH FLOW

A	B	C	D	E	F
1.75	0.25	0.31	1.50	2.00	0.27

Mounting Kit includes:  
2 or 4 SHCS 1/4"-20 UNC x 2.25" Long

### 2.00" JUNCTION

A	B	C	D	E	F
2.00	0.25	0.31	1.50	2.38	0.27

Mounting Kit includes:  
2 or 4 SHCS 1/4"-20 UNC x 2.50" Long

### 2.50" JUNCTION

A	B	C	D	E	F
2.50	0.28	0.38	1.81	3.25	0.34

Mounting Kit includes:  
2 or 4 SHCS 5/16"-20 UNC x 3.00" Long

### 3.00" JUNCTION

A	B	C	D	E	F
3.00	0.34	0.38	2.00	3.75	0.41

Mounting Kit includes:  
2 or 4 SHCS 3/8"-16 UNC x 3.75" Long

### 3.50" JUNCTION

A	B	C	D	E	F
3.50	0.41	0.50	2.25	4.00	0.53

Mounting Kit includes:  
2 or 4 SHCS 1/2"-13 UNC x 4.50" Long

### 4.00" JUNCTION

A	B	C	D	E	F
4.00	0.41	2.00	2.50	5.00	0.53

Mounting Kit includes:  
2 or 4 SHCS 1/2"-13 UNC x 5.00" Long

No. of Stations	1	2	3	4	5	6	7	8	9	10
Dim. "L"	2.00	3.25	4.50	5.75	7.00	8.25	9.50	10.75	12.00	13.25
X1	*	*	*	*	2.88	2.88	4.13	4.13	4.13	4.13
X2	*	*	*	*	4.13	5.38	5.38	6.63	7.88	9.13
X3	1.38	2.63	3.88	5.13	6.38	7.63	8.88	10.13	11.38	12.63

No. of Stations	1	2	3	4	5	6	7	8	9	10
Dim. "L"	2.25	3.63	5.00	6.38	7.75	9.13	10.50	11.88	13.25	14.63
X1	*	*	*	*	3.19	3.19	4.56	4.56	4.56	4.56
X2	*	*	*	*	4.56	5.94	5.94	7.31	8.69	10.06
X3	1.94	3.31	4.69	6.06	7.44	8.81	10.19	11.56	12.94	14.31

No. of Stations	1	2	3	4	5	6	7	8	9	10
Dim. "L"	2.13	3.88	5.63	7.38	9.13	10.88	12.63	14.38	16.13	17.88
X1	*	*	*	*	3.69	3.69	5.44	5.44	5.44	5.44
X2	*	*	*	*	5.44	7.19	7.19	8.94	10.69	12.44
X3	1.81	3.56	5.31	7.06	8.81	10.56	12.31	14.06	15.81	17.56

No. of Stations	1	2	3	4	5	6	7	8	9	10
Dim. "L"	3.00	5.00	7.00	9.00	11.00	13.00	15.00	17.00	19.00	21.00
X1	*	*	*	*	4.50	4.50	6.50	6.50	6.50	6.50
X2	*	*	*	*	6.50	8.50	8.50	10.50	12.50	14.50
X3	2.69	4.69	6.69	8.69	10.69	12.69	14.69	16.69	18.69	20.69

No. of Stations	1	2	3	4	5	6	7	8	9	10
Dim. "L"	3.00	5.38	7.75	10.13	12.50	14.88	17.25	19.63	22.00	24.38
X1	*	*	*	*	5.06	5.06	7.44	7.44	7.44	7.44
X2	*	*	*	*	7.44	9.81	9.81	12.19	14.56	16.94
X3	2.69	5.06	7.44	9.81	12.19	14.56	16.94	19.31	21.69	24.06

No. of Stations	1	2	3	4	5	6	7	8	9	10
Dim. "L"	3.63	6.88	10.13	13.38	16.63	19.88	23.13	26.38	29.63	32.88
X1	*	*	*	*	6.69	6.69	9.94	9.94	9.94	9.94
X2	*	*	*	*	9.94	13.19	13.19	16.44	19.69	22.94
X3	3.25	6.50	9.75	13.00	16.25	19.50	22.75	26.00	29.25	32.50

No. of Stations	1	2	3	4	5	6	7	8	9	10
Dim. "L"	4.00	7.75	11.50	15.25	19.00	22.75	26.50	30.25	34.00	37.75
X1	*	*	*	*	7.63	7.63	11.38	11.38	11.38	11.38
X2	*	*	*	*	11.38	15.13	15.13	18.88	22.63	26.38
X3	3.63	7.38	11.13	14.88	18.63	22.38	26.13	29.88	33.63	37.38

No. of Stations	1	2	3	4	5	6	7	8	9
Dim. "L"	4.50	8.50	12.50	16.50	20.50	24.50	28.50	32.50	36.50
X1	*	*	*	*	8.25	8.25	12.25	12.25	12.25
X2	*	*	*	*	12.25	16.25	16.25	20.25	24.25
X3	4.00	8.00	12.00	16.00	20.00	24.00	28.00	32.00	36.00

No. of Stations	1	2	3	4	5	6	7
Dim. "L"	8.00	13.00	18.00	23.00	28.00	33.00	38.00
X1	*	*	*	*	11.50	11.50	16.50
X2	*	*	*	*	16.50	21.50	21.50
X3	6.00	11.00	16.00	21.00	26.00	31.00	36.00

WE RESERVE THE RIGHT TO DISCONTINUE MODELS, OR CHANGE SPECIFICATIONS WITHOUT NOTICE OR INCURRING OBLIGATION

Lynch Products Can Be Modified to Suit Your Application



**NFPA**  
Solutions through  
motion technology  
MEMBER

