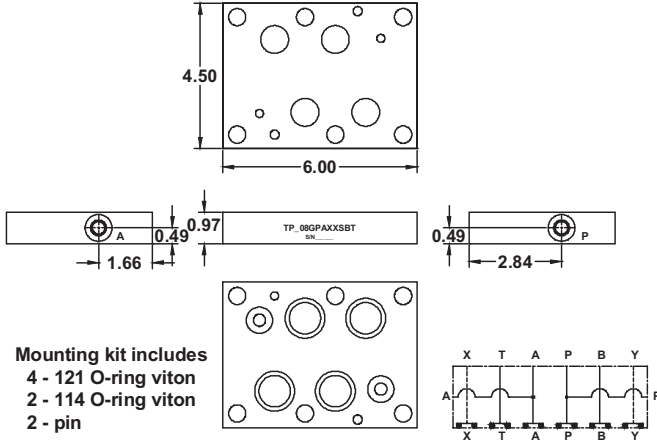


D08 Tapping Plates

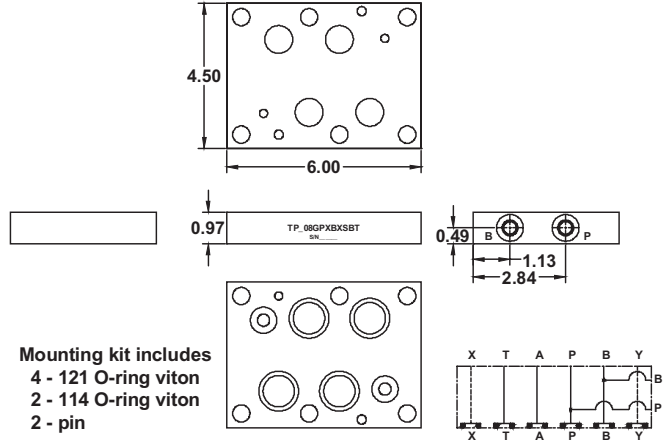
2

TAPPING PLATES

Circuit - "PAXX"

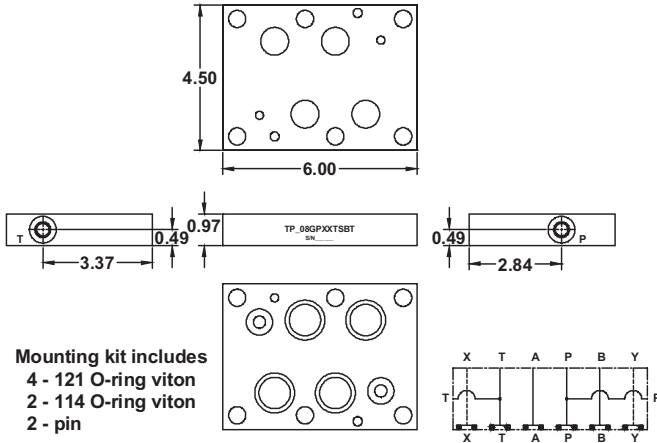


Circuit - "PXBX"

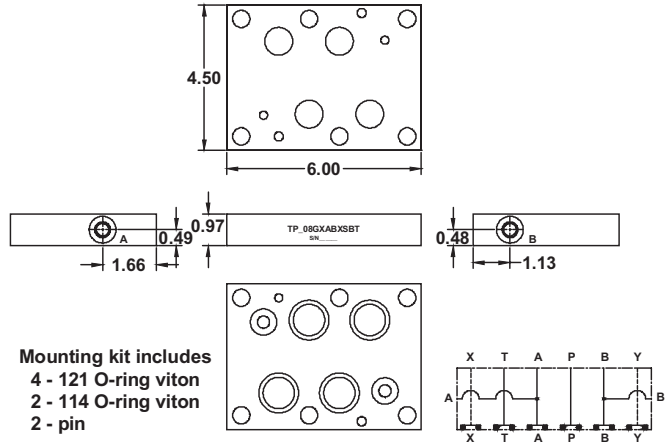


(See Page 49 for Circuit "PABT")

Circuit - "PXXT"

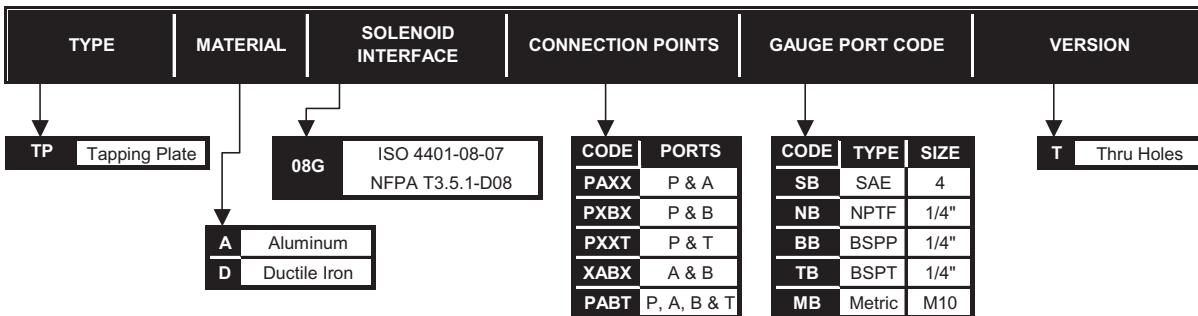


Circuit - "XABX"



PART NUMBER SYSTEM

Aluminum D08 Tapping Plate with SAE 4 Gauge Ports on A & B Example : **TPA08GXABXSBT**



WE RESERVE THE RIGHT TO DISCONTINUE MODELS, OR CHANGE SPECIFICATIONS WITHOUT NOTICE OR INCURRING OBLIGATION

Lynch Products Can Be Modified to Suit Your Application

