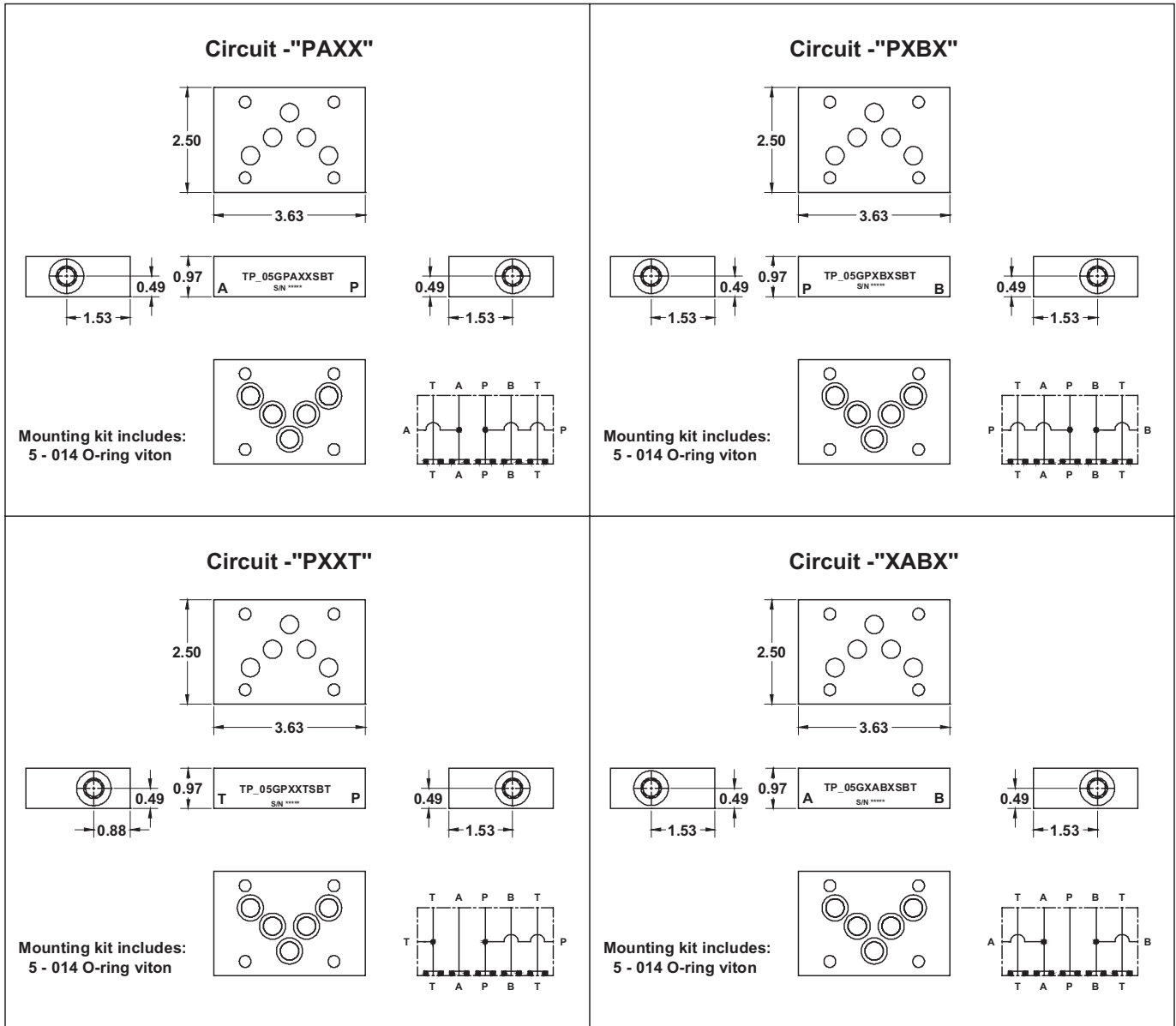


D05 Tapping Plates

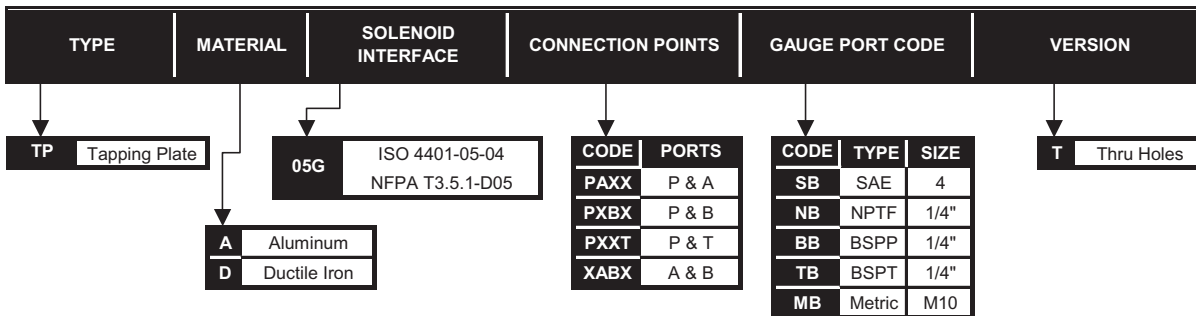
2

TAPPING PLATES



PART NUMBER SYSTEM

Aluminum D05 Tapping Plate with SAE 4 Gauge Ports on A & B Example : **TPA05GXABXSBT**



WE RESERVE THE RIGHT TO DISCONTINUE MODELS, OR CHANGE SPECIFICATIONS WITHOUT NOTICE OR INCURRING OBLIGATION

Lynch Products Can Be Modified to Suit Your Application

