

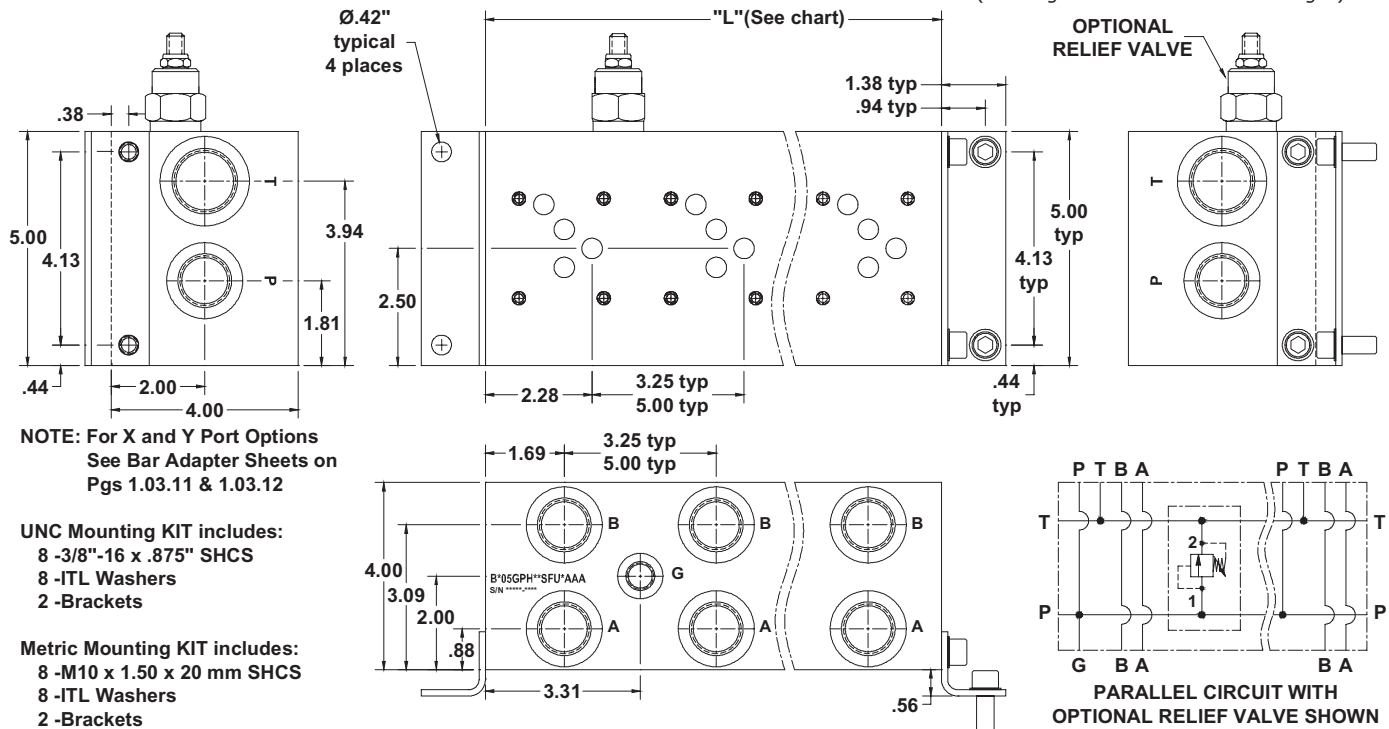
Lynch MANIFOLDS & VALVE PACKS

D05 High Flow Parallel Circuit Manifold

1

BAR MANIFOLDS

(See Page 1.99.01 for Relief Cartridges)



NOTE: For X and Y Port Options See Bar Adapter Sheets on Pgs 1.03.11 & 1.03.12

UNC Mounting KIT includes:
8 -3/8"-16 x .875" SHCS
8 -ITL Washers
2 -Brackets

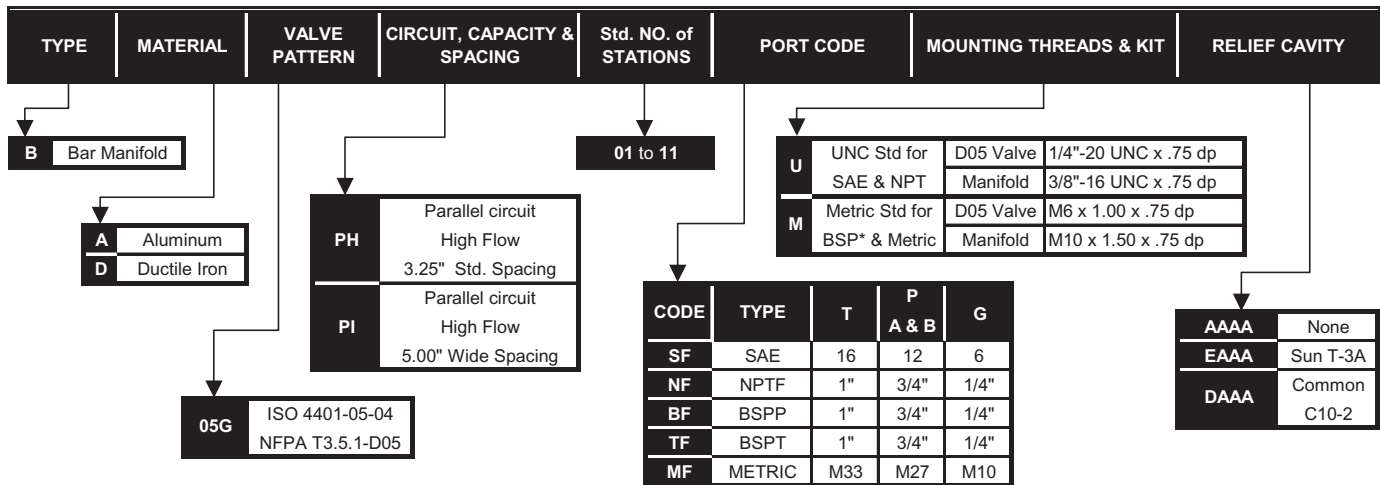
Metric Mounting KIT includes:
8 -M10 x 1.50 x 20 mm SHCS
8 -ITL Washers
2 -Brackets

No. of Stations	1	1*	2	3	4	5	6	7	8	9	10	11	12	13	14	15	16
Dim. "L", 3.25" spacing	3.50	4.50	6.75	10.00	13.25	16.50	19.75	23.00	26.25	29.50	32.75	36.00	39.25	42.50	45.75	49.00	52.25
est. weight in lb.- alum	7	9	13	19	25	30	36	42	48	54	60	66	71	77	83	89	95
est. weight in lb.- iron	18	23	34	49	65	81	97	113	128	144	160	176	192	207	223	239	255
Dim. "L", 5.00" spacing	-	-	8.50	13.50	18.50	23.50	28.50	33.50	38.50	43.50	48.50	53.50	58.50	63.50	68.50	-	-
est. weight in lb.- alum	-	-	16	25	34	43	52	61	70	79	88	97	106	115	124	-	-
est. weight in lb.- iron	-	-	42	66	91	115	139	164	188	212	236	261	285	309	334	-	-

* DIMENSIONS FOR 1 STATION WITH RELIEF CAVITY & GAUGE PORT
NO GAUGE PORT SUPPLIED WITH SINGLE STATION MANIFOLD
SHADED AREA AVAILABLE ON SPECIAL ORDER ONLY

PART NUMBER SYSTEM

Aluminum D05 with 3.25" Spacing & SAE Porting example: BA05GPH**SFUAAAA



WE RESERVE THE RIGHT TO DISCONTINUE MODELS, OR CHANGE SPECIFICATIONS WITHOUT NOTICE OR INCURRING OBLIGATION

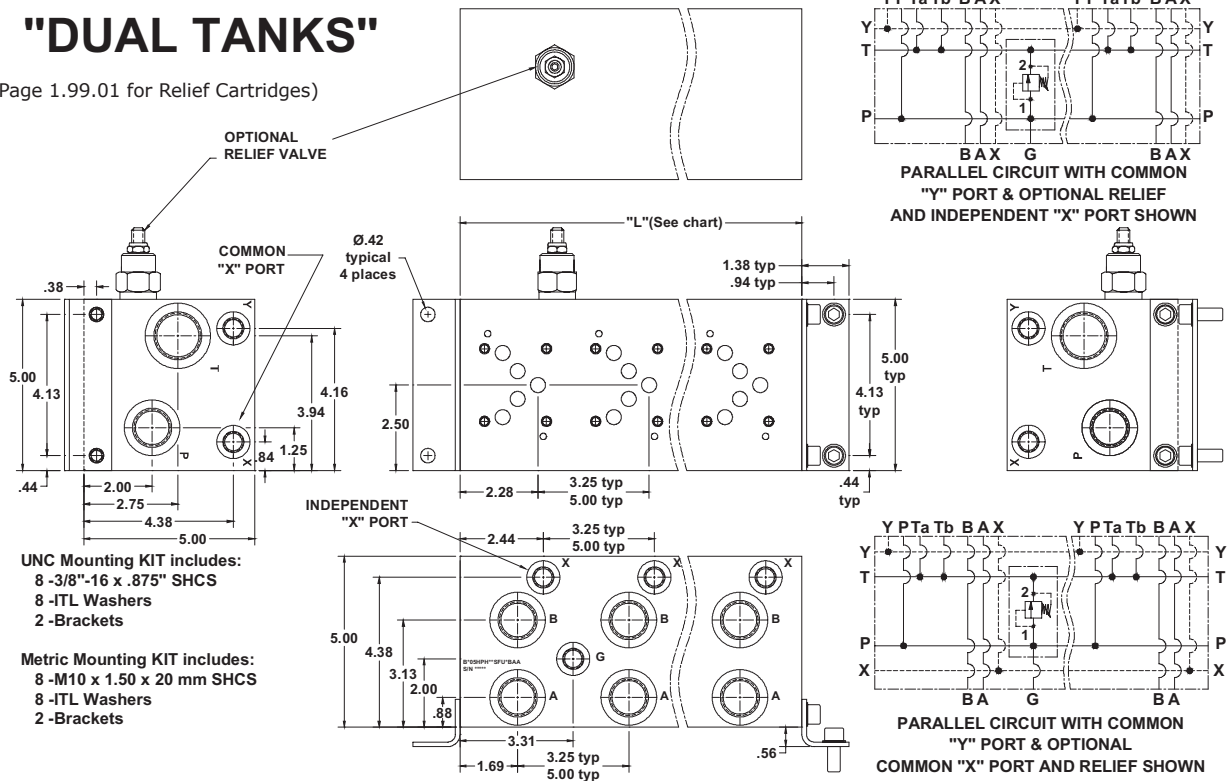
Lynch Products Can Be Modified to Suit Your Application



D05H High Flow Parallel Circuit Manifold with X&Y

"DUAL TANKS"

(See Page 1.99.01 for Relief Cartridges)



UNC Mounting KIT includes:
8 - 3/8"-16 x .875" SHCS
8 - ITL Washers
2 - Brackets

Metric Mounting KIT includes:
8 - M10 x 1.50 x 20 mm SHCS
8 - ITL Washers
2 - Brackets

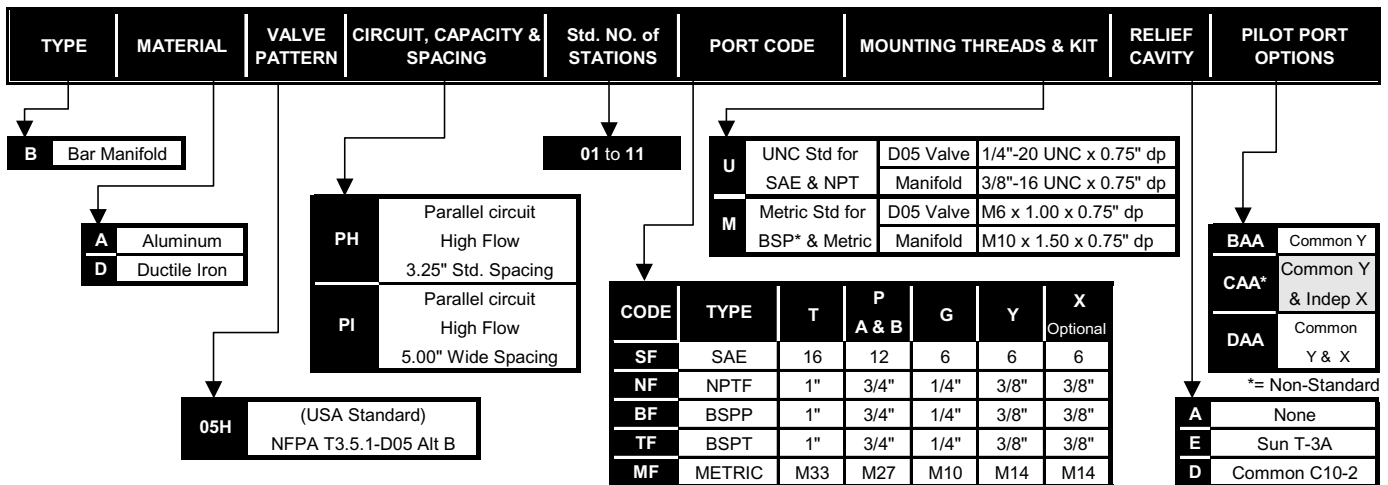
No. of Stations	1	1*	2	3	4	5	6	7	8	9	10	11	12	13	14	15	16
Dim. "L", 3.25" spacing	3.50	4.50	6.75	10.00	13.25	16.50	19.75	23.00	26.25	29.50	32.75	36.00	39.25	42.50	45.75	49.00	52.25
est. weight in lb.- alum	9	11	16	23	31	38	45	53	60	67	74	82	89	96	104	111	118
est. weight in lb.- iron	22	28	42	62	81	101	121	140	160	180	200	219	239	259	279	298	318
Dim. "L", 5.00" spacing	-	-	8.50	13.50	18.50	23.50	28.50	33.50	38.50	43.50	48.50	53.50	58.50	63.50	68.50	-	-
est. weight in lb.- alum	-	-	20	31	42	54	65	76	87	99	110	121	132	144	155	-	-
est. weight in lb.- iron	-	-	52	83	113	144	174	204	235	265	295	326	356	387	417	-	-

* DIMENSIONS FOR 1 STATION WITH RELIEF CAVITY & GAUGE PORT
NO GAUGE PORT SUPPLIED WITH SINGLE STATION MANIFOLD

SHADED AREA AVAILABLE ON SPECIAL ORDER ONLY

PART NUMBER SYSTEM

Aluminum D05H with 3.25" Spacing, Common Y & SAE porting example: BA05HPH**SFUABAA



WE RESERVE THE RIGHT TO DISCONTINUE MODELS, OR CHANGE SPECIFICATIONS WITHOUT NOTICE OR INCURRING OBLIGATION

Lynch Products Can Be Modified to Suit Your Application

Lynch MANIFOLDS & VALVE PACKS

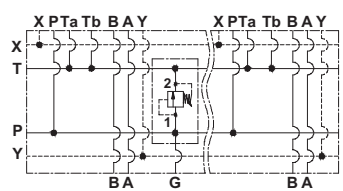
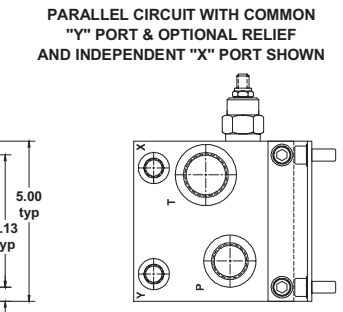
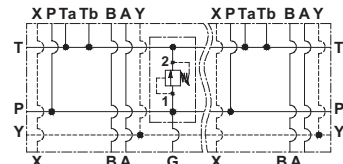
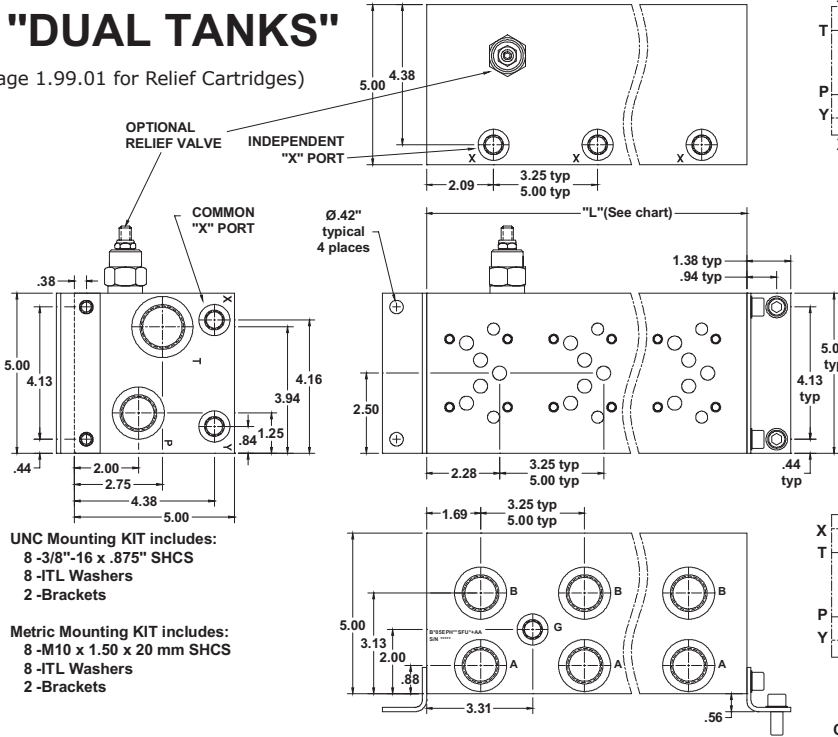
D05HE High Flow Parallel Circuit Manifold with X&Y

1

BAR MANIFOLDS

"DUAL TANKS"

(See Page 1.99.01 for Relief Cartridges)



No. of Stations	1	1*	2	3	4	5	6	7	8	9	10	11	12	13	14	15	16
Dim. "L", 3.25" spacing	3.50	4.50	6.75	10.00	13.25	16.50	19.75	23.00	26.25	29.50	32.75	36.00	39.25	42.50	45.75	49.00	52.25
est. weight in lb.- alum	9	11	16	23	31	38	45	53	60	67	74	82	89	96	104	111	118
est. weight in lb.- iron	22	28	42	62	81	101	121	140	160	180	200	219	239	259	279	298	318
Dim. "L", 5.00" spacing	-	-	8.50	13.50	18.50	23.50	28.50	33.50	38.50	43.50	48.50	53.50	58.50	63.50	68.50	-	-
est. weight in lb.- alum	-	-	20	31	42	54	65	76	87	99	110	121	132	144	155	-	-
est. weight in lb.- iron	-	-	52	83	113	144	174	204	235	265	295	326	356	387	417	-	-

* DIMENSIONS FOR 1 STATION WITH RELIEF CAVITY & GAUGE PORT
NO GAUGE PORT SUPPLIED WITH SINGLE STATION MANIFOLD
SHADED AREA AVAILABLE ON SPECIAL ORDER ONLY

PART NUMBER SYSTEM

Aluminum D05HE with 3.25" Spacing, Common Y & SAE porting example: BA05EPH**SFUABAA

TYPE	MATERIAL	VALVE PATTERN	CIRCUIT, CAPACITY & SPACING	Std. NO. of STATIONS	PORT CODE	MOUNTING THREADS & KIT	RELIEF CAVITY	PILOT PORT OPTIONS
B	Bar Manifold			01 to 11	U M	D05 Valve 1/4"-20 UNC x 0.75" dp Manifold 3/8"-16 UNC x 0.75" dp D05 Valve M6 x 1.00 x 0.75" dp Manifold M10 x 1.50 x 0.75" dp		BAA Common Y CAA* Common Y & Indep X DAA Common Y & X
A	Aluminum	PH	Parallel circuit High Flow 3.25" Std. Spacing					
D	Ductile Iron	PI	Parallel circuit High Flow 5.00" Wide Spacing					
05E	ISO 4401-05-05 (EURO) NFPA T3.5.1-D05 Alt A							

CODE	TYPE	T	P A & B	G	Y	X Optional
SF	SAE	16	12	6	6	6
NF	NPTF	1"	3/4"	1/4"	3/8"	3/8"
BF	BSPP	1"	3/4"	1/4"	3/8"	3/8"
TF	BSPT	1"	3/4"	1/4"	3/8"	3/8"
MF	METRIC	M33	M27	M10	M14	M14

*= Non-Standard

A	None
E	Sun T-3A
D	Common C10-2

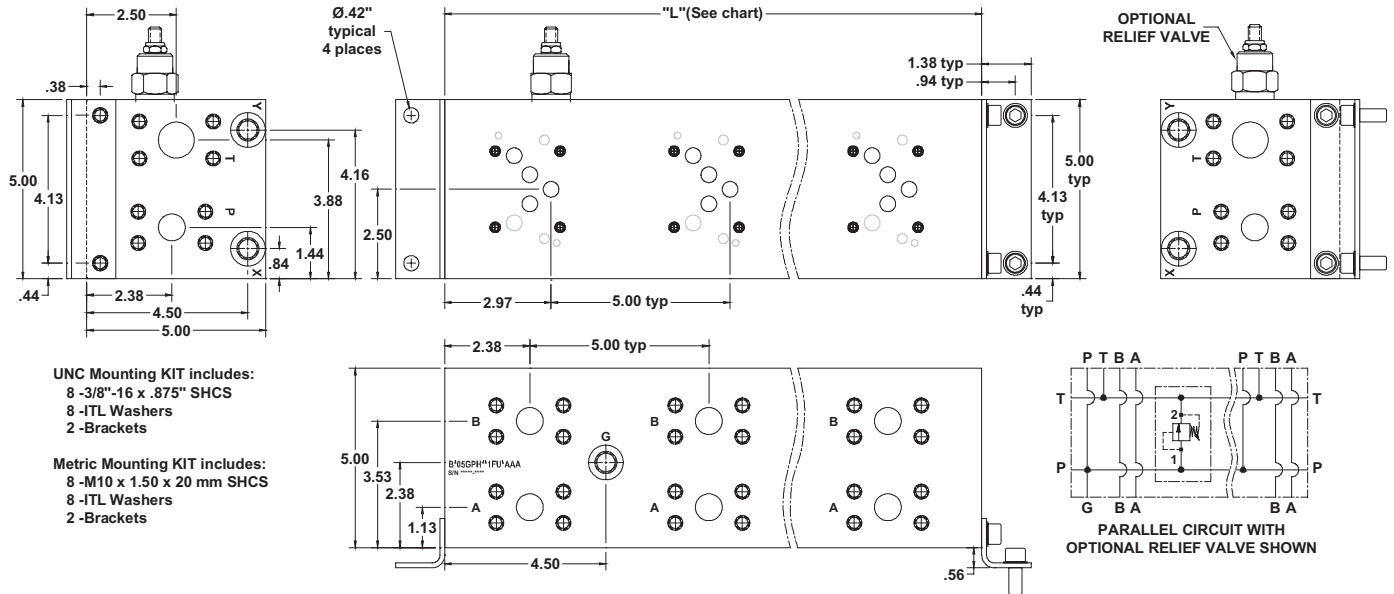
WE RESERVE THE RIGHT TO DISCONTINUE MODELS, OR CHANGE SPECIFICATIONS WITHOUT NOTICE OR INCURRING OBLIGATION

Lynch Products Can Be Modified to Suit Your Application



D05 High Flow Parallel Circuit with Flange Ports

(See Page 1.99.01 for Relief Cartridges)



1
BAR MANIFOLDS

- UNC Mounting KIT includes:**
 8 -3/8"-16 x .875" SHCS
 8 -ITL Washers
 2 -Brackets
- Metric Mounting KIT includes:**
 8 -M10 x 1.50 x 20 mm SHCS
 8 -ITL Washers
 2 -Brackets

No. of Stations	1	1*	2	3	4	5	6	7	8
Dim. "L", 5.00" spacing	5.00	6.00	10.00	15.00	20.00	25.00	30.00	35.00	40.00
est. weight in lb.- alum	12	14	23	35	46	57	68	80	91
est. weight in lb.- iron	31	37	62	92	122	153	183	213	244

* DIMENSIONS FOR 1 STATION WITH RELIEF CAVITY

- NOTES:**
- "05G" Valve Pattern has Single Tank Gallery and No Pilot Ports
 - "05T" Valve Pattern has Dual Tank Galleries and No Pilot Ports
 - "05H" Valve Pattern has Dual Tank Galleries and Pilot Ports as Shown
 - "05E" Valve Pattern has Dual Tank Galleries and Pilot Ports Opposite to what is Shown

PART NUMBER SYSTEM

Aluminum D05H with 5.00" Spacing, Common Y & Flange porting example: BA05HPI**1FUABAA

TYPE	MATERIAL	VALVE PATTERN	CIRCUIT, CAPACITY & SPACING	Std. NO. of STATIONS	PORT CODE	MOUNTING THREADS & KIT	RELIEF CAVITY	PILOT PORT OPTIONS
B	Bar Manifold	PI	Parallel circuit High Flow 5.00" Wide Spacing	01 to 08	U M	D05 Valve Manifold	1/4"-20 UNC x 0.75" dp 3/8"-16 UNC x 0.75" dp	AAA BAA DAA
A	Aluminum							
D	Ductile Iron							
05G or T			ISO 4401-05-04 NFFPA T3.5.1-D05 (USA Standard)					
05H			NFFPA T3.5.1-D05 Alt B					
05E			ISO 4401-05-05 (EURO) NFFPA T3.5.1-D05 Alt A					
CODE	TYPE	T	P A & B	G*	Y & X*			
1F	SAE CODE 61	1"	3/4"	6 M10	6 M14			
* Gauge & Pilot Ports determined by Mounting Threads								
A	None							
E	Sun T-3A							
H	Common C16-2							

WE RESERVE THE RIGHT TO DISCONTINUE MODELS, OR CHANGE SPECIFICATIONS WITHOUT NOTICE OR INCURRING OBLIGATION

Lynch Products Can Be Modified to Suit Your Application



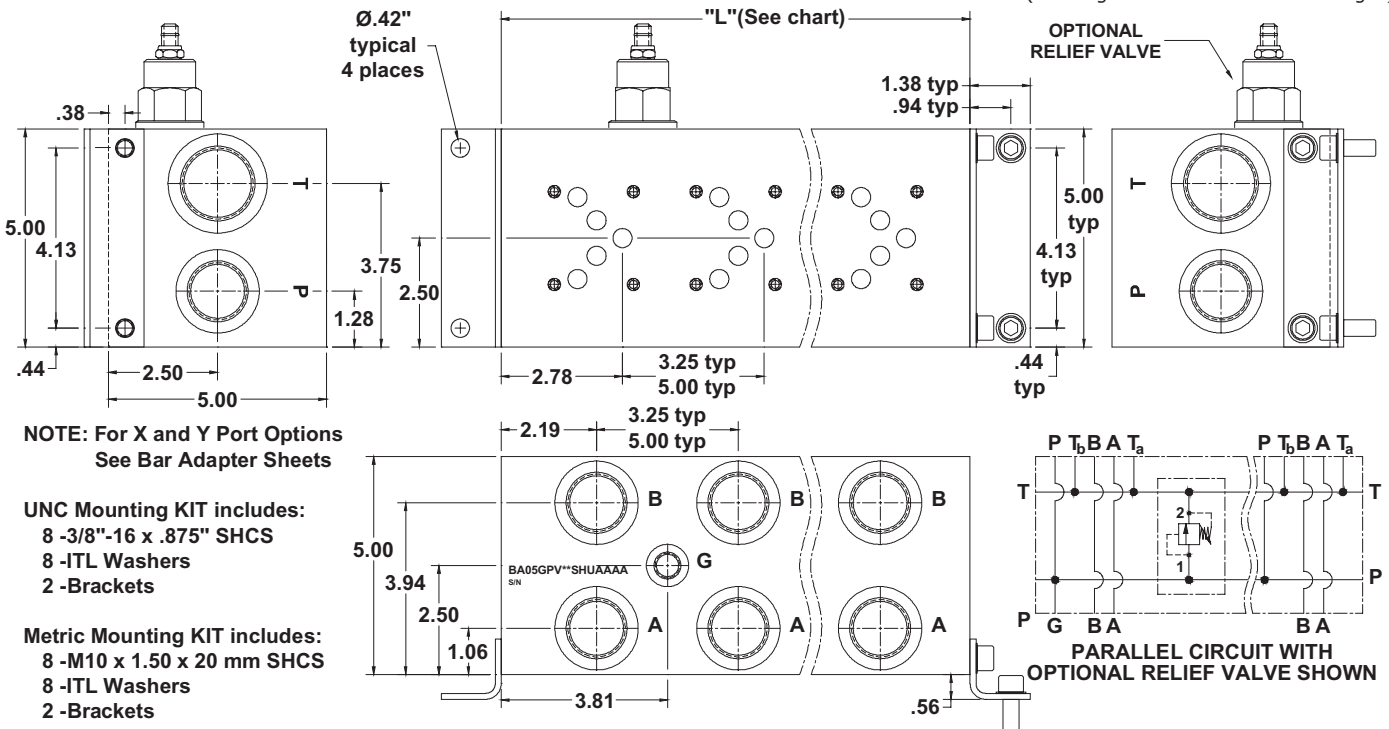
Lynch MANIFOLDS & VALVE PACKS

D05 Very High Flow Parallel Circuit Manifold

1

BAR MANIFOLDS

(See Page 1.99.01 for Relief Cartridges)



NOTE: For X and Y Port Options See Bar Adapter Sheets

UNC Mounting KIT includes:
 8 -3/8"-16 x .875" SHCS
 8 -ITL Washers
 2 -Brackets

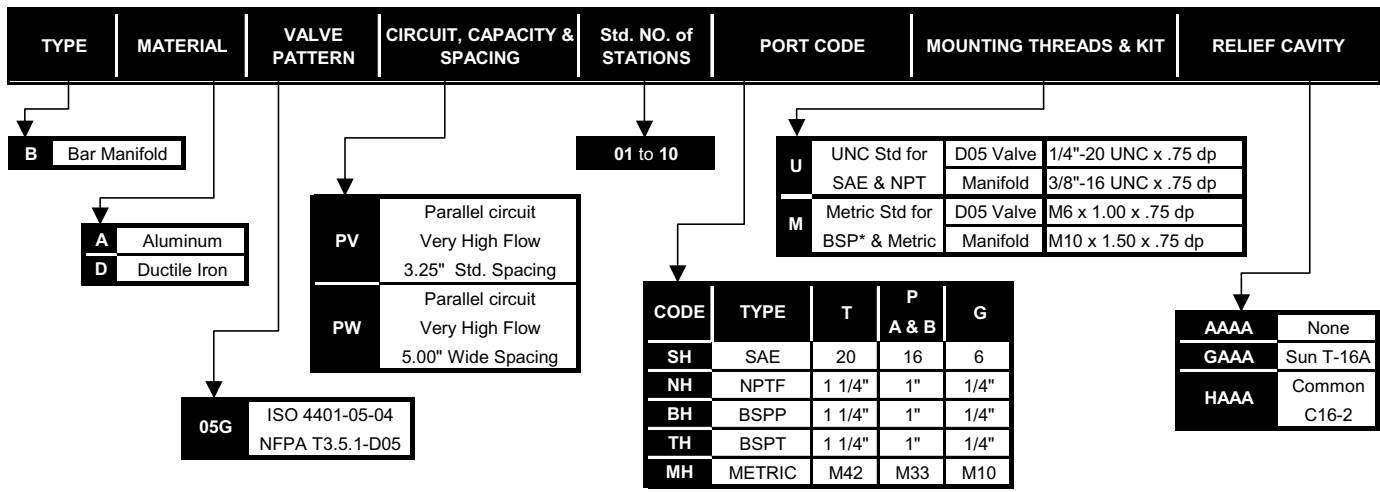
Metric Mounting KIT includes:
 8 -M10 x 1.50 x 20 mm SHCS
 8 -ITL Washers
 2 -Brackets

No. of Stations	1	1*	2	3	4	5	6	7	8	9	10	11
Dim. "L", 3.25" spacing	4.25	5.50	7.50	10.75	14.00	17.25	20.50	23.75	27.00	30.25	33.50	36.75
est. weight in lb.- alum	11	14	19	26	34	42	49	57	65	73	80	88
est. weight in lb.- iron	28	36	49	70	91	111	132	153	174	195	216	224
Dim. "L", 5.00" spacing	-	-	9.25	14.25	19.25	24.25	29.25	34.25	39.25	-	-	-
est. weight in lb.- alum	-	-	23	35	46	58	70	82	94	-	-	-
est. weight in lb.- iron	-	-	60	92	124	156	188	220	252	-	-	-

* DIMENSIONS FOR 1 STATION WITH RELIEF CAVITY & GAUGE PORT
 SHADED AREA AVAILABLE ON SPECIAL ORDER ONLY
 NO GAUGE PORT SUPPLIED WITH SINGLE STATION MANIFOLD

PART NUMBER SYSTEM

Aluminum D05 with 3.25" Spacing & SAE Porting example: BA05GPV**SHUAAAA



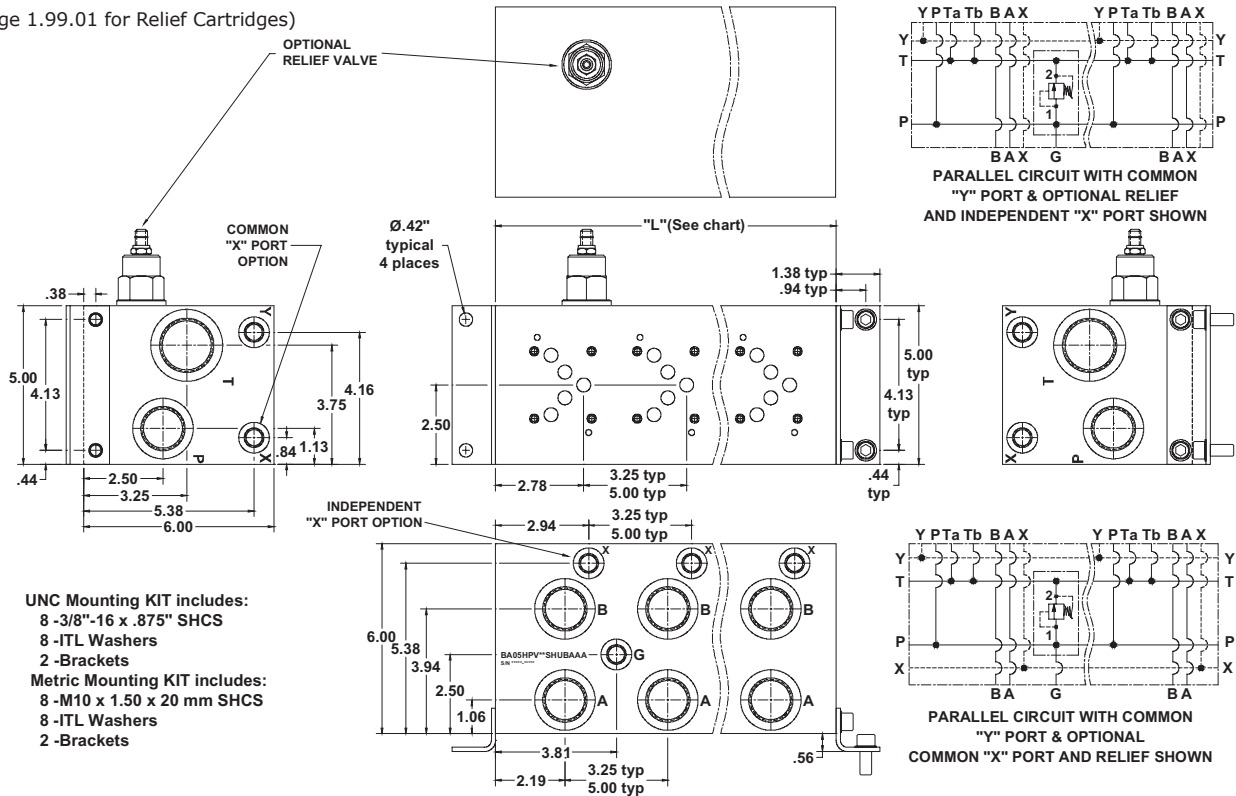
WE RESERVE THE RIGHT TO DISCONTINUE MODELS, OR CHANGE SPECIFICATIONS WITHOUT NOTICE OR INCURRING OBLIGATION

Lynch Products Can Be Modified to Suit Your Application



D05H Very High Flow Parallel Circuit with X&Y

(See Page 1.99.01 for Relief Cartridges)



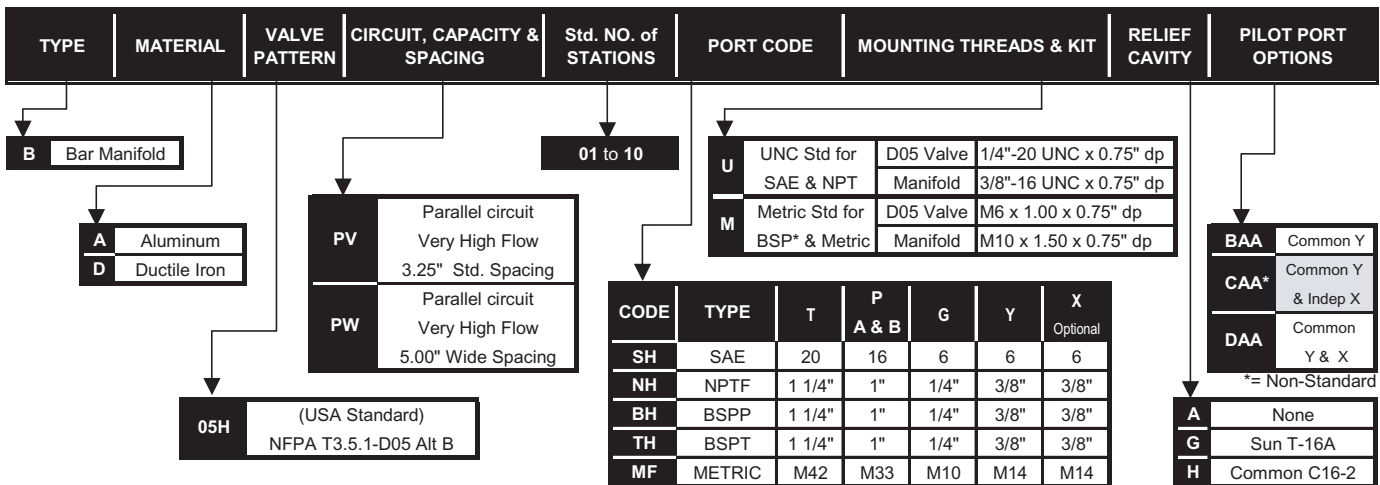
- UNC Mounting KIT includes:**
 8 -3/8"-16 x .875" SHCS
 8 -ITL Washers
 2 -Brackets
- Metric Mounting KIT includes:**
 8 -M10 x 1.50 x 20 mm SHCS
 8 -ITL Washers
 2 -Brackets

No. of Stations	1	1*	2	3	4	5	6	7	8	9	10	11
Dim. "L", 3.25" spacing	4.25	5.50	7.50	10.75	14.00	17.25	20.50	23.75	27.00	30.25	33.50	36.75
est. weight in lb.- alum	13	16	22	31	41	50	59	68	78	87	96	105
est. weight in lb.- iron	33	43	58	83	108	133	158	184	209	234	259	284
Dim. "L", 5.00" spacing	-	-	9.25	14.25	19.25	24.25	29.25	34.25	39.25	-	-	-
est. weight in lb.- alum	-	-	27	41	56	70	84	98	113	-	-	-
est. weight in lb.- iron	-	-	72	110	149	187	226	264	303	-	-	-

* DIMENSIONS FOR 1 STATION WITH RELIEF CAVITY & GAUGE PORT. SHADED AREA AVAILABLE ON SPECIAL ORDER ONLY.
 NO GAUGE PORT SUPPLIED WITH SINGLE STATION MANIFOLD

PART NUMBER SYSTEM

Aluminum D05H with 3.25" Spacing, Common Y & SAE porting example: BA05HPV**SHUBAA



WE RESERVE THE RIGHT TO DISCONTINUE MODELS, OR CHANGE SPECIFICATIONS WITHOUT NOTICE OR INCURRING OBLIGATION

Lynch Products Can Be Modified to Suit Your Application



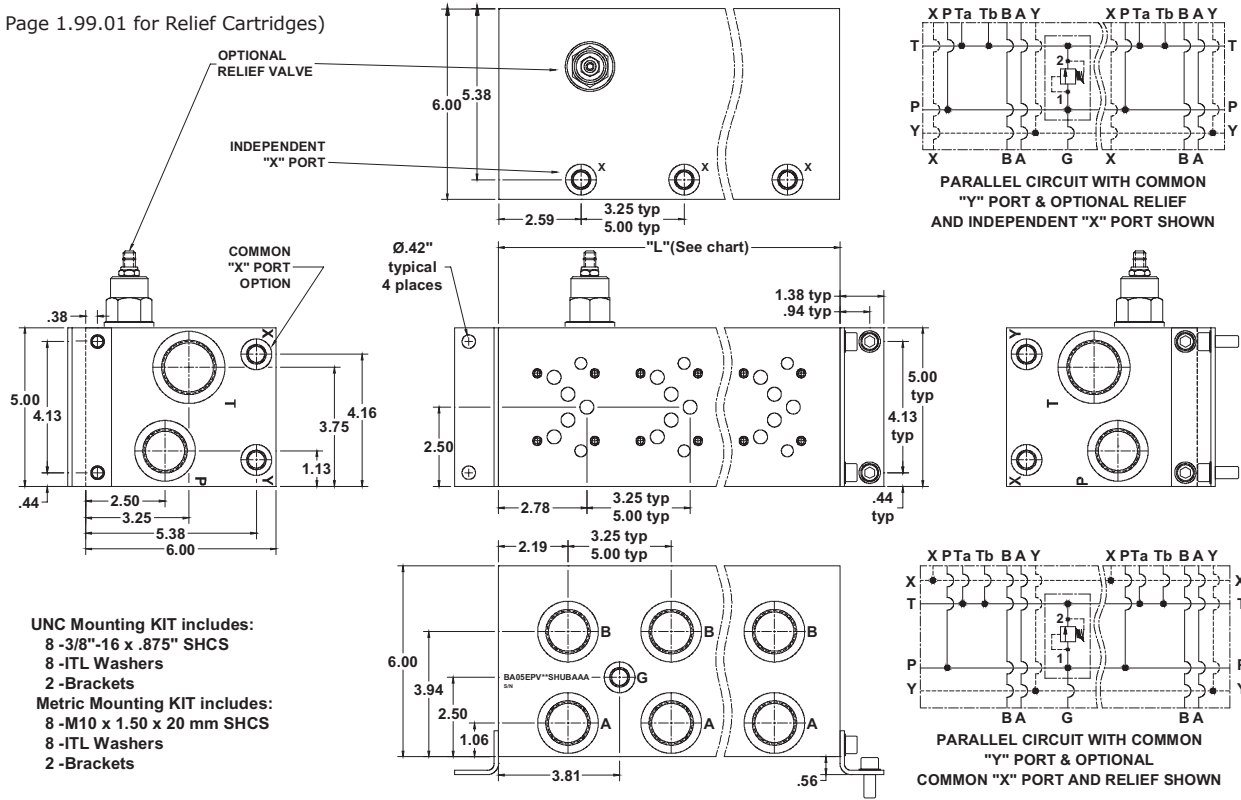
1

BAR MANIFOLDS

Lynch MANIFOLDS & VALVE PACKS

D05HE Very High Flow Parallel Circuit with X&Y

(See Page 1.99.01 for Relief Cartridges)



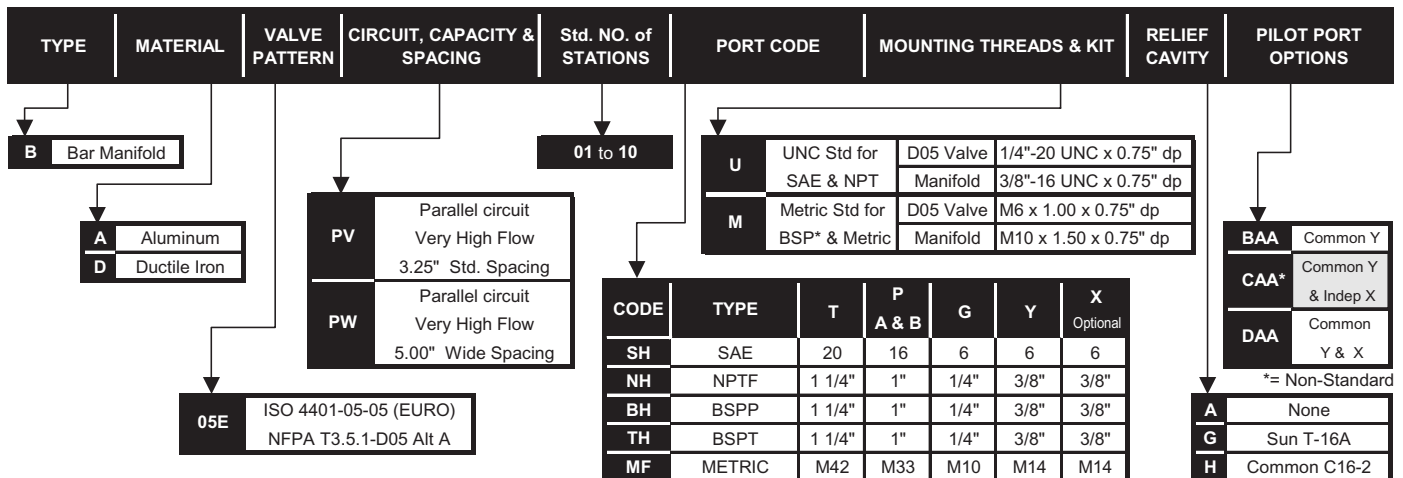
1 BAR MANIFOLDS

No. of Stations	1	1*	2	3	4	5	6	7	8	9	10	11
Dim. "L", 3.25" spacing	4.25	5.50	7.50	10.75	14.00	17.25	20.50	23.75	27.00	30.25	33.50	36.75
est. weight in lb.- alum	13	16	22	31	41	50	59	68	78	87	96	105
est. weight in lb.- iron	33	43	58	83	108	133	158	184	209	234	259	284
Dim. "L", 5.00" spacing	-	-	9.25	14.25	19.25	24.25	29.25	34.25	39.25	-	-	-
est. weight in lb.- alum	-	-	27	41	56	70	84	98	113	-	-	-
est. weight in lb.- iron	-	-	72	110	149	187	226	264	303	-	-	-

* DIMENSIONS FOR 1 STATION WITH RELIEF CAVITY & GAUGE PORT
 DIMENSIONS FOR 1 STATION WITH RELIEF CAVITY & GAUGE PORT
 SHADED AREA AVAILABLE ON SPECIAL ORDER ONLY
 NO GAUGE PORT SUPPLIED WITH SINGLE STATION MANIFOLD

PART NUMBER SYSTEM

Aluminum D05HE with 3.25" Spacing, Common Y and SAE porting example: BA05EPV**SHUABAA



WE RESERVE THE RIGHT TO DISCONTINUE MODELS, OR CHANGE SPECIFICATIONS WITHOUT NOTICE OR INCURRING OBLIGATION

Lynch Products Can Be Modified to Suit Your Application

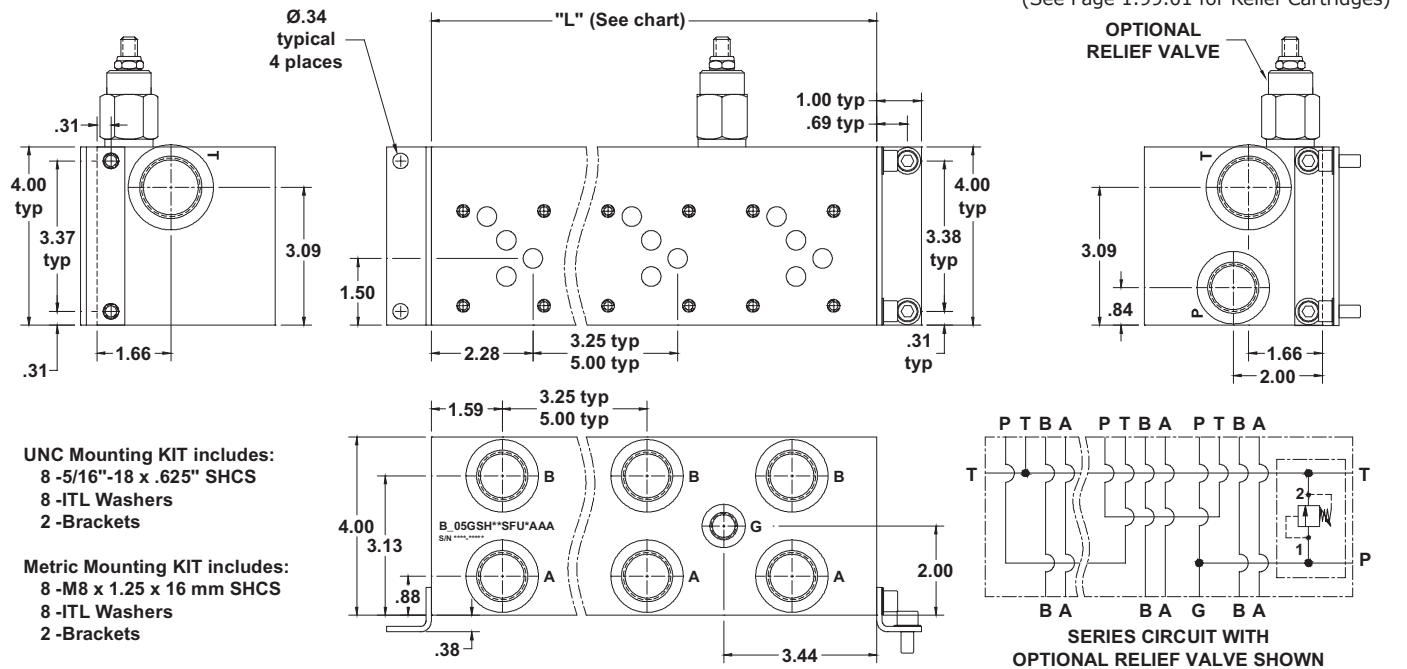


Lynch MANIFOLDS & VALVE PACKS

D05 High Flow Series Circuit Manifold

1

BAR MANIFOLDS

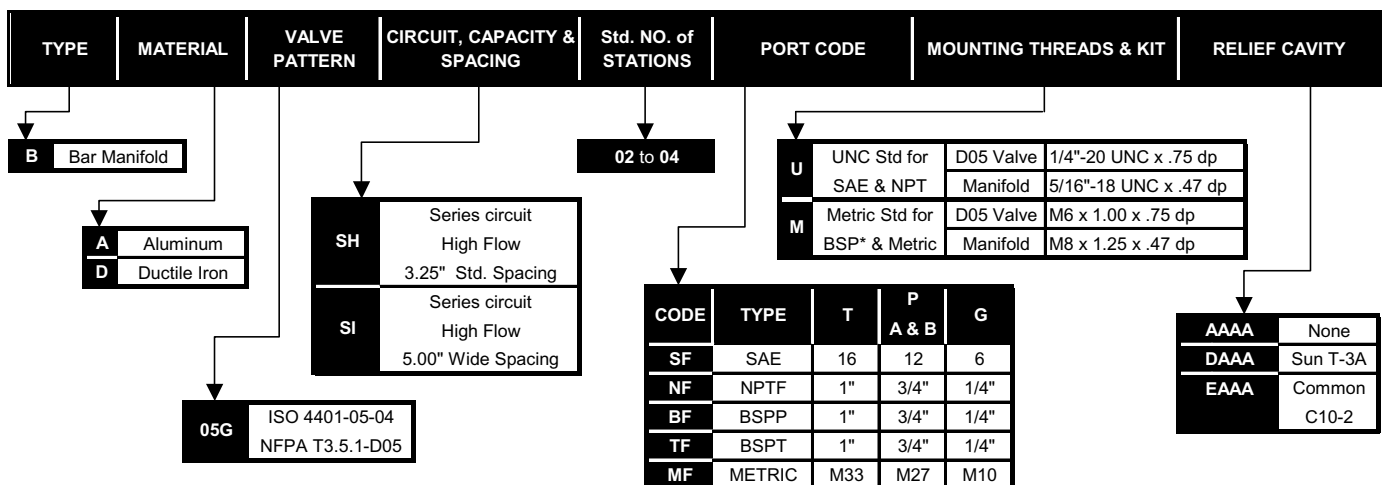


No. of Stations	2	3	4	5	6
Dim. "L", 3.25" spacing	6.75	10.00	13.25	16.50	19.75
est. weight in lb.- alum	10	15	20	25	29
est. weight in lb.- iron	27	40	52	65	78
Dim. "L", 5.00" spacing	8.50	13.50	18.50	23.50	28.50
est. weight in lb.- alum	13	20	27	35	42
est. weight in lb.- iron	34	53	73	92	112

- NOTES:** 1) FOR PILOT PORT OPTIONS SEE D05 BAR MANIFOLD ADAPTER SHEETS ON PAGES 1.03.11 & 1.03.12
 2) P-T MAIN SYSTEM RELIEF AVAILABLE AS A STANDARD OPTION

PART NUMBER SYSTEM

Aluminum D05 with 3.25" spacing and SAE porting example: **BA05GSH**SFUAAAA**

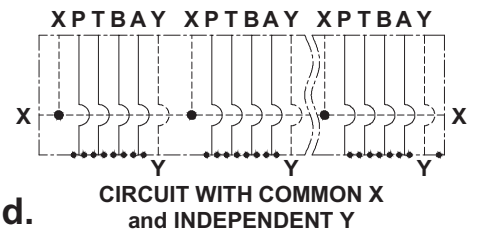
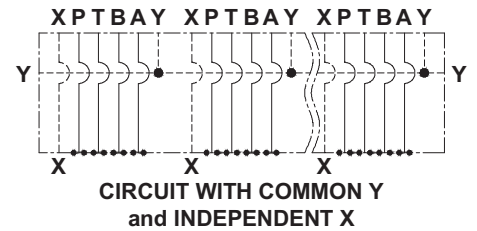
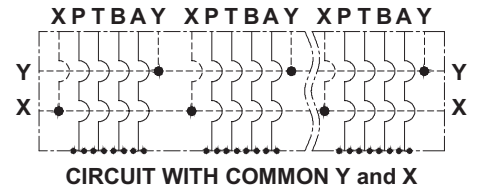
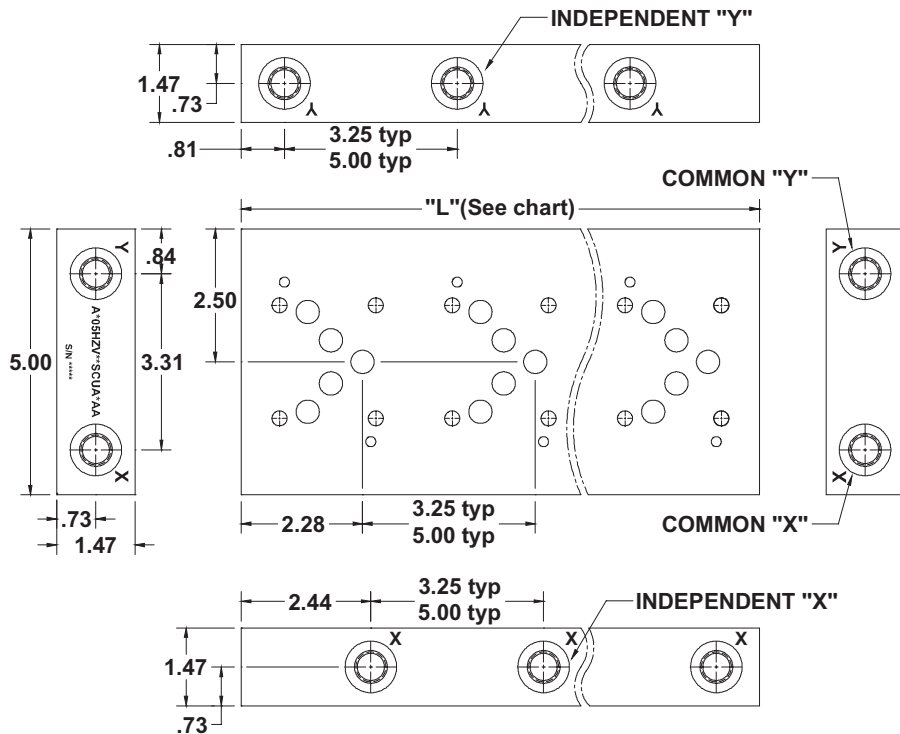


WE RESERVE THE RIGHT TO DISCONTINUE MODELS, OR CHANGE SPECIFICATIONS WITHOUT NOTICE OR INCURRING OBLIGATION

Lynch Products Can Be Modified to Suit Your Application



D05H Pilot Port Adapter for Bar Manifolds



1
BAR
MANIFOLDS

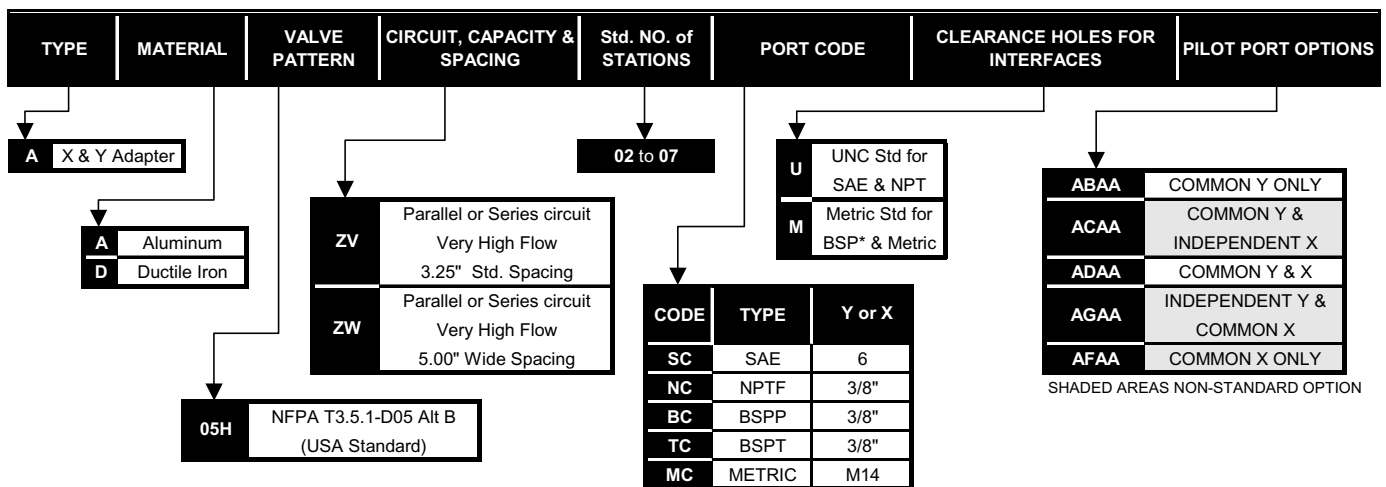
Note: Adapter designed to fit ANY D05 Bar Manifold.

No. of Stations	2	3	4	5	6	7	8	9	10	11	12	13	14	15	16
Dim. "L", 3.25" spacing	6.50	9.75	13.00	16.25	19.50	22.75	26.00	29.25	32.50	35.75	39.00	42.25	45.50	48.75	52.00
est. weight in lb.- alum	4	7	9	11	13	15	18	20	22	24	26	29	31	33	35
est. weight in lb.- iron	12	18	24	30	36	41	47	53	59	65	71	77	83	89	95
Dim. "L", 5.00" spacing	8.25	13.25	18.25	23.25	28.25	33.25	38.25	43.25	48.25	53.25	58.25	63.25	68.25	-	-
est. weight in lb.- alum	6	9	12	16	19	22	26	29	33	36	39	43	46	-	-
est. weight in lb.- iron	15	24	33	42	51	61	70	79	88	97	106	115	124	-	-

SHADED AREA AVAILABLE ON SPECIAL ORDER ONLY

PART NUMBER SYSTEM

Aluminum D05H with 3.25" Spacing, Common Y with SAE Porting example : AA05HZV**SCUABAA



SHADED AREAS NON-STANDARD OPTION

WE RESERVE THE RIGHT TO DISCONTINUE MODELS, OR CHANGE SPECIFICATIONS WITHOUT NOTICE OR INCURRING OBLIGATION

Lynch Products Can Be Modified to Suit Your Application

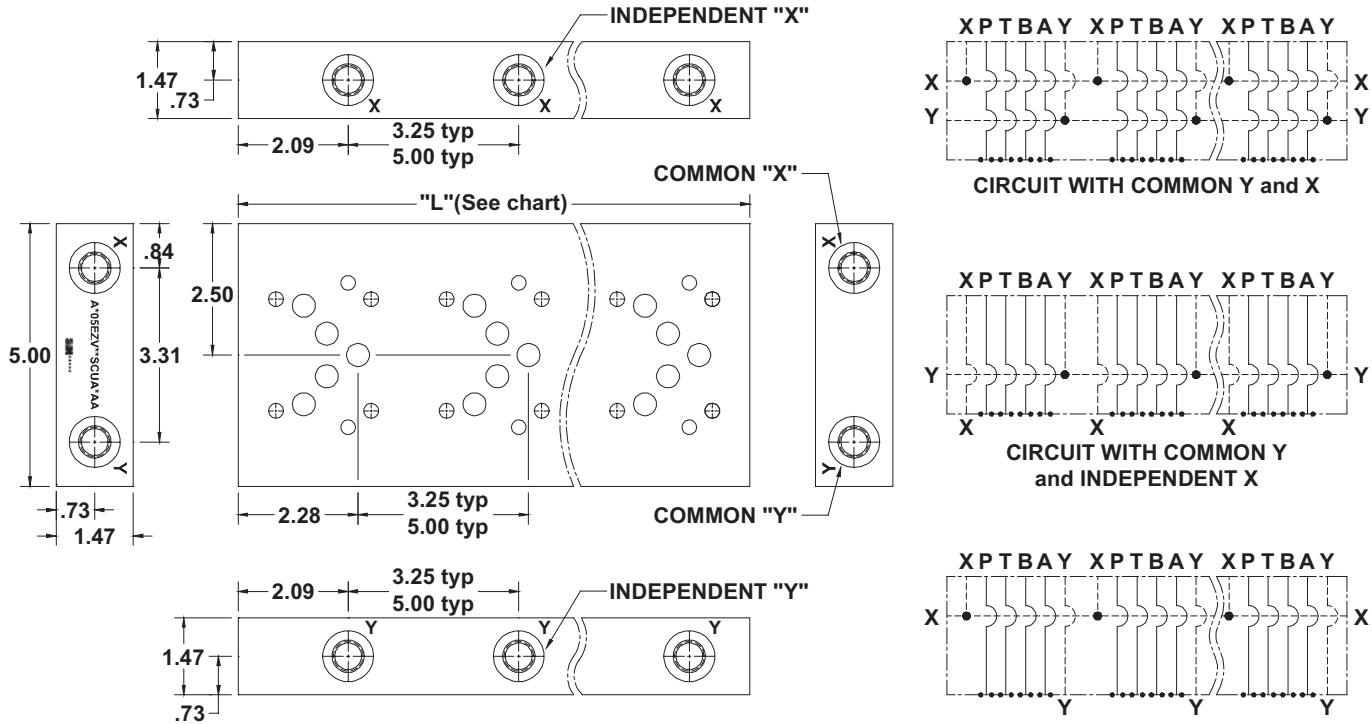


Lynch MANIFOLDS & VALVE PACKS

D05HE Pilot Port Adapter for Bar Manifolds

1

BAR MANIFOLDS



Note: Adapter designed to fit ANY D05 Bar Manifold.

No. of Stations	2	3	4	5	6	7	8	9	10	11	12	13	14	15	16
Dim. "L", 3.25" spacing	6.50	9.75	13.00	16.25	19.50	22.75	26.00	29.25	32.50	35.75	39.00	42.25	45.50	48.75	52.00
est. weight in lb.- alum	4	7	9	11	13	15	18	20	22	24	26	29	31	33	35
est. weight in lb.- iron	12	18	24	30	36	41	47	53	59	65	71	77	83	89	95
Dim. "L", 5.00" spacing	8.25	13.25	18.25	23.25	28.25	33.25	38.25	43.25	48.25	53.25	58.25	63.25	68.25	-	-
est. weight in lb.- alum	6	9	12	16	19	22	26	29	33	36	39	43	46	-	-
est. weight in lb.- iron	15	24	33	42	51	61	70	79	88	97	106	115	124	-	-

SHADED AREA AVAILABLE ON SPECIAL ORDER ONLY

PART NUMBER SYSTEM

Aluminum D05HE with 3.25" Spacing, Common Y with SAE Porting example : AA05EZV**SCUABAA

TYPE	MATERIAL	VALVE PATTERN	CIRCUIT, CAPACITY & SPACING	Std. NO. of STATIONS	PORT CODE	CLEARANCE HOLES FOR INTERFACES	PILOT PORT OPTIONS
A	X & Y Adapter			02 to 07	U UNC Std for SAE & NPT M Metric Std for BSP* & Metric		
A	Aluminum		ZV Parallel or Series circuit Very High Flow 3.25" Std. Spacing				ABAA COMMON Y ONLY
D	Ductile Iron		ZW Parallel or Series circuit Very High Flow 5.00" Wide Spacing				ACAA COMMON Y & INDEPENDENT X
05E	NFPA T3.5.1-D05 Alt A ISO 4401-05-05 (EURO)						ADAA COMMON Y & X
							AGAA INDEPENDENT Y & COMMON X
							AFAA COMMON X ONLY

SHADED AREAS NON-STANDARD OPTION

CODE	TYPE	Y or X
SC	SAE	6
NC	NPTF	3/8"
BC	BSPP	3/8"
TC	BSPT	3/8"
MC	METRIC	M14

WE RESERVE THE RIGHT TO DISCONTINUE MODELS, OR CHANGE SPECIFICATIONS WITHOUT NOTICE OR INCURRING OBLIGATION

Lynch Products Can Be Modified to Suit Your Application

