

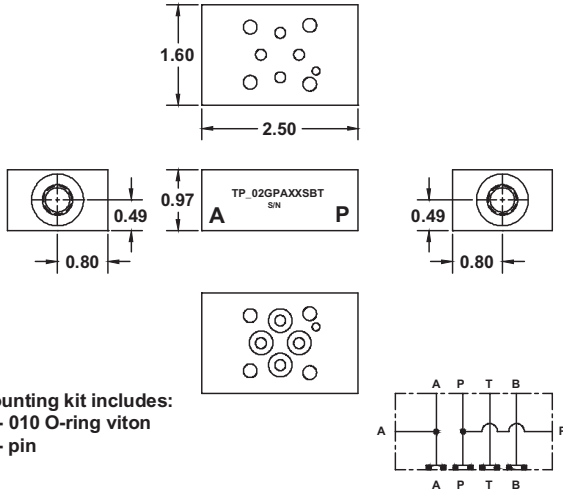
# Lynch MANIFOLDS & VALVE PACKS

## D02 Tapping Plates

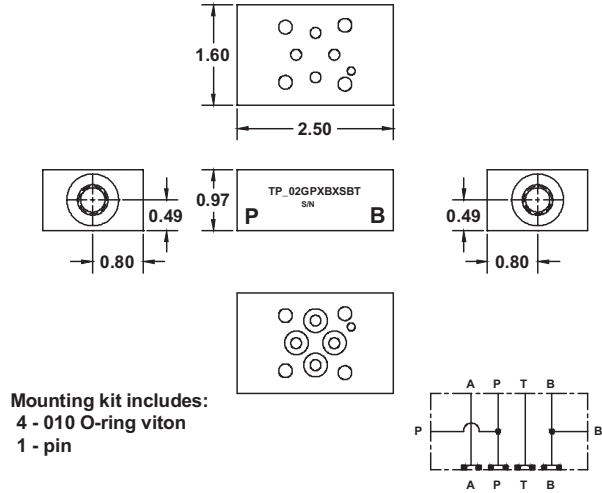
2

TAPPING PLATES

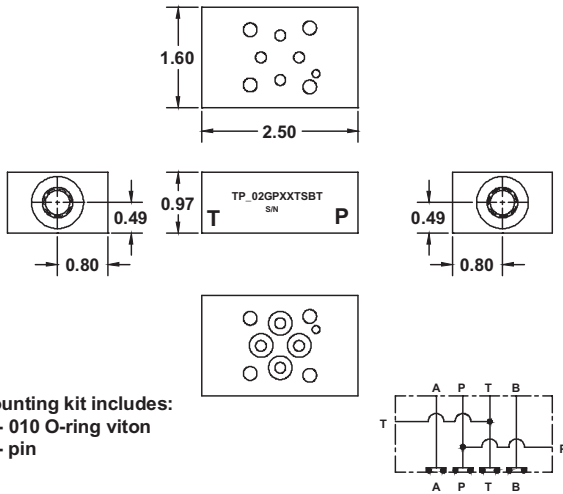
Circuit - "PAXX"



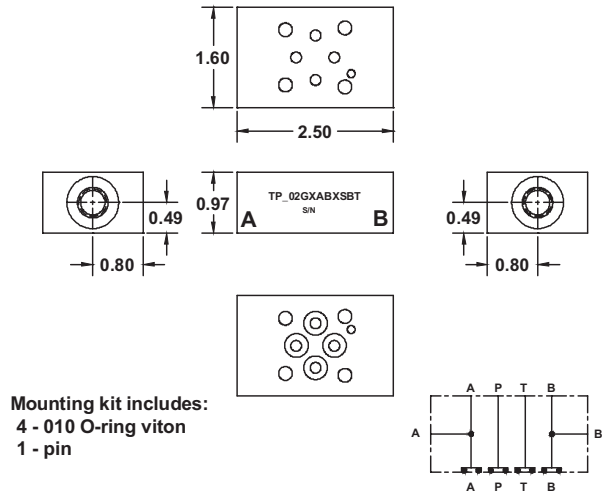
Circuit - "PXBX"



Circuit - "PXXT"

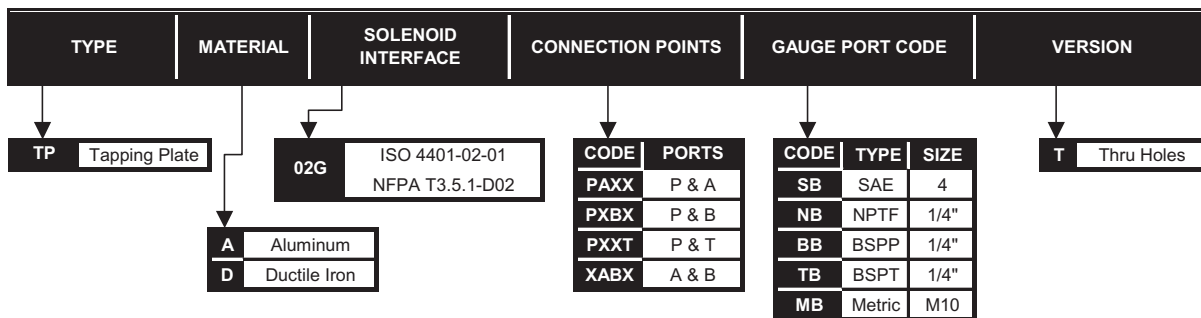


Circuit - "XABX"



### PART NUMBER SYSTEM

Aluminum D02 Tapping Plate with SAE 4 Gauge Ports on A & B Example : **TPA02GXABXS**



WE RESERVE THE RIGHT TO DISCONTINUE MODELS, OR CHANGE SPECIFICATIONS WITHOUT NOTICE OR INCURRING OBLIGATION

Lynch Products Can Be Modified to Suit Your Application

