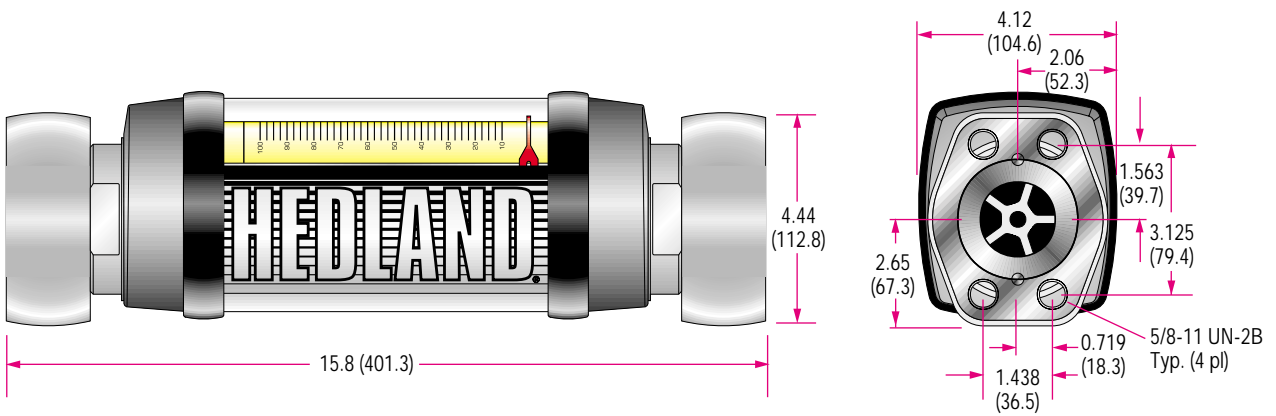
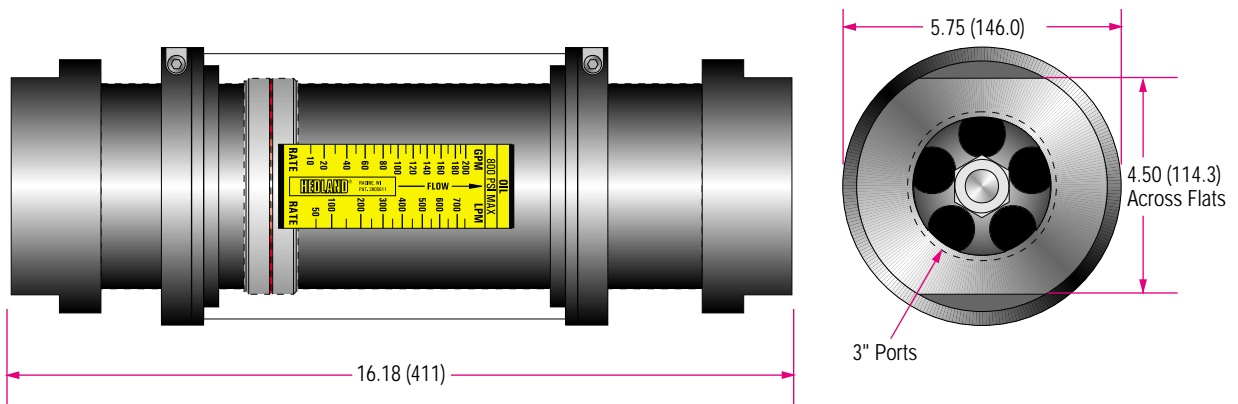


Dimensional Information For 1-1/2-inch C62, 3-inch and 3-inch C61

1-1/2-inch, C62 Flange



3-inch, SAE, NPTF, BSPP



3-inch, C61 Flange

