

# 'PC2H' Pressure Comp

**Metered flow within  $\pm 5\%$ ; 1/4" to 1" sizes; Free opposite flow; Carbon Steel body for 3,000 PSI working pressure**



DMIC's 'PC2H' acts as a "smart" needle valve, maintaining regulated flow within  $\pm 5\%$  of the user setting upon inlet and outlet pressure fluctuation. Free opposite flow. Made in U.S.A. for rapid delivery.

- ☑ DMIC's 'ChromaFlow' color-coded design facilitates initial calibration, system documentation, and restoration of correct settings if required
- ☑ Designed for **3,000 PSI maximum operating pressure**, can operate at higher working pressure with loss of regulation precision (call DMIC)
- ☑ **Optional security knob** (append suffix '/LHS') permanently fixes valve flow setting for tamper resistance and "goof-proofing"
- ☑ For OEM production quantities, **optional "fine" needle profile** available
- ☑ **Quality construction**, premium ergonomics, and superb aesthetics show your system is built to a "quality standard", not a "price" standard

2-Way Pressure Compensated Flow Control Part No.	Nominal Size	Port Thread	PERFORMANCE DATA		DIMENSIONS (inches, mm)					Lbs. kg
			Minimum Flow GPM (l/m)	Maximum Flow GPM (l/m)	A	B	C	D	E	
PC2H-0250N	1/4"	1/4" NPTF	0.3 GPM	3 GPM	2.04	1.38	2.97	3.62	0.81	1.0
PC2H-0250B		1/4" BSPP	1 l/m	11 l/m	51,8	35,1	75,4	91,9	20,6	0,4
PC2H-0375N	3/8"	3/8" NPTF	0.6 GPM	6 GPM	2.43	1.50	3.47	4.16	1.00	1.5
PC2H-0375B		3/8" BSPP	2 l/m	23 l/m	61,7	38,1	88,1	105,7	25,4	0,7
PC2H-0375S		#6 SAE	0.3 GPM	3 GPM	2.04	1.38	2.97	3.62	0.81	1.0
PC2H-0375IU		16mm ISO6149	1 l/m	11 l/m	51,8	35,1	75,4	91,9	20,6	0,4
PC2H-0500N	1/2"	1/2" NPTF	1.5 GPM	15 GPM	3.17	1.75	4.06	4.94	1.18	2.6
PC2H-0500B		1/2" BSPP	6 l/m	57 l/m	80,5	44,5	103,1	125,5	30,0	1,2
PC2H-0500S		#8 SAE	0.6 GPM	6 GPM	2.43	1.50	3.47	4.16	1.00	1.5
PC2H-0500IU		18mm ISO6149	2 l/m	23 l/m	61,7	38,1	88,1	105,6	25,4	0,7
PC2H-0625S	5/8"	#10 SAE	1.5 GPM	15 GPM	3.17	1.75	4.06	4.94	1.18	2.6
PC2H-0625IU		22mm ISO6149	6 l/m	57 l/m	80,5	44,5	103,1	125,5	30,0	1,2
PC2H-0750N	3/4"	3/4" NPTF	2.5 GPM	25 GPM	3.93	2.25	4.79	5.88	1.38	5.0
PC2H-0750B		3/4" BSPP			99,8	57,2	121,7	149,2	34,9	2,3
PC2H-0750S		#12 SAE			3.93	2.25	4.79	5.88	1.38	5.0
PC2H-0750IU		27mm ISO6149			99,8	57,2	121,7	149,2	34,9	2,3
PC2H-1000N	1"	1" NPTF	5 GPM	50 GPM	5.52	2.75	5.63	6.94	1.88	10
PC2H-1000B		1" BSPP			140,2	69,9	143,0	176,3	47,6	4,5
PC2H-1000S		#16 SAE			5.52	2.75	5.63	6.94	1.88	10
PC2H-1000IU		33mm ISO6149			140,2	69,9	143,0	176,3	47,6	4,5

- NOTES:
- (1) Typical flows quoted in U.S. GPM, using 100 SUS Petroleum Based Fluid at 100°F
  - (2) This model does NOT incorporate a reverse flow check, for 1-way select model 'PC1H', page 12
  - (3) Manifold mount version available for OEM production quantity orders, call DMIC
  - (4) For production qty. orders, non-adjustable versions factory preset to Buyer's flow setting are available
  - (5) 'PC1H' and 'PC2H' valves require a minimum pressure differential between the inlet and outlet ports for correct operation. For sizes below 1/2", 107.5 PSI (7 Bar) is required; larger sizes require 159.5 PSI (11 Bar)



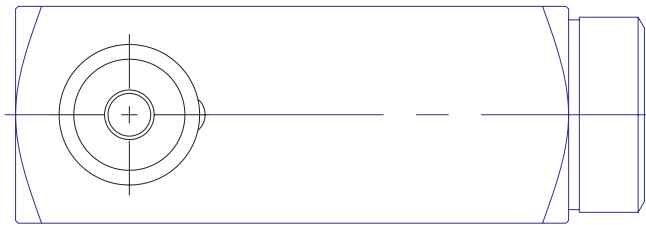
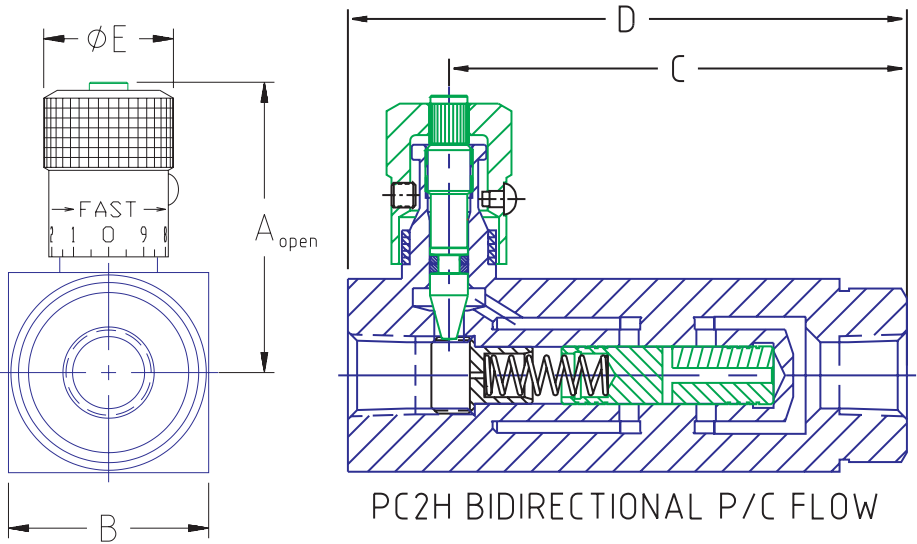


# 'PC2H' Dimensions & Flow Curves

This valve series is factory sealed and disassembly will destroy the valve and void the warranty. Due to our policy of continual product improvement, specifications may change without notice. When designing by spec, please request a certified print.

## 'PC2H' Pressure Comp. FCV Physical Parameters

VALVE BODY:	Carbon Steel
POPPET:	Stainless Steel
SEALING:	Buna-N Standard
WORKING PSI (1/8-3/4"):	3,000 PSI (140 Bar)
SAFETY FACTOR:	Minimum 3:1
RETURN FLOW CHECK:	Absent in PC2H
CHECK VALVE SETTING:	N/A
TEMP RANGE:	-5°F/195°F (-20°C/90°C)



## Ordering Codes for 'PC2H' Pressure Compensated Valves

PC 2H - 0500 N /LHS

### MODEL:

- 1H: Steel, 1-Way Pressure Comp.
- 2H: Steel, 2-Way Pressure Comp.

### NOMINAL SIZE:

Expressed in 1/1000ths inch.  
Example: 0375 = 3/8", 1 1/2 = 1500

### INLET PORT THREAD:

- Standard US/Canada:
- N: NPTF
- S: SAE ORB

### Metric Standard:

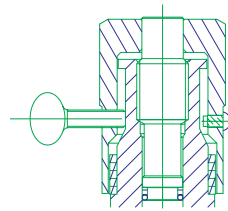
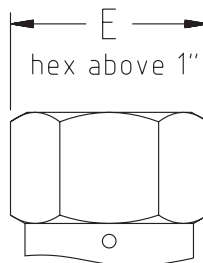
- B: BSPP

### Optional Threads (Call DMIC):

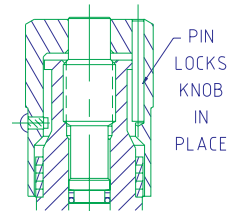
- B: BSPP
- T: BSPT
- IU: ISO6149

### EASY ORDER OPTIONS:

/LHS Security (Permanent) Locking Knob



FINGER SCREW OPTION  
Specify option "/LH"



TAMPERPROOF OPTION  
Specify option "/LHS"

