

'PC1H' Pressure Comp

**Unidirectional metered flow with Check Valve; 1/4" to 1";
Carbon Steel body for working pressures to 3,000 PSI**



The updated 'PC1H' continues to maintain flow regulated within $\pm 5\%$ of the user setting upon inlet and outlet pressure fluctuation.

- ☑ DMIC's '**ChromaFlow**' color-coded design facilitates initial calibration, system documentation, and restoration of correct settings if required
- ☑ Designed for **3,000 PSI maximum operating pressure**, can operate at higher working pressure with loss of regulation precision (call DMIC)
- ☑ **Integral 5 PSI poppet check valve** provides free return flow
- ☑ **Optional security knob** (append suffix '/LHS') permanently fixes valve flow setting for tamper resistance and "goof-proofing"
- ☑ For OEM production quantities, **optional "fine" needle profile** available
- ☑ **Quality construction**, premium ergonomics, and superb aesthetics show your system is built to a "quality standard", not a "price" standard

1-Way Pressure Compensated Flow Control Part No.	Nominal Size	Port Thread	PERFORMANCE DATA				DIMENSIONS (inches, mm)					
			METERED DIRECTION FLOW RANGE		REVERSE FLOW CHARACTERISTICS		A	B	C	D	E	Lbs. kg
			Minimum Flow GPM (l/m)	Maximum Flow GPM (l/m)	Maximum Reverse Flow GPM (l/m)	P at Maximum Reverse Flow						
PC1H-0250N	1/4"	1/4" NPTF	0.3 GPM	3 GPM	5 GPM	40 PSI	2.04	1.38	2.97	3.62	0.81	1.0
PC1H-0250B		1/4" BSPP	1 l/m	11 l/m	19 l/m	3 Bar	51,8	35,1	75,4	91,9	20,6	0,4
PC1H-0375N	3/8"	3/8" NPTF	0.6 GPM	6 GPM	8 GPM	40 PSI	2.43	1.50	3.47	4.16	1.00	1.5
PC1H-0375B		3/8" BSPP	2 l/m	23 l/m	30 l/m	3 Bar	61,7	38,1	88,1	105,7	25,4	0,7
PC1H-0375S		#6 SAE	0.3 GPM	3 GPM	5 GPM	40 PSI	2.04	1.38	2.97	3.62	0.81	1.0
PC1H-0375IU		16mm ISO6149	1 l/m	11 l/m	19 l/m	3 Bar	51,8	35,1	75,4	91,9	20,6	0,4
PC1H-0500N	1/2"	1/2" NPTF	1.5 GPM	15 GPM	20 GPM	110 PSI	3.17	1.75	4.06	4.94	1.18	2.6
PC1H-0500B		1/2" BSPP	6 l/m	57 l/m	76 l/m	7,6 Bar	80,5	44,5	103,1	125,5	30,0	1,2
PC1H-0500S		#8 SAE	0.6 GPM	6 GPM	8 GPM	40 PSI	2.43	1.50	3.47	4.16	1.00	1.5
PC1H-0500IU		18mm ISO6149	2 l/m	23 l/m	30 l/m	3 Bar	61,7	38,1	88,1	105,7	25,4	0,7
PC1H-0625S	5/8"	#10 SAE	1.5 GPM	15 GPM	20 GPM	110 PSI	3.17	1.75	4.06	4.94	1.18	2.6
PC1H-0625IU		22mm ISO6149	6 l/m	57 l/m	76 l/m	7,6 Bar	80,5	44,5	103,1	125,5	30,0	1,2
PC1H-0750N	3/4"	3/4" NPTF	2.5 GPM 10 l/m	25 GPM 95 l/m	35 GPM 133 l/m	120 PSI 8,3 Bar	3.93	2.25	4.79	5.88	1.38	5.0
PC1H-0750B		3/4" BSPP					99,8	57,2	121,7	149,2	34,9	2,3
PC1H-0750S		#12 SAE					3.93	2.25	4.79	5.88	1.38	5.0
PC1H-0750IU		27mm ISO6149					99,8	57,2	121,7	149,2	34,9	2,3
PC1H-1000N	1"	1" NPTF	5 GPM 19 l/m	50 GPM 190 l/m	60 GPM 228 l/m	140 PSI 9,7 Bar	5.52	2.75	5.63	6.94	1.88	10
PC1H-1000B		1" BSPP					140,2	69,9	143,0	176,3	47,6	4,5
PC1H-1000S		#16 SAE					5.52	2.75	5.63	6.94	1.88	10
PC1H-1000IU		33mm ISO6149					140,2	69,9	143,0	176,3	47,6	4,5

- NOTES:
- (1) Typical flows quoted in U.S. GPM, using 100 SUS Petroleum Based Fluid at 100°F
 - (2) This model incorporates a reverse flow check - for 2-way compensation select model 'PC2H', page 14
 - (3) Manifold mount version available for OEM production quantity orders, call DMIC
 - (4) For production qty. orders, non-adjustable versions factory preset to Buyer's flow setting are available
 - (5) 'PC1H' and 'PC2H' valves require a minimum pressure differential between the inlet and outlet ports for correct operation. For sizes below 1/2", 107.5 PSI (7 Bar) is required; larger sizes require 159.5 PSI (11 Bar)





'PC1H' Dimensions & Flow Curves

This valve series is factory sealed and disassembly will destroy the valve and void the warranty. Due to our policy of continual product improvement, specifications may change without notice. When designing by spec, please request a certified print.

'PC1H' Pressure Comp. FCV Physical Parameters

VALVE BODY:	Carbon Steel
POPPET:	Stainless Steel
SEALING:	Buna-N Standard
WORKING PSI (1/8-3/4"):	3,000 PSI (140 Bar)
SAFETY FACTOR:	Minimum 3:1
RETURN FLOW CHECK:	Present
CHECK VALVE SETTING:	5 PSI (0,35 Bar)
TEMP RANGE:	-5°F/195°F (-20°C/90°C)

Ordering Codes for 'PC1H' Pressure Compensated Valves

PC 1H - 0500 N /LHS

MODEL:

- 1H: Steel, 1-Way Pressure Comp.
- 2H: Steel, 2-Way Pressure Comp.

NOMINAL SIZE:

Expressed in 1/1000ths inch.
Example: 0375 = 3/8", 1 1/2 = 1500

INLET PORT THREAD:

Standard US/Canada:

- N: NPTF
- S: SAE ORB

Metric Standard:

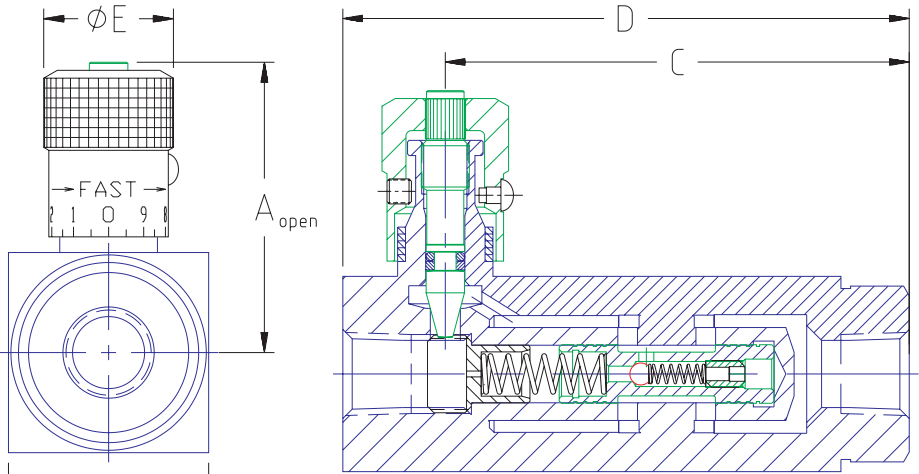
- B: BSPP

Optional Threads (Call DMIC):

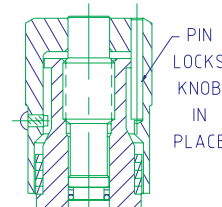
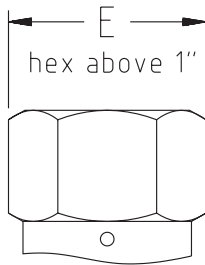
- B: BSPP
- T: BSPT
- IU: ISO6149

EASY ORDER OPTIONS:

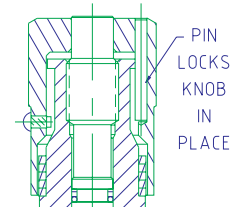
- /LHS Security (Permanent) Locking Knob
- /LH Finger Screw Locking Knob



PC1H WITH REVERSE FLOW CHECK



TAMPERPROOF OPTION Specify option "/LHS"



TAMPERPROOF OPTION Specify option "/LHS"

