

# 'NV2M' Needle Valves

**Bidirectional Metered Flow (no check); 1/8" to 1";  
Brass barstock body for working pressures to 2,000 PSI**



Buyers of DMIC's previous 'NV2M' model will be impressed with the quality, pricing, and deliveries of the updated design ! Dual taper needle provides fine metering at low flows and rapid response at higher flows. At DMIC, cost reduction doesn't mean cutting quality.

- ☑ DMIC's '**ChromaFlow**' color-coded design facilitates initial calibration, system documentation, and restoration of correct settings if required
- ☑ Brass body, designed for **2,000 PSI maximum operating pressure**
- ☑ **Optional security knob** (append suffix '/LHS') permanently fixes valve flow setting for tamper resistance and "goof-proofing"
- ☑ For OEM production quantities, **optional "fine" needle profile** available
- ☑ **Quality construction**, premium ergonomics, and superb aesthetics show your system is built to a "quality standard", not a "price" standard

Needle Valve Part No.	Nominal Size	Port Thread	PERFORMANCE DATA				DIMENSIONS (inches, mm)				
			Working Pressure	Flow GPM <sup>1</sup>	Orifice (sq.in., mm <sup>2</sup> )	Effective C <sub>v</sub>	A	B	C	D	Lbs. kg
NV2M-0125N	1/8"	1/8" NPTF	2,000 PSI	3 GPM	0.0102	0.230	1.54	1.50	0.63	0.75	0.3
NV2M-0125B		1/8" BSPP	138 Bar	11 l/m	6,58		39,1	38,1	15,9	19,1	0,1
NV2M-0250N	1/4"	1/4" NPTF	2,000 PSI	5 GPM	0.0194	0.443	1.79	2.00	0.81	0.81	0.5
NV2M-0250B		1/4" BSPP	138 Bar	19 l/m	12,52		45,5	50,8	20,6	20,6	0,2
NV2M-0375N	3/8"	3/8" NPTF	2,000 PSI	8 GPM	0.0344	0.787	2.18	2.50	1.00	1.00	0.9
NV2M-0375B		3/8" BSPP					55,4	63,5	25,4	25,4	0,36
NV2M-0375S		#6 SAE					1.88	2.38	1.00	0.81	0.7
NV2M-0375IU		16mm ISO6149					47,7	60,3	25,4	20,6	0,28
NV2M-0500N	1/2"	1/2" NPTF	2,000 PSI	15 GPM	0.0427	0.976	2.70	2.63	1.25	1.19	1.4
NV2M-0500B		1/2" BSPP					68,6	66,7	31,8	30,2	0,56
NV2M-0500S		#8 SAE					2.24	3.00	1.13	1.00	1.1
NV2M-0500IU		18mm ISO6149					56,9	76,2	28,6	25,4	0,44
NV2M-0625S	5/8"	#10 SAE	2,000 PSI	15 GPM	0.0427	0.976	2.70	3.50	1.25	1.19	1.3
NV2M-0625IU		22mm ISO6149	138 Bar	57 l/m	27,54		68,6	88,9	31,8	30,2	0,52
NV2M-0750N	3/4"	3/4" NPTF	2,000 PSI	25 GPM	0.1080	2.470	3.38	3.25	1.50	1.38	2.3
NV2M-0750B		3/4" BSPP					85,9	82,6	38,1	35,1	1,1
NV2M-0750S		#12 SAE					3.38	4.00	1.50	1.38	2.3
NV2M-0750IU		27mm ISO6149					85,9	101,6	38,1	35,1	1,1
NV2M-1000N	1"	1" NPTF	500 PSI	40 GPM	0.2300	5.250	4.87	4.25	1.75	1.88	4.7
NV2M-1000B		1" BSPP					123,7	108,0	44,5	47,8	2,2
NV2M-1000S		#16 SAE			0.3070	7.000	5.14	4.25	2.25	1.88	4.7
NV2M-1000IU		33mm ISO6149			198,7		130,6	108,0	57,2	47,8	2,2

NOTES: (1) Typical flows quoted in U.S. GPM, using 100 SUS Petroleum Based Fluid at 100°F



This valve series is factory sealed and disassembly will destroy the valve and void the warranty. Due to our policy of continual product improvement, specifications may change without notice. When designing by spec, please request a certified print.

## 'NV2M' Brass Needle Valve Physical Parameters

VALVE BODY:	Brass Barstock
POPPET:	None
SEALING:	Buna-N Standard
WORKING PSI (1/8-3/4"):	2,000 PSI (140 Bar)
WORKING PSI (1"):	500 PSI (34,5 Bar)
SAFETY FACTOR:	Minimum 3:1
RETURN FLOW CHECK:	Not Present
TEMP RANGE:	-5°F/195°F (-20°C/90°C)

## Ordering Codes for 'NV2M' Precision Needle Valves

NV2 M - 0375 S /LHS

### MODEL:

M: Brass, to 2000 PSI  
H: Steel, to 5000 PSI

### NOMINAL SIZE:

Expressed in 1/1000ths inch.  
Example: 0375 = 3/8", 1 1/2 = 1500

### INLET PORT THREAD:

Standard US/Canada:  
N: NPTF  
S: SAE ORB

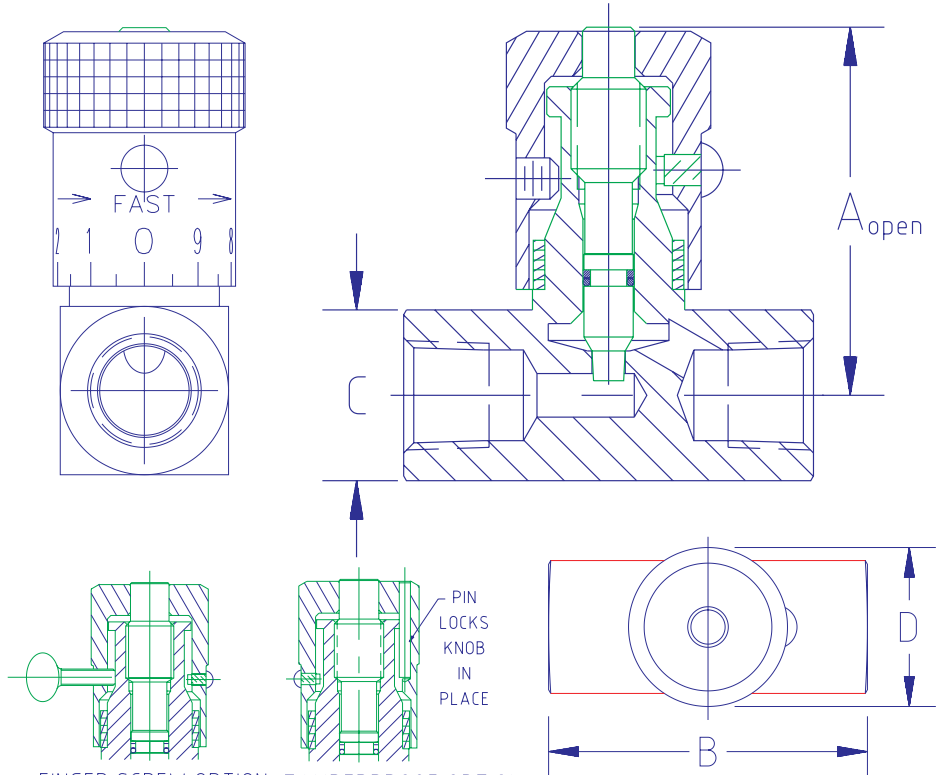
Metric Standard:  
B: BSPP

### Optional Threads (Call DMIC):

B: BSPP  
T: BSPT  
IU: ISO6149

### EASY ORDER OPTIONS:

/LHS Security (Permanent) Locking Knob  
/LH Finger Screw Locking Knob  
/FN Fine Metering Needle Option



FINGER SCREW OPTION Specify option "/LH"  
TAMPERPROOF OPTION Specify option "/LHS"

